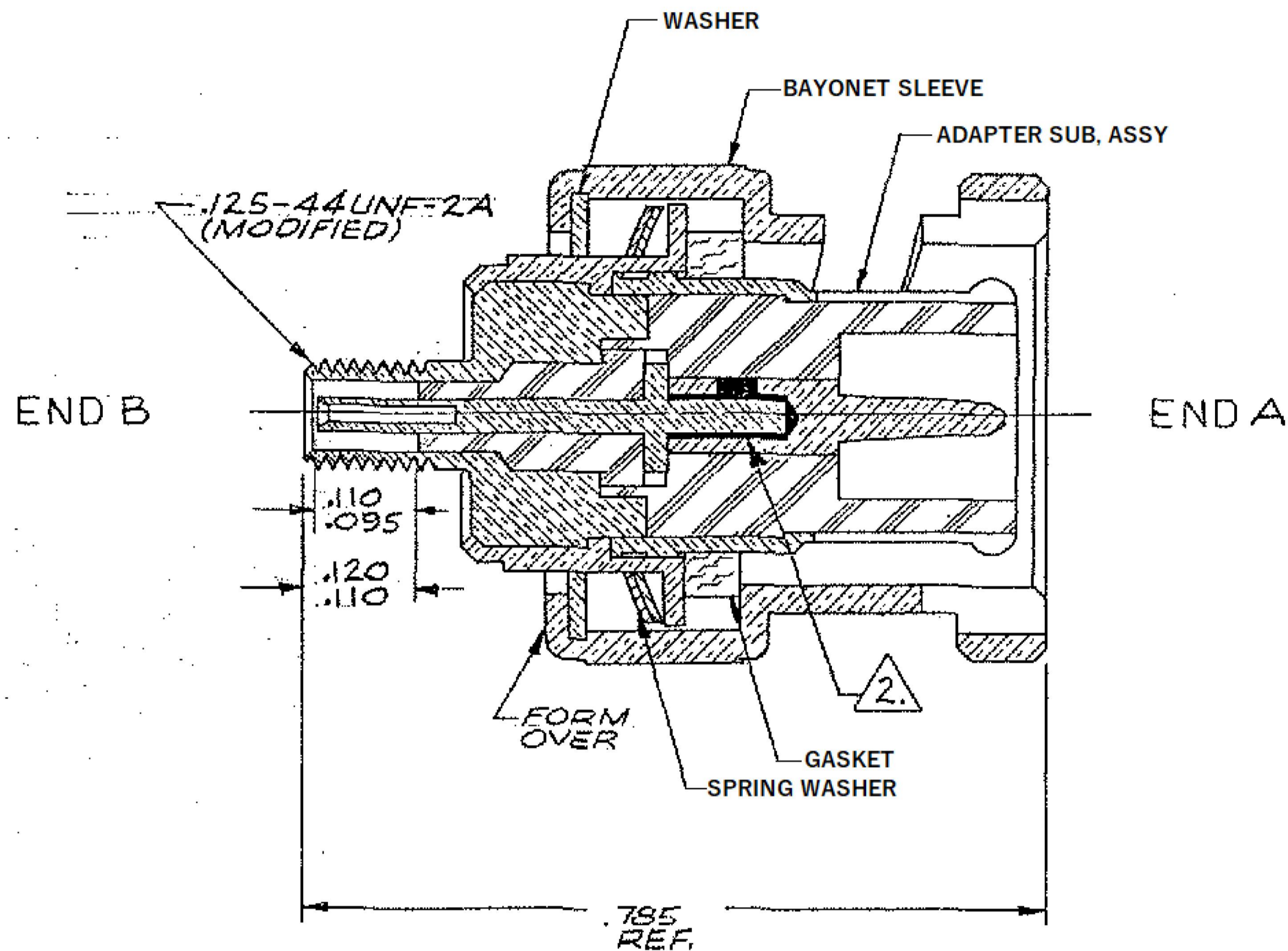


These drawings and specifications are the property of Microdot Inc. and shall not be divulged, reproduced or copied, or used as the basis for the manufacture or sale of any article without written permission of Microdot Inc.

REVISIONS	



JURISDICTION	EAR
CLASSIFICATION	EAR99
DATE OF MARKING	28NOV2021

THIS DOCUMENT CONTAINS CONTROLLED TECHNICAL DATA SUBJECT TO THE EXPORT ADMINISTRATION REGULATIONS (EAR). VIOLATIONS OF THESE EXPORT LAWS AND REGULATIONS ARE SUBJECT TO CIVIL AND CRIMINAL PENALTIES.

- NOTES: (UNLESS OTHERWISE SPECIFIED)
- MATES WITH:
  - END A - ALL BNC JACKS AND RECEPTACLES
  - END B - ALL LEPPRA/CON 142 SCREW-ON SERIES PLUGS.
  - SOCKET CONTACT IS SOLDERED TO PIN CONTACT.
  - SILVER PLATE .0002 MIN.
  - GOLD PLATE PER MIL-G-45204, TYPE II, GRADE C, CLASS I.

ASSEMBLY	NO REQ'D	LET	ECO	REVISION DESCRIPTION	BY	DATE	APP
				REV PER ECN-21-117888	JAB	28/11/21	EH
				327681 WAS 0034356-0001	AW	5/16	AW
				1-331347-2 WAS 003-1352-0001	EH	1-11-80	EH
				.110/.055 WAS .110/.090	EH	8/1	EH
				ITEM 3, QTY WAS 1, 3	HG	7/28	PL
				ADD: NOTE A, B, C. SEE ECN FOR OTHER CHANGES.			
				REV. LETTER UP DATED			
				RELEASED FOR PROD.			

STANDARD TOLERANCES UNLESS OTHERWISE SPECIFIED DEC. ± .015 FRAC. ± ANGLES ± ECCENTRICITY MAX. T.I.R. HOLE DIA. ± SURFACE ROUGHNESS MICRO INCHES THREADS TO MIL-S-7742 COMMERCIAL TOLERANCES APPLY TO STOCK DIMENSIONS	<b>MALCO</b> A MICRODOT COMPANY, INC. 220 PASADENA AVE., SO. PASADENA, CAL	SURFACE TREATMENT <b>NOTED</b>	MATERIAL <b>NOTED</b>	APP APP CHECKED BY DRAWN BY U. N. [Signature] SCALE 5/1 WT DATE 10/22/16
ADAPTER, BNC PLUG TO LEPPRA/CON SCREW-ON RECEPTACLE		PROD CODE 946	DRAWING NUMBER 143-0002-0001 F	

DIETERICH-POST CLEARPRINT 1000H-10

TYCO CUSTOMER NUMBER 2-1532223-1

DIMENSIONS:	TOLERANCES UNLESS OTHERWISE SPECIFIED:	CHK	APVD	NAME
1.0	0 PLC ±.1			ADAPTER, BNC PLUG TO LEPPRA/CON SCREW-ON RECEPTACLE
	1 PLC ±.1			PRODUCT SPEC
	2 PLC ±.01			APPLICATION SPEC
	3 PLC ±.001			WEIGHT
	4 PLC ±.0001			CUSTOMER DRAWING
	ANGLES ±.0001			SIZE CAGE CODE DRAWING NO
	FINISH			A 00779 C-2-1532223-1
MATERIAL TBD	FINISH finish_spec.2			RESTRICTED TO
				DRAWING SCALE 1 OF 1 REV F