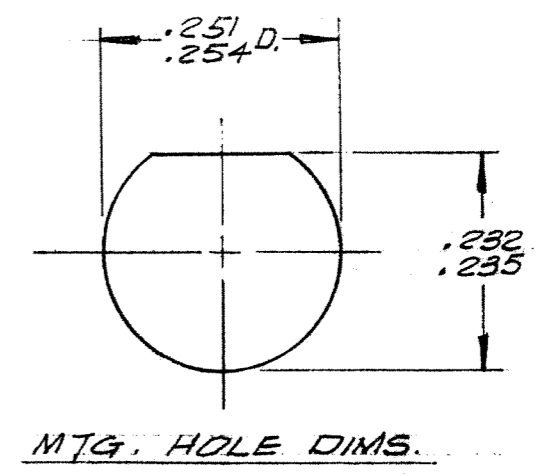
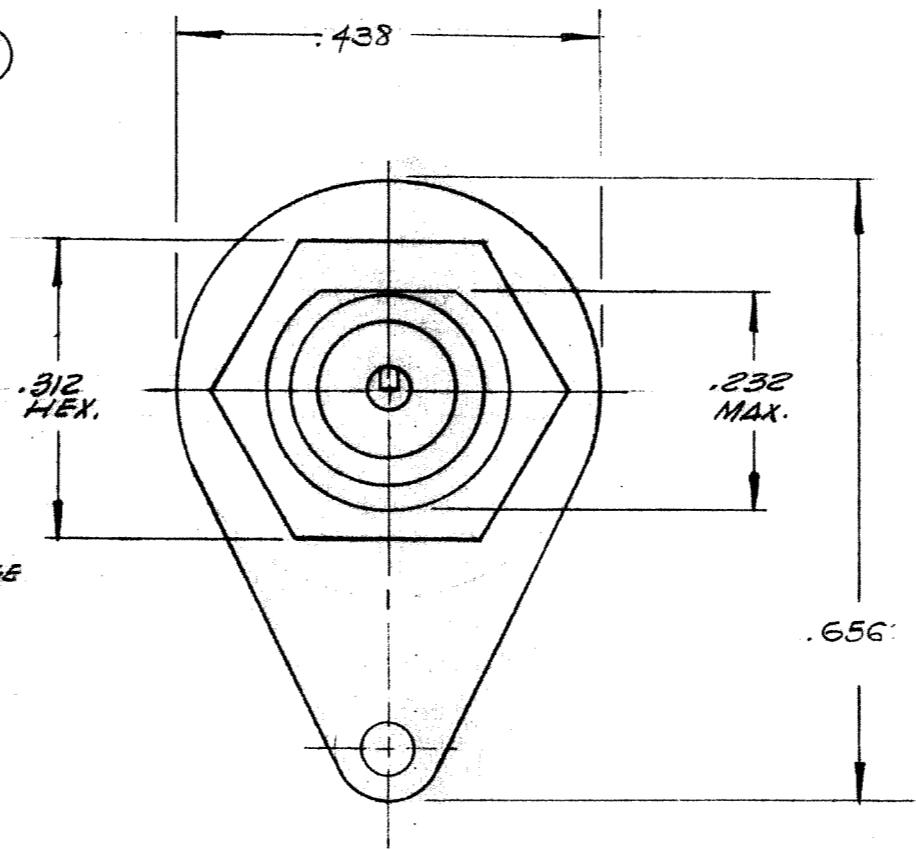
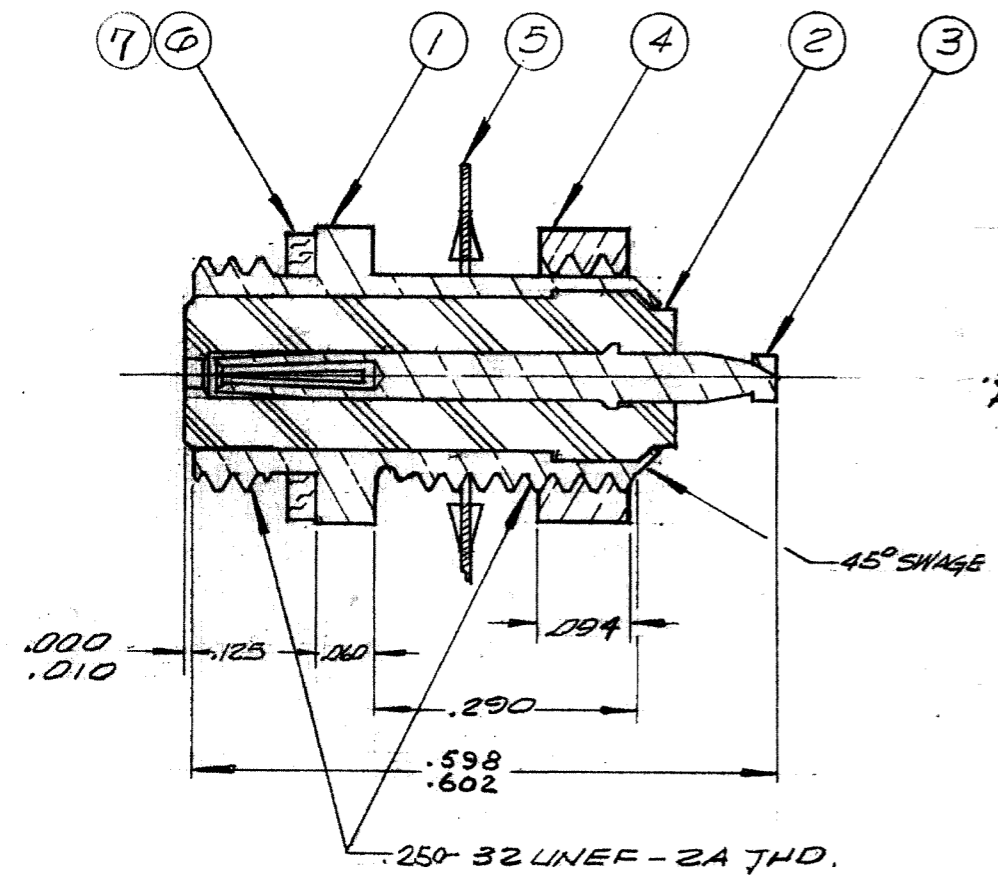


CLASS 1



1	003-0269-0001	GASKET	SILICONE RUBBER PER 22-R-765		⑦
1	003-0070-0001	GASKET	NEOPRENE MIL-R-3065		⑥
1	003-0305-0001	LOCK LUG	#425 BRONZE ALLOY	②	⑤
1	003-0068-0001	HEX NUT	BRASS, QQ-B-626	②	④
1	003-1315-0002	SOCKET CONTACT	BERYLLIUM COPPER QQ-C-530	③	③
1	003-1374-0001	BUSHING	TEFLON, PER L-P-403		②
1	003-1373-0001	HOUSING	BRASS, QQ-B-626	②	①
2	PART NO.	NOMENCLATURE	MAT'L & SPEC.	FINISH	ITEM.

2-1532004-9

- 7. PANEL THICKNESS: .160 MAX.
- 6. 031-0052-0001 REPLACES 031-0052.
- 5. INSULATION RESISTANCE - 5.0×10^8 MEGOHMS MIN.
- 4. WORKING VOLTAGE - 750 V.R.M.S.
- ③ GOLD PLATE PER MIL-G-45204, TYPE II, GRADE C CLASS 1.
- ② SILVER PLATE .0002-.0004 PER QQ-5-365 TYPE II, GRADE A.
- 1. THIS CONNECTOR MATES WITH ALL PLUGS IN SERIES S-93 AS LISTED IN MALCO CATALOG

NOTES: UNLESS OTHERWISE SPECIFIED

STANDARD TOLERANCES UNLESS OTHERWISE SPECIFIED
 DEC. ± .010
 FRAC. ± 1/64
 ANGLES ±
 ECCENTRICITY
 MAX. T.I.R. _____
 HOLE DIA. ± _____
 SURFACE ROUGHNESS _____ MICRO INCHES
 THREADS TO MIL-S-7742
 COMMERCIAL TOLERANCES APPLY TO STOCK DIMENSIONS

MALCO
 A MICRODOT COMPANY, INC.
 220 PASADENA AVE., SO. PASADENA, CAL

SURFACE TREATMENT NOTED

MATERIAL NOTED

APP W.J.
 APP F.R.G.
 CHECKED BY
 DRAWN BY B.T.

ASSEMBLY	NO REQ'D				
N	38/567	UPDATE REV. LETTER	LA	1/22/82	RS
M	23/102	UPDATE MAT'L INFOR.	JT	8/13/82	RS
L	16/80	REV. LETTER UP-DATED	CS	7/15/82	RS
K	10/19	COMPONENT PART No's. UPDATED	EJ	3/19/82	RS
J	52/31	REDESIGNED & REDRAWN	EJ	3/15/82	RS
LET	ECO	REVISION DESCRIPTION	BY	DATE	APP

BULKHEAD RECEIPT
 93 Ω

PRD CODE	931	SCALE	5X	WT		DATE	7/13/55
CODE	CDM	DRAWING NUMBER		031-0052-000* N			