

LOC	DIST	REVISIONS					
		P	LTR	DESCRIPTION	DATE	DWN	APVD
A1	-		A	EG00-2581-01	03SEP001	SS	JE

REFER TO CUSTOMER DRAWING
1418067

Siehe Kundenzeichnung
1418067


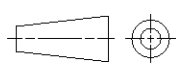
2000

RELEASED FOR PUBLICATION

THIS DRAWING IS UNPUBLISHED.

BY TYCO ELECTRONICS CORPORATION. ALL RIGHTS RESERVED.

© COPYRIGHT 2000

DIMENSIONS: mm	DWN S.Storch	29AUG2001	MATERIAL	-	FINISH	-	
	CHK J.Evans	03SEP2001	 tyco Electronics AMP GmbH D - 64625 Bensheim				
TOLERANCES UNLESS OTHERWISE SPECIFIED:	APVD J.Evans	03SEP2001					
0 PLC ±	PRODUCT SPEC		NAME 1,6 SYSTEM 2 WAY CONNECTOR, FEMALE, GREY				
1 PLC ±	-						
2 PLC ±	APPLICATION SPEC		SIZE	CAGE CODE	DRAWING NO	RESTRICTED TO	
3 PLC ±	-		A 4	00779	C=2-1437712-7	-	
4 PLC ±	WEIGHT		-				
ANGLES ±°	-		CUSTOMER DRAWING				
		SCALE		1:1	SHEET	1 OF 1	
						REV	A