

THIS DRAWING IS UNPUBLISHED.

RELEASED FOR PUBLICATION

ALL RIGHTS RESERVED.

© COPYRIGHT - By -

LOC FT DIST 0

REVISIONS

P	LTR	DESCRIPTION	DATE	DWN	APVD
D1		UPDATION OF ANGLED PCB MOUNT VIEW	19JUN2015	NV	PS

D-SUB CONNECTOR:

MATERIAL:

HOUSING: THERMOPLASTIC POLYESTER, 94V-0.
CONTACTS: COPPER ALLOY, GOLD PLATED.

MECHANICAL:

WIRE RANGE: 26-30 AWG SOLID, 28 AWG STRANDED.

TERMINAL BLOCK:

MATERIAL:

HOUSING: THERMOPLASTIC NYLON, BLACK, 94V-0.
TERMINALS: COPPER ALLOY, TIN PLATED.
SCREWS: 3M, BRASS, NICKEL PLATED.

ELECTRICAL CSA/UL:

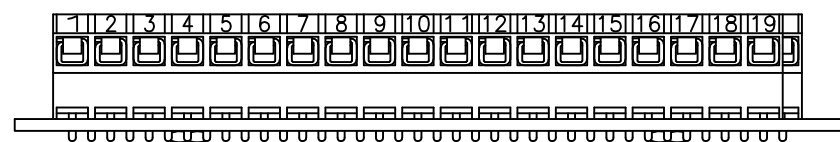
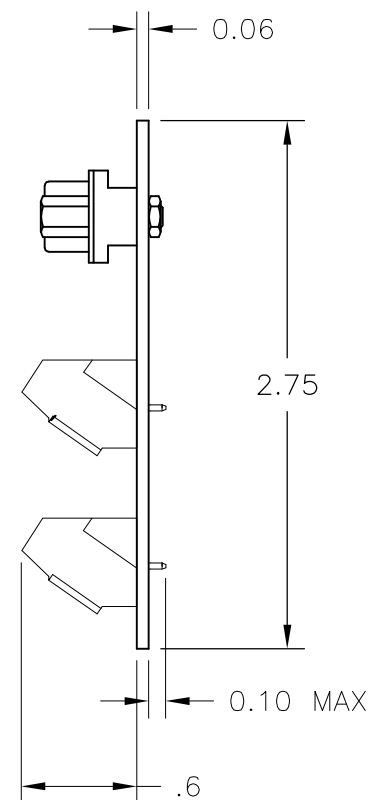
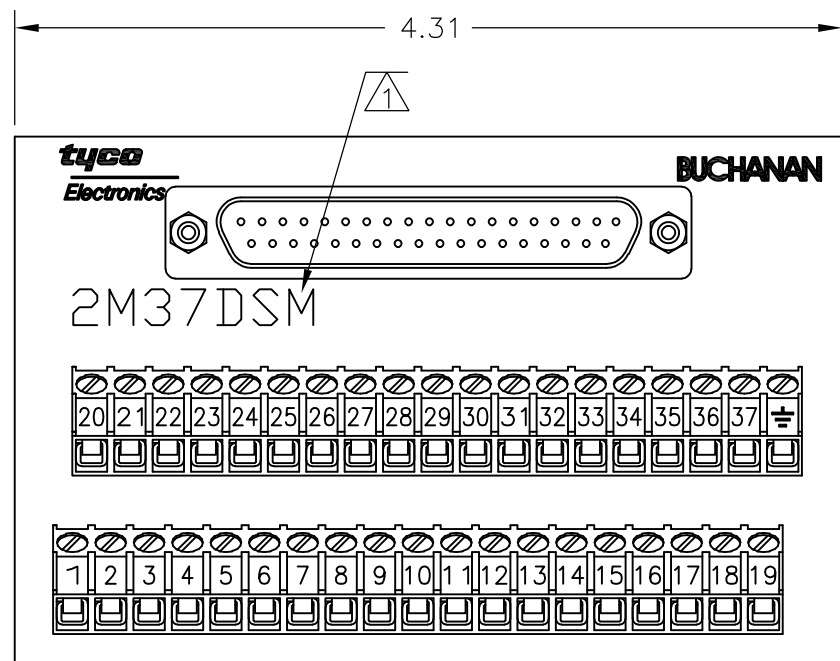
RATING: 10A, 300V.

MECHANICAL:

WIRE RANGE: 14-22 AWG.
MOUNTING: 2TK2 AND 2TK2D SERIES SNAPTRACK,
(SOLD SEPARATELY).

NOTES:

- ① CATALOG NUMBER MARKED HERE.
- ② CONTAINS NO TIN-LEAD PLATING.



②	2M37DSML	1546695-1
	2M37DSM	2-1437684-3
	CATALOG NO.	PART NO.

THIS DRAWING IS A CONTROLLED DOCUMENT.		DWN S SCHLEGEL 08JUL02	STE TE Connectivity	
DIMENSIONS: INCHES		CHK H. WAKEEM 7/8/02		
TOLERANCES UNLESS OTHERWISE SPECIFIED:		APVD H. WAKEEM 7/8/02	NAME 2M37DSM ASSEMBLY	
0 PLC ± -		PRODUCT SPEC -	SIZE CAGE CODE DRAWING NO RESTRICTED TO	
1 PLC ± .1		APPLICATION SPEC -	A3 00779 C-2-1437684-3	
2 PLC ± .01		WEIGHT -	SCALE SHEET 1 OF 1 REV D1	
3 PLC ± -		CUSTOMER DRAWING		
4 PLC ± -				
ANGLES ± -				
MATERIAL -				
FINISH -				