

4

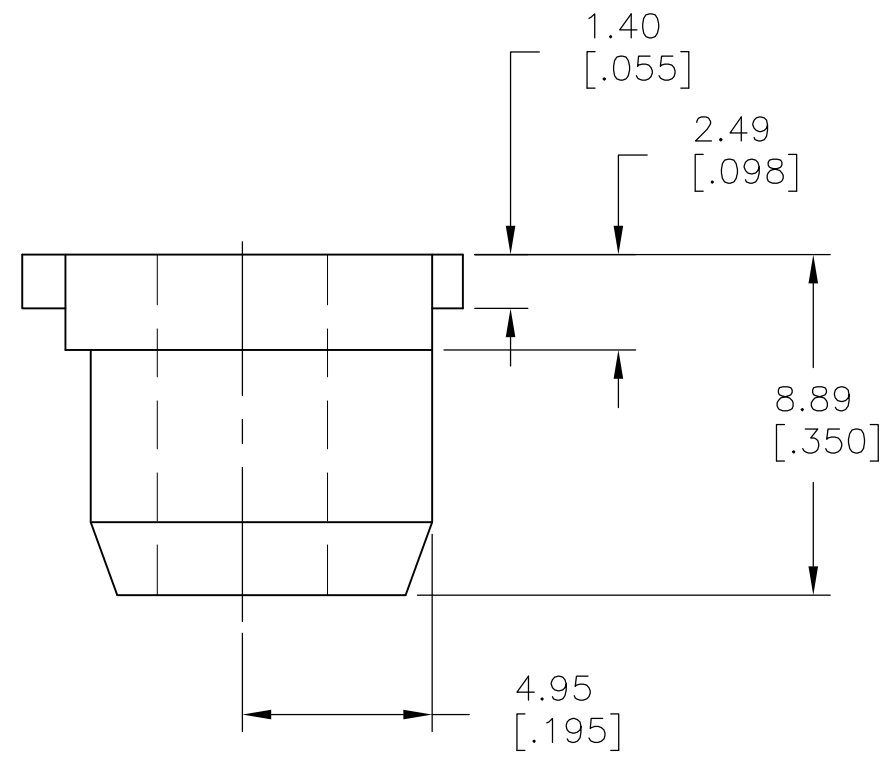
3

2

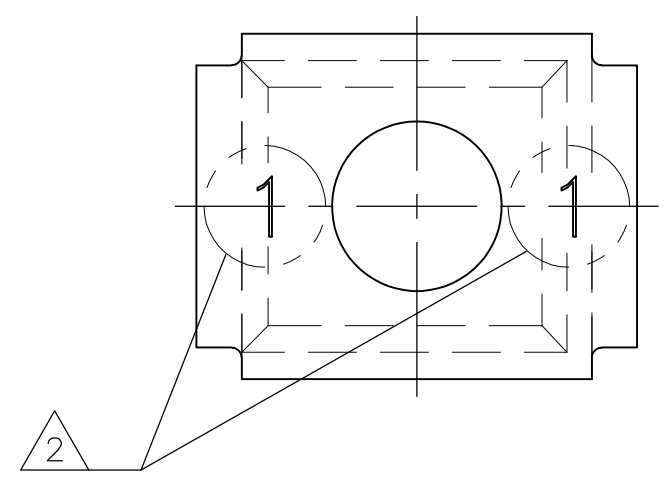
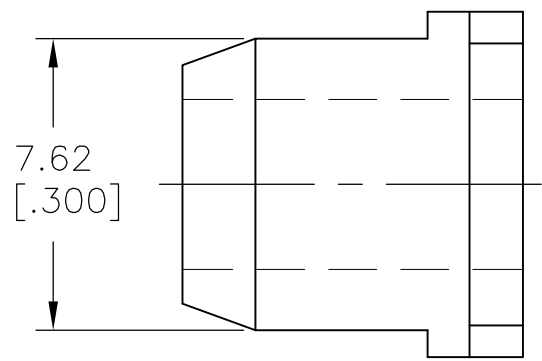
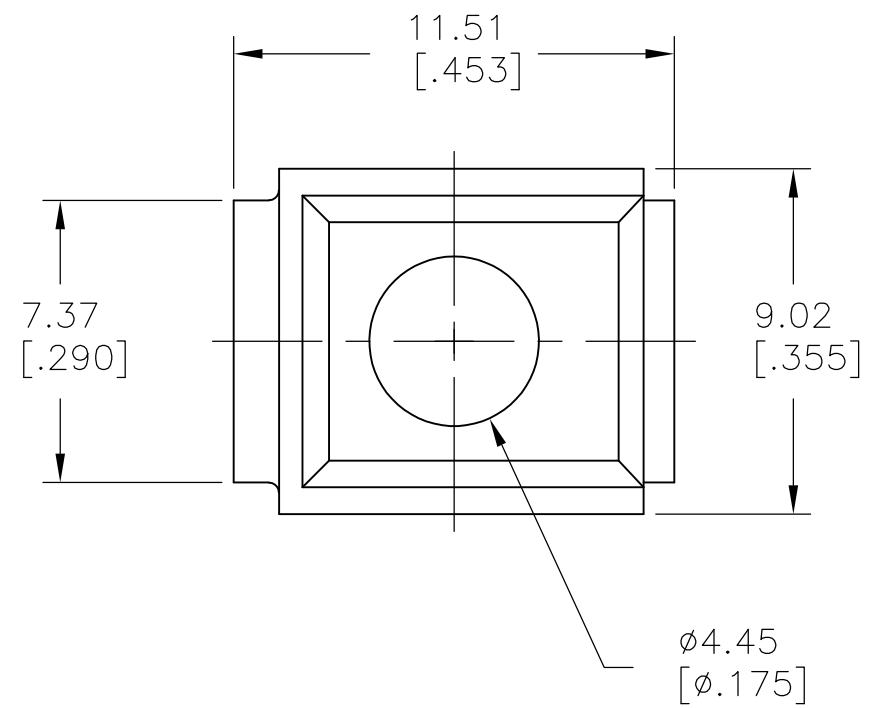
1

THIS DRAWING IS UNPUBLISHED. RELEASED FOR PUBLICATION
 © COPYRIGHT - By - ALL RIGHTS RESERVED.

| LOC | DIST | REVISIONS | | | | | |
|-----|------|-----------|-----|-------------|---------|-----|------|
| FT | 0 | P | LTR | DESCRIPTION | DATE | DWN | APVD |
| | | A | | NEW DRAWING | 12AUG13 | KH | MB |



- △1 MATERIAL: POLYPROPYLENE, BLACK
ALTERNATE: NYLON 6/6, UL94V-0, BLACK.
- △2 CAVITY IDENTIFICATION NUMBER.



2-1437644-9
 PART NO

| | | | | | | |
|---|--|----------------------------------|------------------------|-----------------------------|---|--|
| THIS DRAWING IS A CONTROLLED DOCUMENT. | | DWN KIRAN HOLAL 12AUG13 | TE Connectivity | | | |
| DIMENSIONS: mm [INCHES] | | CHK BRUBAKER MARK 12AUG13 | | | | |
| TOLERANCES UNLESS OTHERWISE SPECIFIED: | | APVD BRUBAKER MARK 12AUG13 | PRODUCT SPEC | | BARRIER STRIP SERIES 8 VERTICAL BUSHING | |
| 0 PLC ± - 1 PLC ± - 2 PLC ± .01 3 PLC ± .005 4 PLC ± - ANGLES ± 1° | | APPLICATION SPEC | | SIZE | CAGE CODE | |
| MATERIAL △1 | | FINISH - | | WEIGHT - | A3 MB | |
| CUSTOMER DRAWING | | | | SCALE 4:1 | SHEET 1 OF 1 | |
| | | | | DRAWING NO C-2-1437644-9 | RESTRICTED TO - | |
| | | | | REV A | | |