

| P | LTR | DESCRIPTION | DATE | DWN | APVD |
|----|---------------|-------------|-----------|-----|------|
| Z1 | ECR-24-211668 | | 27JUN2024 | LP | MY |

SPECIFICATIONS:

MATERIALS:

CASE: SEE TABLE - UL94V-0
 COVER: STAINLESS STEEL
 ACTUATOR BUTTON: SEE TABLE - UL94V-0
 MOVING CONTACT: COPPER ALLOY, SILVER CLAD
 MOVING CONTACT: (1571563-1,-2,-7&-8), STAINLESS STEEL, AG CLAD OVER NICKEL
 FIXED CONTACT/TERMINAL, COPPER ALLOY-SILVER OVER NICKEL PLATE

ELECTRICAL:

MAX CONTACT RATING: 50MILLIAMPS@24V DC
 MIN CONTACT RATING: 10MICROAMPS@1V DC
 INITIAL CONTACT RESISTANCE: 100 MILLIOHMS MAX.
 INSULATION RESISTANCE: 100 MEGOHMS AT 100 VDC MIN.
 DIELECTRIC STRENGTH: 500 VAC 50/60 Hz FOR 1 MINUTE.
 LIFE EXPECTANCY: (SEE TABLE)

MECHANICAL:

ACTUATION FORCE: (SEE TABLE)
 ACTUATION TRAVEL: 0.25 +0.20/-0.10 [.010 +.008/-0.004]

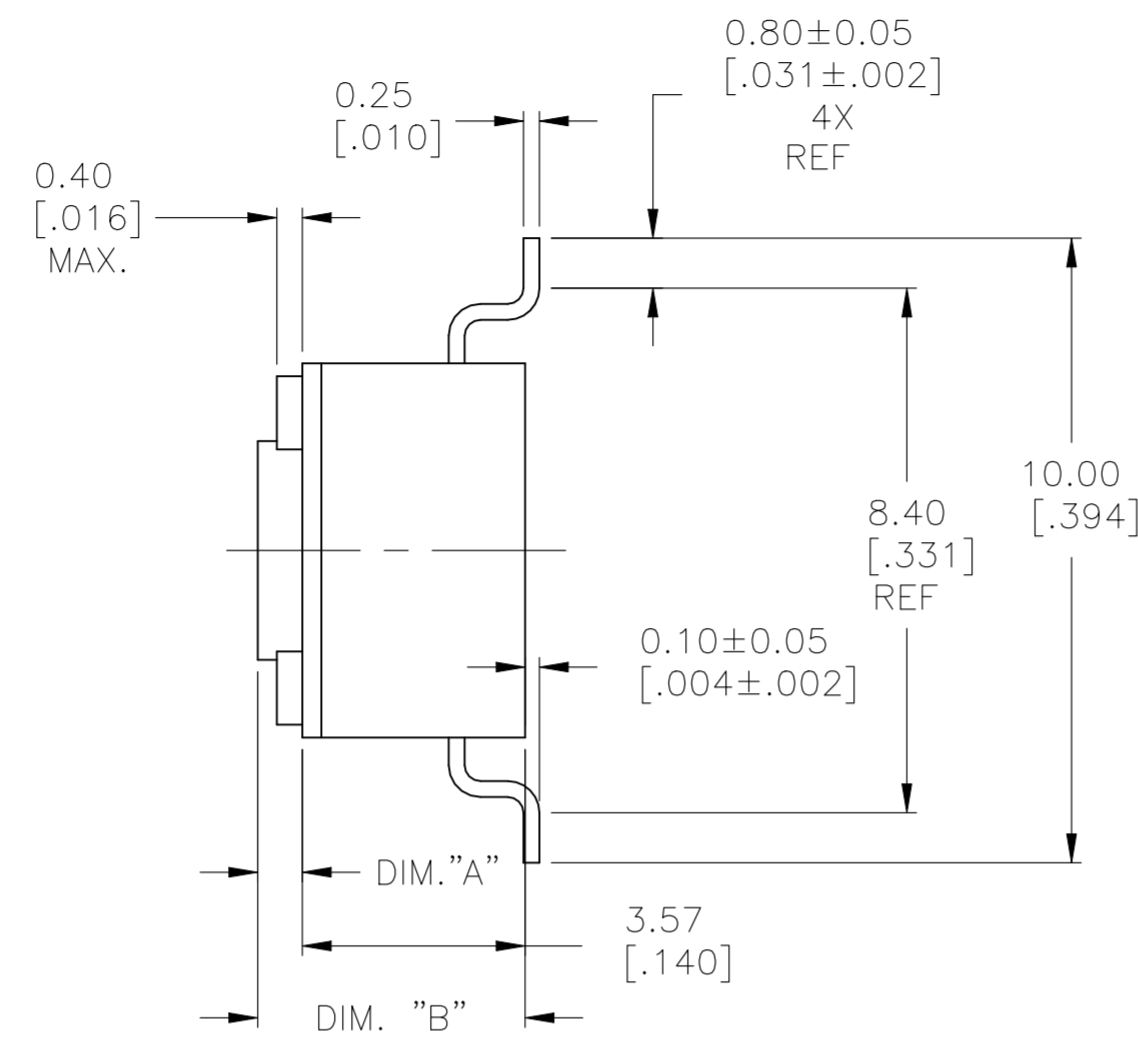
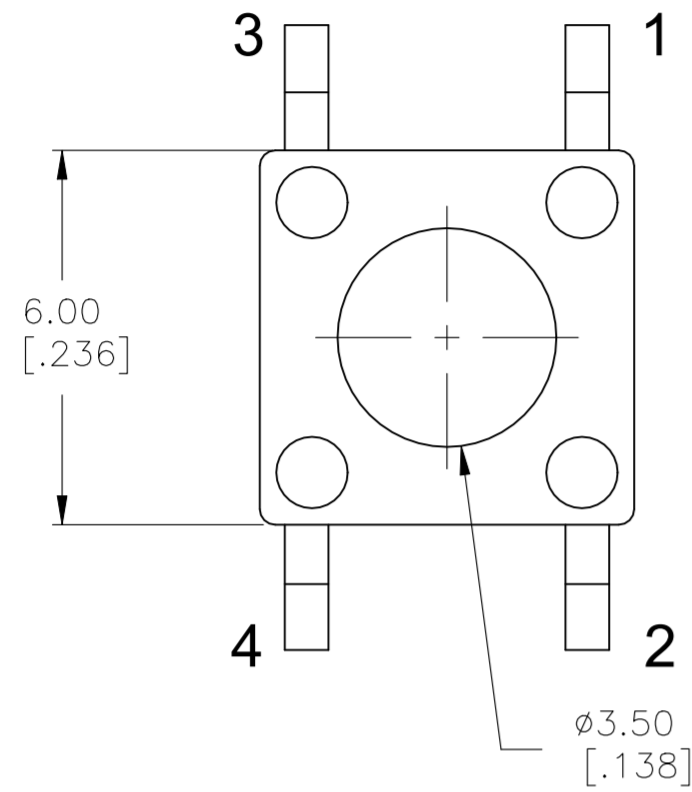
ENVIRONMENTAL:

OPERATING TEMPERATURE: -40°C TO +85°C, 45 ~ 85% RH
 STORAGE TEMPERATURE: -40°C TO +85°C
 SOLDER HEAT RESISTANCE PER 109-201, CONDITION B

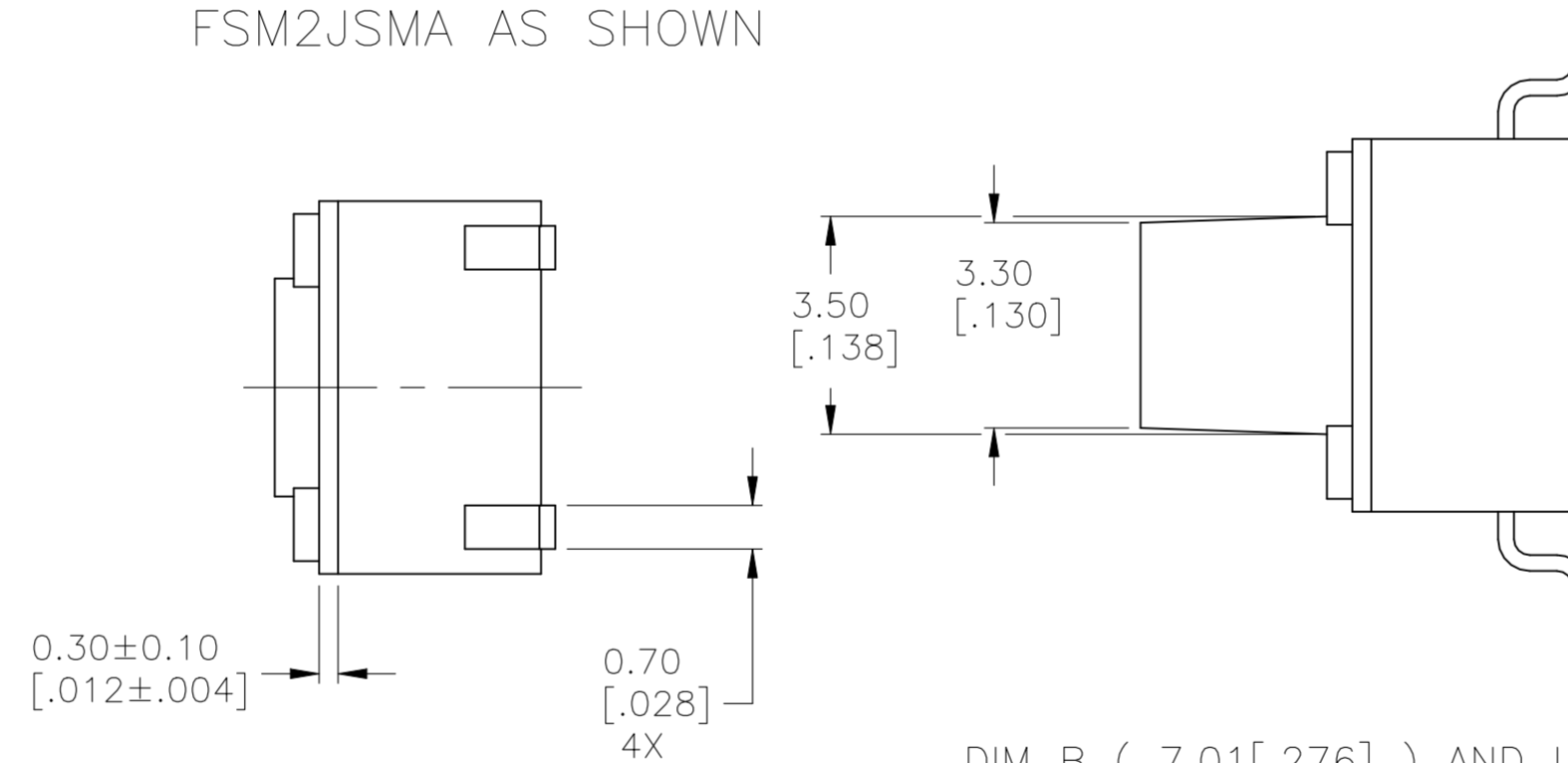
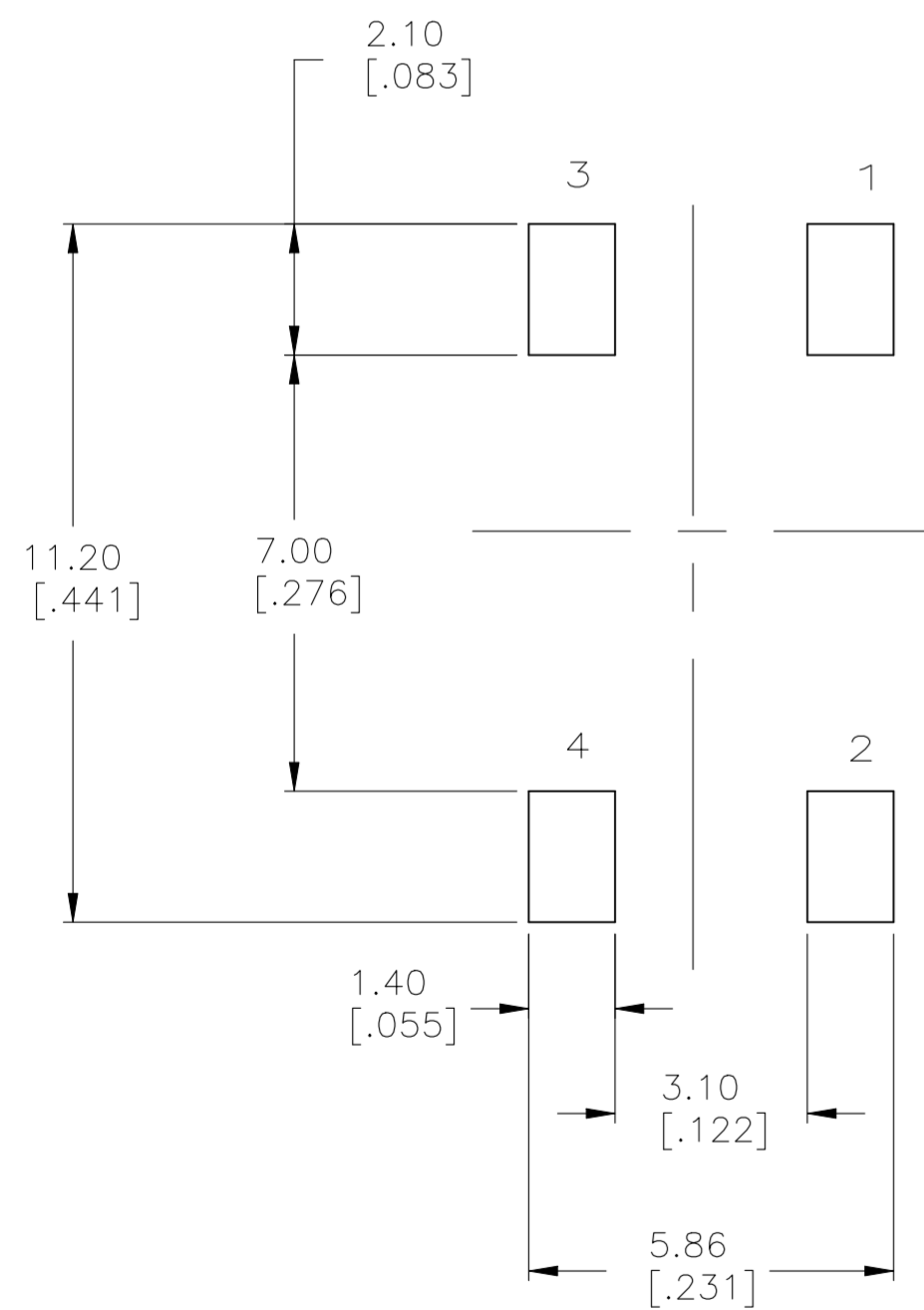
SOLDERABILITY:

SPECIFICATION EIA-364-52, CLASS 1, CATEGORY 2

- 1 TAPE AND REEL PACKAGING PER EIA 481.
- 2 ALL MATERIALS AND FINISHES SHALL COMPLY WITH EU DIRECTIVE 2002/95/EC OF 27JAN2003 (ROHS)



FSM2JSMA AS SHOWN




DIM B (7.01 [.276]) AND LONGER MODELS

| ()-INDICATES MOMENTARY POSITION | | |
|----------------------------------|-----------------|--|
| CIRCUIT CHARACTERISTICS | | |
| CONTACT POSITION | CIRCUIT DIAGRAM | |
| OFF | (ON) | |
| | 1 - 3 2 - 4 | |

| | | | | | | | | | | | | | | | | | | | | | | |
|---|---|--------------------------------|---|-----------------------------|-------|---|---|-------|---|-------------|-------|---|---|-------|---|---|--------|---|----|-------------------|------------|--------------------|
| THIS DRAWING IS A CONTROLLED DOCUMENT. | | DWN D.SARKISIAN 04MAY04 | | | | | | | | | | | | | | | | | | | | |
| DIMENSIONS: mm [INCHES] | | CHK D.SARKISIAN 22APR94 | | | | | | | | | | | | | | | | | | | | |
| TOLERANCES UNLESS OTHERWISE SPECIFIED: | | APVD D.SARKISIAN 22APR94 | NAME MICRO MINIATURE PUSHBUTTON SWITCH FSM JSM | | | | | | | | | | | | | | | | | | | |
| <table border="0"> <tr> <td>0 PLC</td> <td>±</td> <td>-</td> </tr> <tr> <td>1 PLC</td> <td>±</td> <td>-</td> </tr> <tr> <td>2 PLC</td> <td>±</td> <td>0.30 [.012]</td> </tr> <tr> <td>3 PLC</td> <td>±</td> <td>-</td> </tr> <tr> <td>4 PLC</td> <td>±</td> <td>-</td> </tr> <tr> <td>ANGLES</td> <td>±</td> <td>1°</td> </tr> </table> | | 0 PLC | ± | - | 1 PLC | ± | - | 2 PLC | ± | 0.30 [.012] | 3 PLC | ± | - | 4 PLC | ± | - | ANGLES | ± | 1° | PRODUCT SPEC - | SIZE A2 | CAGE CODE 00779 |
| 0 PLC | ± | - | | | | | | | | | | | | | | | | | | | | |
| 1 PLC | ± | - | | | | | | | | | | | | | | | | | | | | |
| 2 PLC | ± | 0.30 [.012] | | | | | | | | | | | | | | | | | | | | |
| 3 PLC | ± | - | | | | | | | | | | | | | | | | | | | | |
| 4 PLC | ± | - | | | | | | | | | | | | | | | | | | | | |
| ANGLES | ± | 1° | | | | | | | | | | | | | | | | | | | | |
| MATERIAL - | | FINISH - | WEIGHT | DRAWING NO C=2-1437565-7 | | | | | | | | | | | | | | | | | | |
| | | CUSTOMER DRAWING | | RESTRICTED TO - | | | | | | | | | | | | | | | | | | |
| | | SCALE 8:1 | | SHEET 1 OF 3 | | | | | | | | | | | | | | | | | | |
| | | | | REV Z1 | | | | | | | | | | | | | | | | | | |

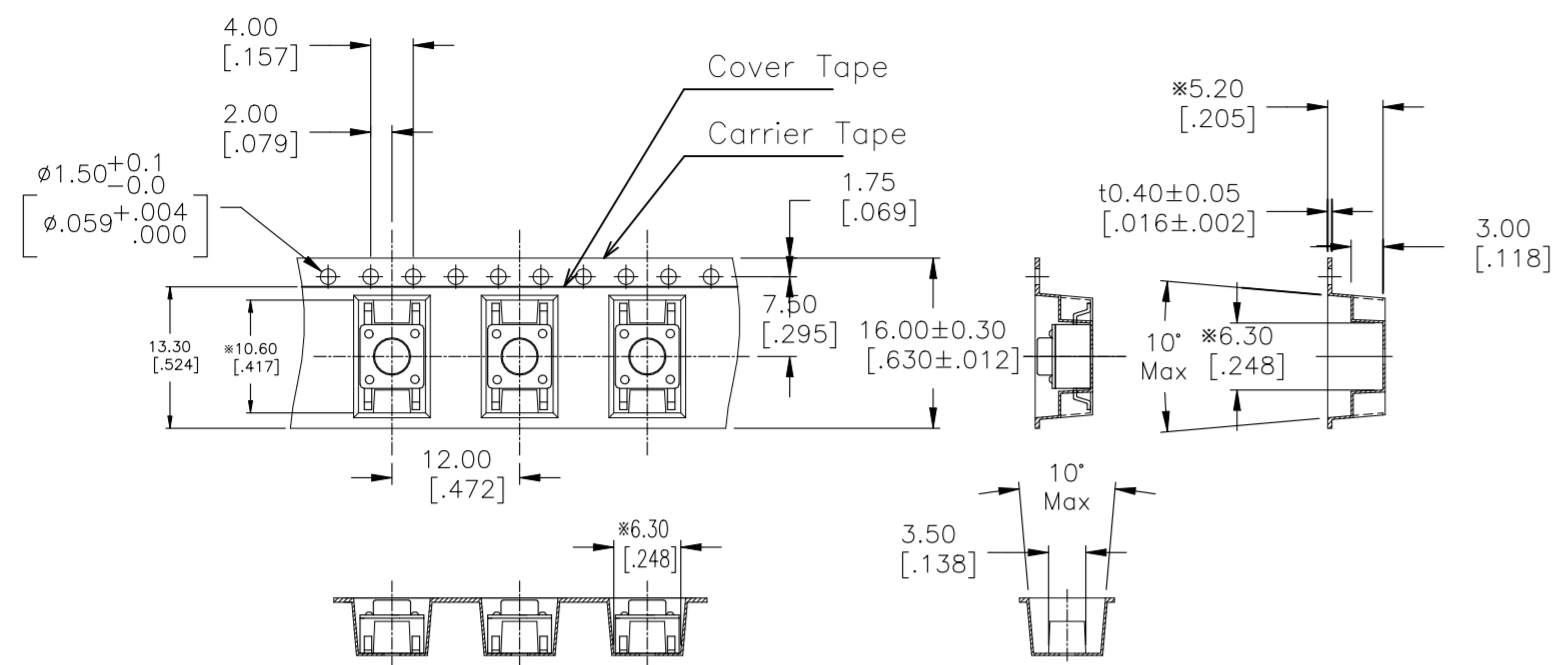
| REVISIONS | | | | |
|-----------|-----|-------------|------|------|
| P | LTR | DESCRIPTION | DATE | APVD |
| - | - | SEE SHEET 1 | - | - |

| | | | | | | | | | | | | | |
|------------|----------------|-------------------|-----------------|----------|------------|------------|---------------|---------|------------------------|-----------------------|--------------|-----------------|-------------|
| | 100,000 | BLACK | NYLON | 260G±50G | 12MM | 24MM | BROWN | PPS | 13.00±0.10 [.512±.010] | 9.40±0.10 [.370±.004] | FSM14JSMAATR | 1-1571563-5 | |
| | 100,000 | WHITE | NYLON | 260G±50G | 12MM | 24MM | BLACK | LCP | 13.00±0.10 [.512±.010] | 9.40±0.10 [.370±.004] | FSM14JSMAATR | 1571563-6 | |
| | 100,000 | WHITE | NYLON | 260G±50G | - | - | BROWN | PPS | 13.00±0.10 [.512±.010] | 9.40±0.10 [.370±.004] | FSM14JSMAA | 1571563-5 | |
| OBSOLETE | 100,000 | BROWN | NYLON | 100G±50G | - | - | BLACK | LCP | 13.00±0.10 [.512±.010] | 9.40±0.10 [.370±.004] | FSM14JSML | 1-1571563-0 | |
| | 100,000 | WHITE | NYLON | 260G±50G | 12MM | 24MM | BLACK | LCP | 9.50±0.10 [.374±.004] | 5.89±0.10 [.232±.004] | FSM8JSMAATR | 1-1571563-4 | |
| OBSOLETE | 100,000 | WHITE | NYLON | 260G±50G | - | - | - | - | 9.50±0.10 [.374±.004] | 5.89±0.10 [.232±.004] | FSM8JSMAA | 1-1571563-3 | |
| | 100,000 | BLACK | PPS | 160G±50G | 12MM | 24MM | BLACK | LCP | 9.50±0.10 [.374±.004] | 5.89±0.10 [.232±.004] | FSM8JSMATR | 1571563-9 | |
| | 100,000 | BLACK | PPS | 160G±50G | - | - | BLACK | LCP | 9.50±0.10 [.374±.004] | 5.89±0.10 [.232±.004] | FSM8JSMA | 3-1437566-8 | |
| OBSOLETE | 100,000 | WHITE | NYLON | 260G±50G | 12MM | 24MM | BLACK | LCP | 7.01±0.10 [.276±.004] | 3.40±0.10 [.134±.004] | FSM6JSMAATR | 1-1571563-2 | |
| OBSOLETE | 100,000 | WHITE | NYLON | 260G±50G | - | - | BLACK | LCP | 7.01±0.10 [.276±.004] | 3.40±0.10 [.134±.004] | FSM6JSMAA | 1-1571563-1 | |
| | 100,000 | BLACK | PPS | 160G±50G | 12MM | 24MM | BLACK | LCP | 7.01±0.10 [.276±.004] | 3.40±0.10 [.134±.004] | FSM6JSMATR | 5-1437565-0 | |
| | 100,000 | BLACK | PPS | 160G±50G | - | - | BLACK | LCP | 7.01±0.10 [.276±.004] | 3.40±0.10 [.134±.004] | FSM6JSMA | 4-1437565-9 | |
| | 1,000,000 | VIOLET | NYLON | 70G±30G | 12MM | 16MM | BLACK | LCP | 4.98±0.25 [.196±.010] | 1.40±0.10 [.055±.004] | FSM4JSMXLTR | 1571563-2 | |
| | 1,000,000 | VIOLET | NYLON | 70G±30G | - | - | BLACK | LCP | 4.98±0.25 [.196±.010] | 1.40±0.10 [.055±.004] | FSM4JSMXL | 1571563-1 | |
| | 100,000 | WHITE | NYLON | 260G±50G | 12MM | 16MM | BLACK | LCP | 4.98±0.25 [.196±.010] | 1.40±0.10 [.055±.004] | FSM4JSMAATR | 1571563-4 | |
| OBSOLETE | 100,000 | WHITE | NYLON | 260G±50G | - | - | BLACK | LCP | 4.98±0.25 [.196±.010] | 1.40±0.10 [.055±.004] | FSM4JSMAA | 1571563-3 | |
| | 100,000 | BLACK | PPS | 160G±50G | 12MM | 16MM | BLACK | LCP | 4.98±0.25 [.196±.010] | 1.40±0.10 [.055±.004] | FSM4JSMATR | 4-1437565-2 | |
| | 100,000 | BLACK | PPS | 160G±50G | - | - | BLACK | LCP | 4.98±0.25 [.196±.010] | 1.40±0.10 [.055±.004] | FSM4JSMA | 4-1437565-1 | |
| | 1,000,000 | BLUE | NYLON | 100G±30G | 12MM | 16MM | BLACK | LCP | 4.98±0.25 [.196±.010] | 1.40±0.10 [.055±.004] | FSM4JSMLSTR | 1571563-8 | |
| | 1,000,000 | BLUE | NYLON | 100G±30G | - | - | BROWN | PPS | 4.98±0.25 [.196±.010] | 1.40±0.10 [.055±.004] | FSM4JSMLS | 1571563-7 | |
| | 100,000 | WHITE | NYLON | 260G±50G | 12MM | 16MM | BLACK | LCP | 4.29±0.15 [.169±.006] | 0.71±0.10 [.028±.004] | FSM2JSMAATR | 2-1437565-9 | |
| | 100,000 | WHITE | NYLON | 260G±50G | - | - | BLACK | LCP | 4.29±0.15 [.169±.006] | 0.71±0.10 [.028±.004] | FSM2JSMAA | 2-1437565-8 | |
| | 100,000 | GRAY | PPS | 160G±50G | 12MM | 16MM | BLACK | LCP | 4.29±0.15 [.169±.006] | 0.71±0.10 [.028±.004] | FSM2JSMATR | 3-1437565-0 | |
| | 100,000 | GRAY | PPS | 160G±50G | - | - | BLACK | LCP | 4.29±0.15 [.169±.006] | 0.71±0.10 [.028±.004] | FSM2JSMA | 2-1437565-7 | |
| | 200,000 | BROWN | PPS | 100±50G | 12MM | 16MM | BLACK | LCP | 4.29±0.15 [.169±.006] | 0.71±0.10 [.028±.004] | FSM2JSMLTR | 1571527-2 | |
| | 200,000 | BROWN | PPS | 100±50G | - | - | BROWN | PPS | 4.29±0.15 [.169±.006] | 0.71±0.10 [.028±.004] | FSM2JSML | 1571527-1 | |
| LIFE CYCLE | ACTUATOR COLOR | ACTUATOR MATERIAL | ACTUATION FORCE | PITCH | TAPE WIDTH | CASE COLOR | CASE MATERIAL | DIM 'B' | | DIM 'A' | | T&B PART NUMBER | PART NUMBER |

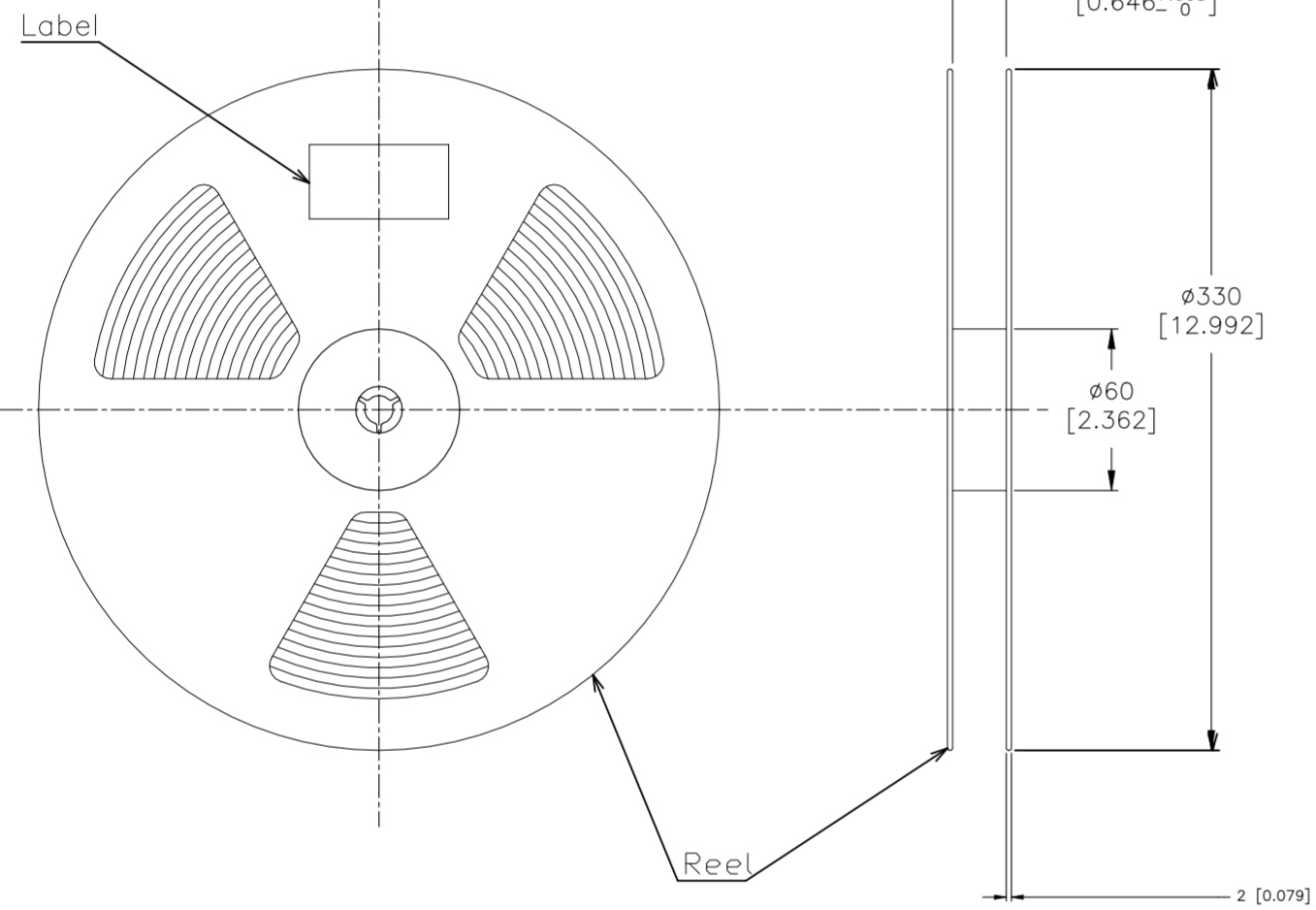
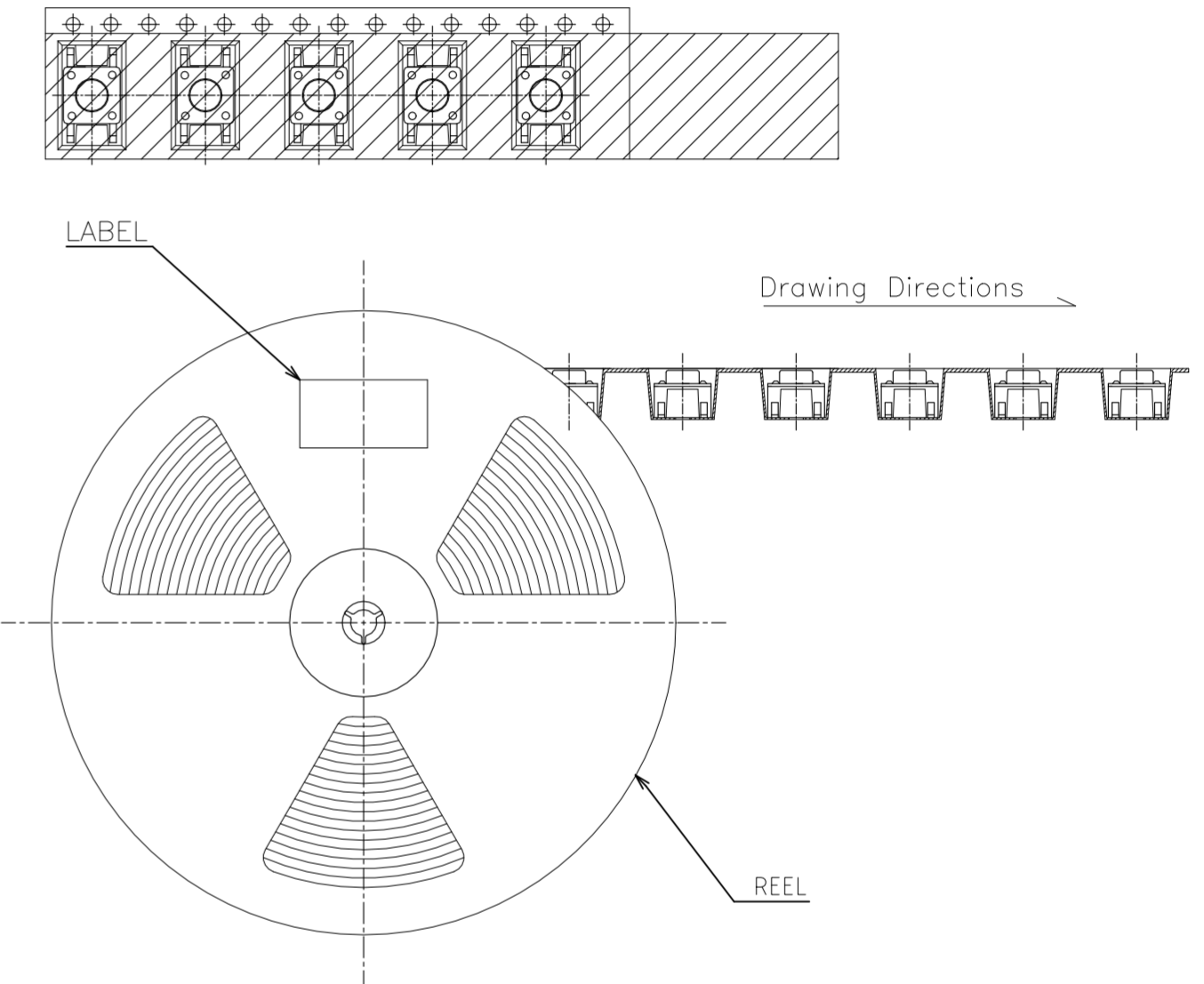
| | | | | |
|---|--|--------------------------------|--|-----------------------------|
| THIS DRAWING IS A CONTROLLED DOCUMENT. | | DWN D.SARKISIAN 04MAY04 |  TE Connectivity MICRO MINIATURE PUSHBUTTON SWITCH FSM JSM | |
| DIMENSIONS: mm [INCHES] | | CHK D.SARKISIAN 22APR94 | | |
| TOLERANCES UNLESS OTHERWISE SPECIFIED: | | APVD D.SARKISIAN 22APR94 | | |
| 0 PLC ± - 1 PLC ± - 2 PLC ± 0.30[.012] 3 PLC ± - 4 PLC ± - ANGLES ± 1° | | PRODUCT SPEC - | | |
| MATERIAL | | FINISH | APPLICATION SPEC - | SIZE A2 |
| | | | WEIGHT | CAGE CODE 00779 |
| | | | CUSTOMER DRAWING | DRAWING NO C-2-1437565-7 |
| | | | | RESTRICTED TO - |
| | | | | SCALE - |
| | | | | SHEET 2 of 3 |
| | | | | REV Z1 |

| REVISIONS | | | | | |
|-----------|-----|-------------|------|-----|------|
| P | LTR | DESCRIPTION | DATE | DWN | APVD |
| - | - | SEE SHEET 1 | - | - | - |

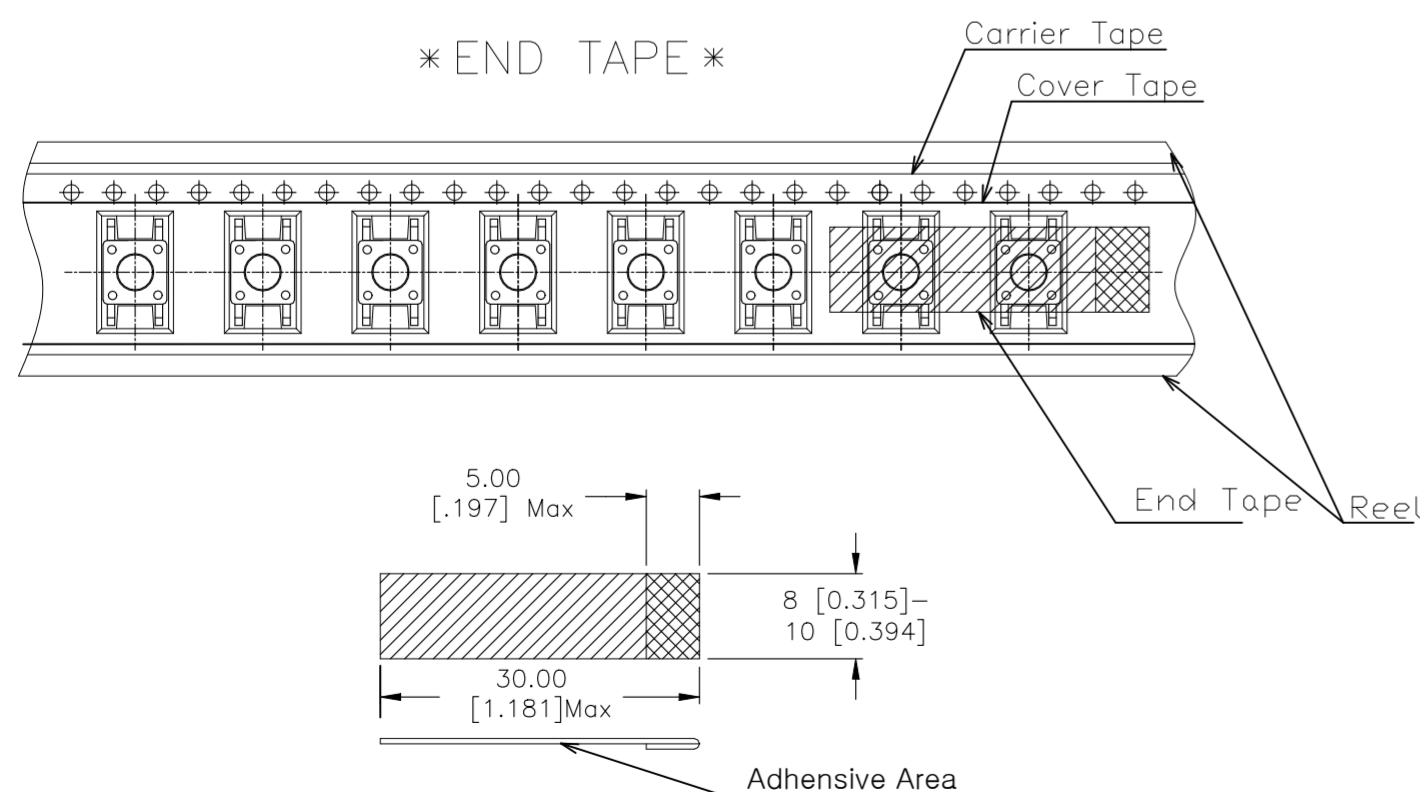
* THE DIMENSION OF CARRIER TAPE, COVER TAPE AND REEL *



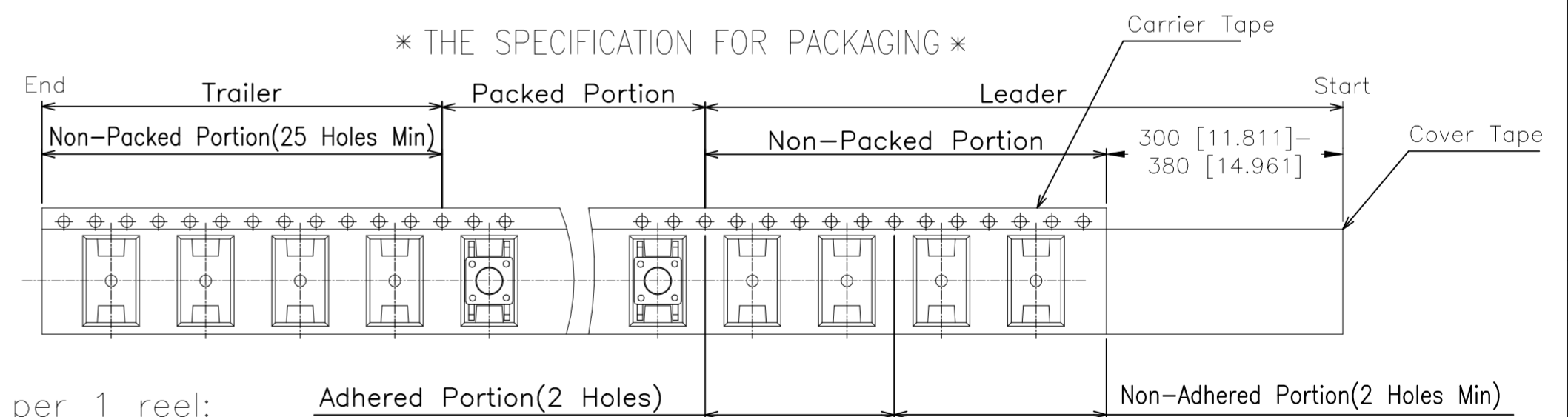
* THE DIRECTION OF PILOT HOLES *



* END TAPE *



* THE SPECIFICATION FOR PACKAGING *



- NOTE:
- 1,200pcs switches per 1 reel:
 - General tolerance : $\pm 0.1 [0.004]$

| | | | | | | | |
|---|--|-------------------------------|--|------------------------|--------------------------------|---------------|---|
| THIS DRAWING IS A CONTROLLED DOCUMENT. | | DWN D.SARKISIAN 04MAY04 | | | NAME | | |
| DIMENSIONS: mm [INCHES] | | CHK D.SARKISIAN 22APR94 | | | APVD D.SARKISIAN 22APR94 | | MICRO MINIATURE PUSHBUTTON SWITCH FSM JSM |
| TOLERANCES UNLESS OTHERWISE SPECIFIED: | | PRODUCT SPEC | | APPLICATION SPEC | | RESTRICTED TO | |
| 0 PLC ± - 1 PLC ± - 2 PLC ± 0.30[.012] 3 PLC ± - 4 PLC ± - ANGLES ± 1° | | WEIGHT | | SCALE | | SHEET | |
| MATERIAL | | FINISH | | CUSTOMER DRAWING | | REV | |
| | | | | A2 00779 C=2-1437565-7 | | 3 of 3 Z1 | |