

REVISIONS

P	LTR	DESCRIPTION	DATE	DWN	APVD
R1		REVISED ECN-24-278943	09AUG2024	GSK	MD

SPECIFICATIONS:

MATERIALS:

CASE: PBT UL94HB, BLACK.  
 COVER: STEEL ,TIN PLATE.  
 ACTUATOR BUTTON: SEE P/N TABLE.  
 MOVING CONTACT: PHOS BRONZE, SILVER.  
 FIXED CONTACT/TERMINAL: BRASS, SILVER OVER NICKEL.

ELECTRICAL:

MAX CONTACT RATING: 50MILLIAMPS@24V DC  
 MIN CONTACT RATING: 10MICROAMPS@1V DC  
 CONTACT RESISTANCE: 100 MILLIOHMS MAX.  
 INSULATION RESISTANCE: 100 MEGOHMS MIN. @ 100 VDC.  
 DIELECTRIC STRENGTH: 500 VAC 50/60 Hz FOR 1 MINUTE  
 LIFE EXPECTANCY: 100,000 CYCLES.

MECHANICAL:

ACTUATION FORCE: SEE P/N TABLE.  
 ACTUATION TRAVEL: .010 IN, (0.25 mm) APPROX.

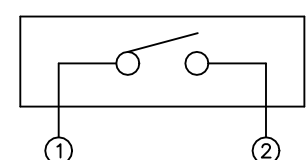
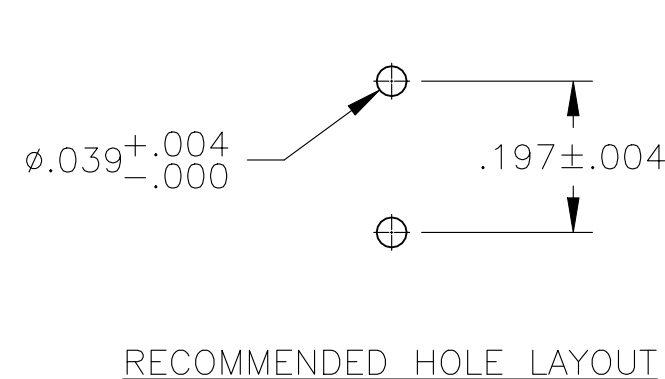
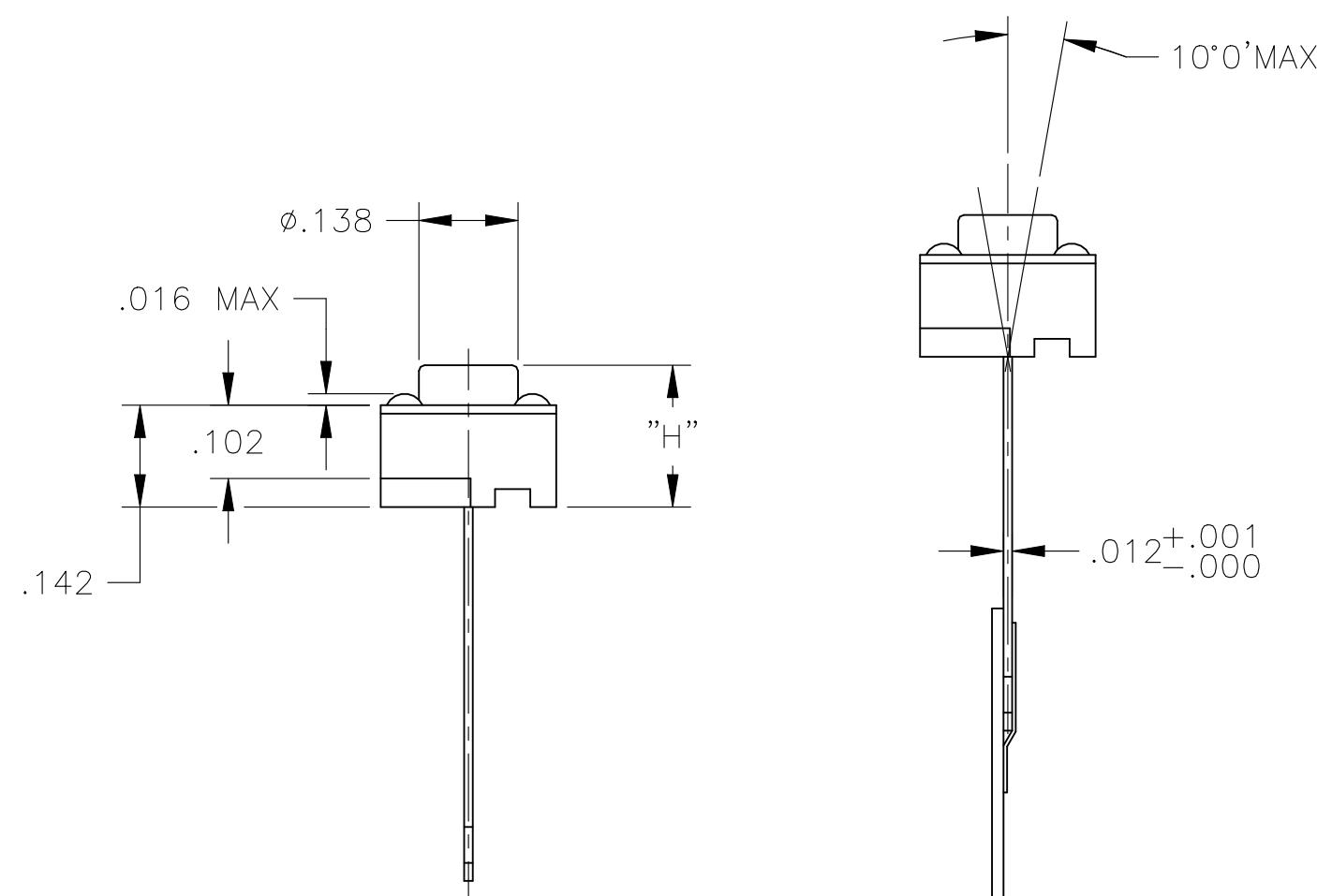
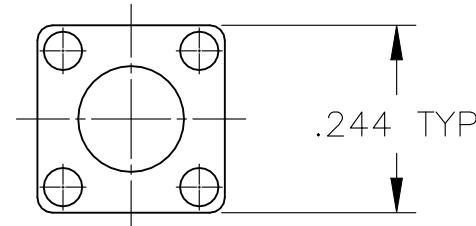
ENVIRONMENTAL:

OPERATING TEMPERATURE: -35°C TO +105°C  
 STORAGE TEMPERATURE: -35°C TO +85°C

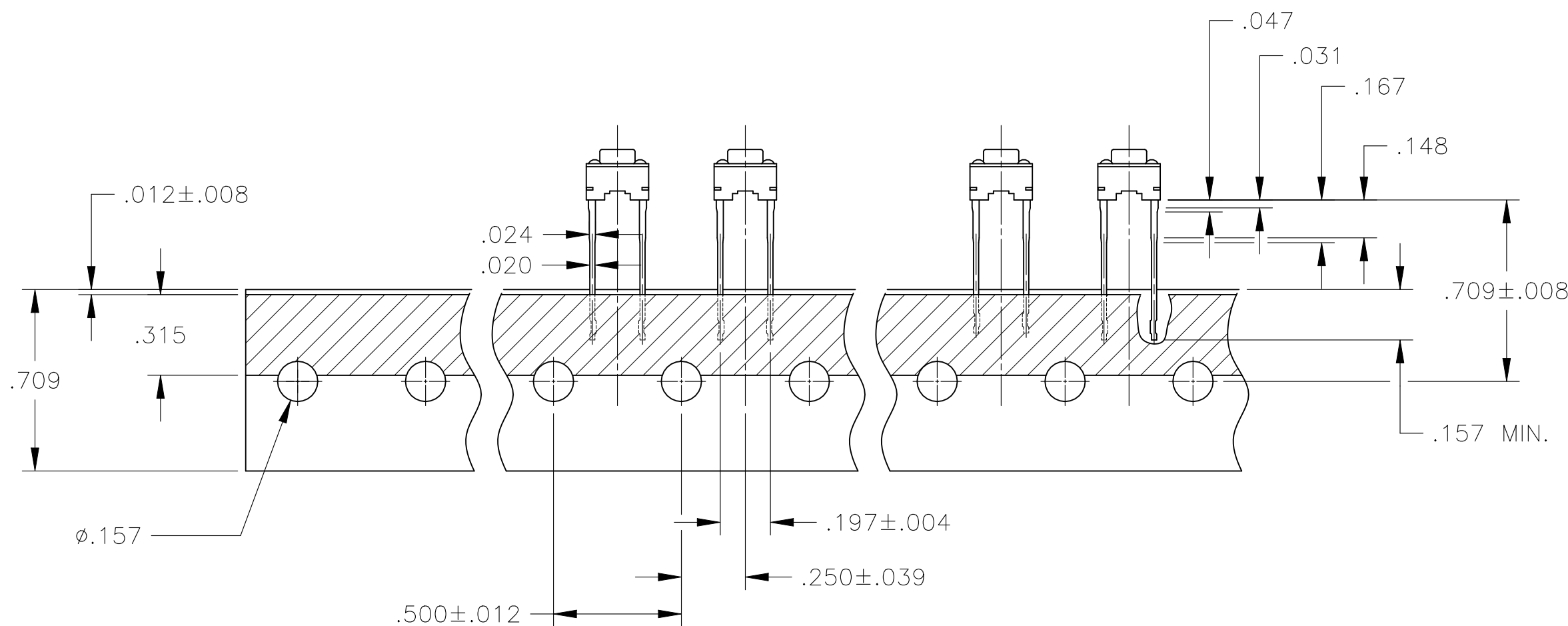
SOLDERABILITY:

SOLDERABILITY EIA-364-52,CLASS 1,CATEGORY 2  
 SOLDER HEAT RESISTANCE PER 109-202 CONDITION B

- 1 ALL MATERIALS AND FINISHES SHALL COMPLY WITH EU DIRECTIVE 2002/95/EC OF 27JAN2003 (ROHS)
- 2 RADIAL TAPE PACKAGING PER AUGAT SPEC.#295.
- 3 SPECIFICATIONS SUBJECT TO CHANGE WITHOUT NOTIFICATION.



CIRCUIT DIAGRAM



OBSOLETE	100 +/-50 grams	Nylon 66	BROWN	.197 (5.0)	FSM4JBRT	1571010-2
	160 +/-50 grams	Nylon 66	BLACK	.512 (13.0)	FSM14JRT	1571010-1
	260 +/-50 grams	PBT	RED	.374 (9.5)	FSM8JART	147871-1
	160 +/-50 grams	PBT	BLACK	.374 (9.5)	FSM8JRT	147694-1
OBSOLETE	260 +/-50 grams	Nylon 66	RED	.276 (7.0)	FSM6JART	1571402-1
	160 +/-50 grams	Nylon 66	BLUE	.276 (7.0)	FSM6JRT	4-1437565-8
	260 +/-50 grams	PBT	RED	.197 (5.0)	FSM4JART	147997-1
	160 +/-50 grams	Nylon 66	BLACK	.197 (5.0)	FSM4JRT	4-1437565-0
	160 +/-50 grams	PBT	NATURAL	0.169 (4.3)	FSM2JRT	2-1437565-6
	260 +/-50 grams	PBT	RED	0.169 (4.3)	FSM2JART	2-1437565-2
	ACTUATION FORCE	ACTUATOR MATERIAL	ACTUATOR COLOR	DIM H	T&B P/N	PART NUMBER

THIS DRAWING IS A CONTROLLED DOCUMENT.		DWN	M.BINNER	29SEP05	
		CHK	M.SARVER	29SEP05	
		APVD	M.SARVER	29SEP05	
		PRODUCT SPEC			
DIMENSIONS: INCHES		TOLERANCES UNLESS OTHERWISE SPECIFIED:		NAME	
0 PLC ± -		1 PLC ± -		SWITCH, PUSHBUTTON	
2 PLC ± -		3 PLC ± .012		SIZE	
4 PLC ± -		ANGLES ± 1°		CAGE CODE	
MATERIAL SEE SPECIFICATIONS		FINISH SEE SPECIFICATIONS		DRAWING NO	
				A2 00779	
				SCALE	
				4:1	
				SHEET	
				1 OF 1	
				REV	
				R1	
				CUSTOMER DRAWING	