

REVISIONS					
P	LTR	DESCRIPTION	DATE	DWN	APVD
F1		REVISED PER ECR-24-208941	14AUG2024	BTV	KJ

SPECIFICATIONS:

MATERIALS-  
 INSULATOR: UL94V-0 (SEE TABLE FOR MATERIAL)  
 CONTACT: BERYLLIUM COPPER (SEE TABLE FOR PLATING)

ELECTRICAL-  
 CONTACT RESISTANCE: GOLD - 15 MILLIOHMS, PER MIL-STD-12883  
 TIN- 25 MILLIOHMS MAX

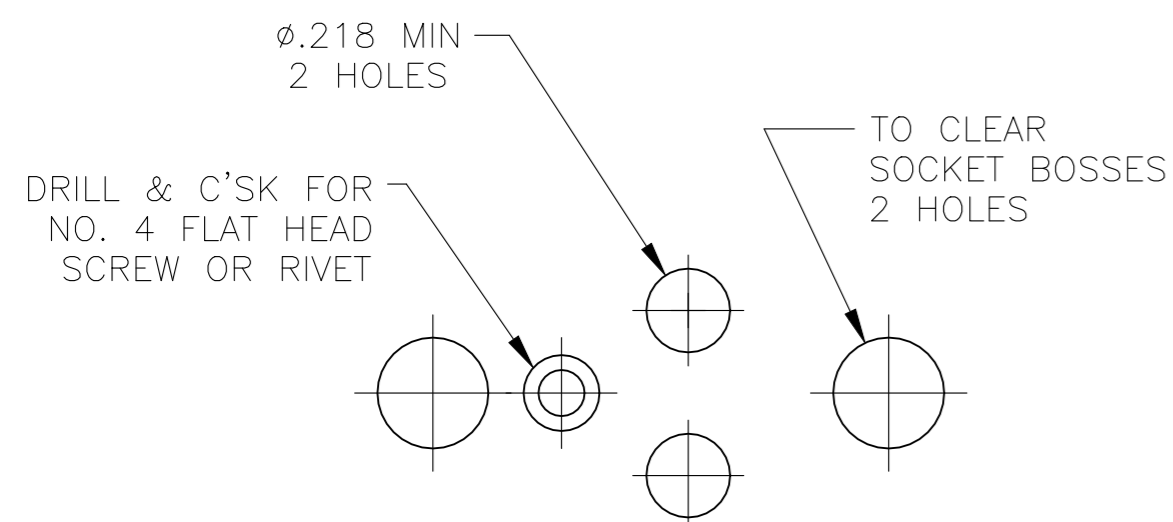
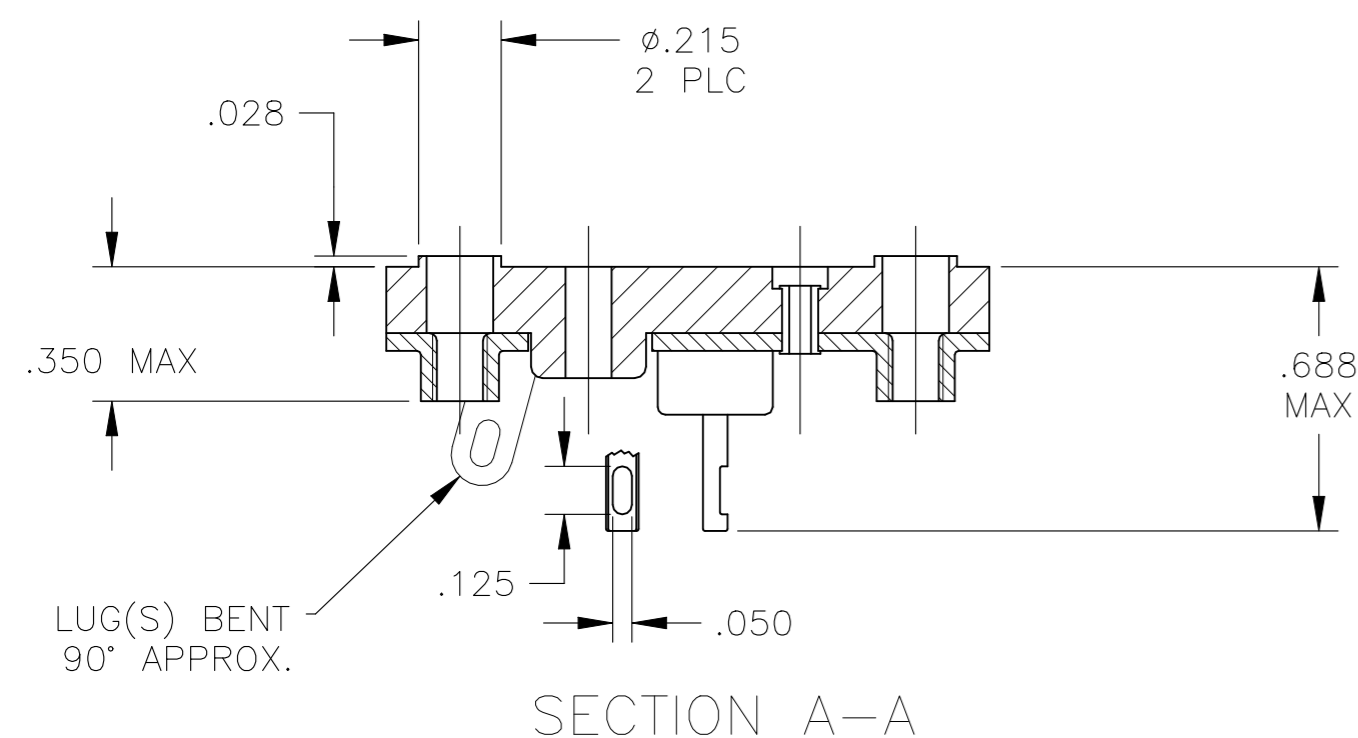
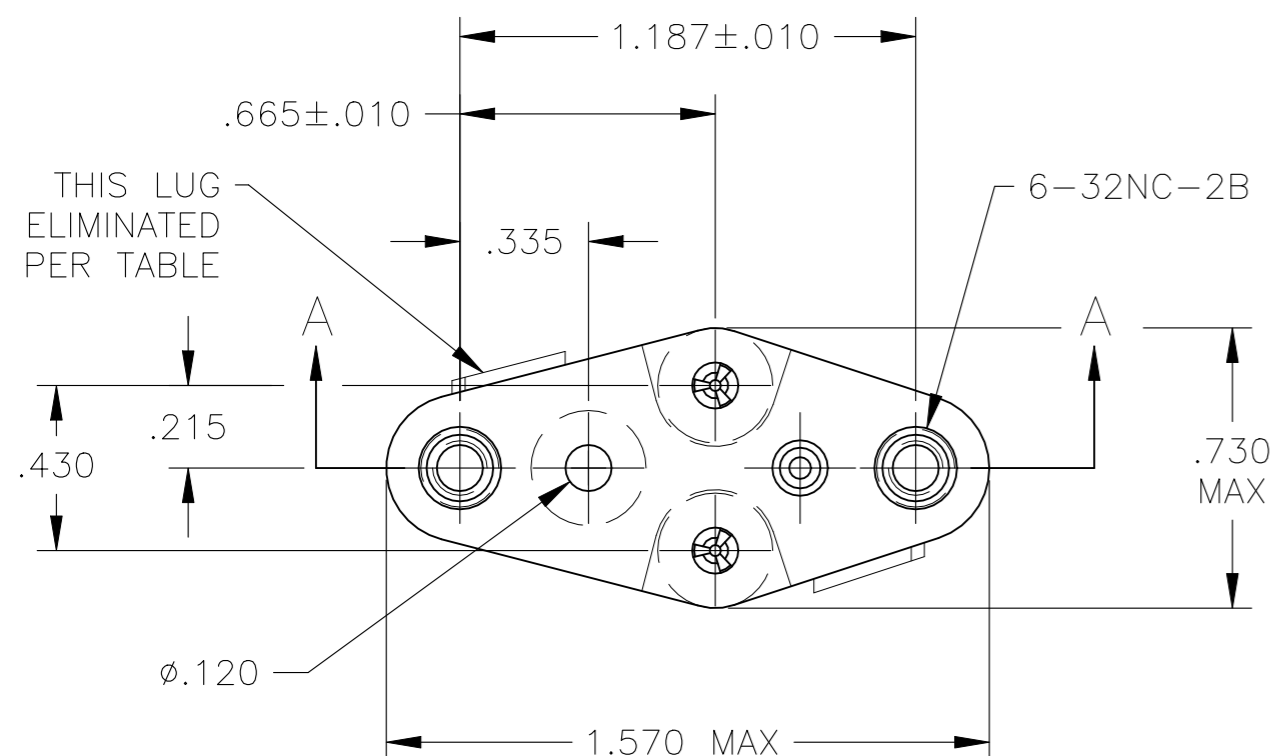
CONTACT RATING: 10 AMPS DC  
 DIELECTRIC WITHSTANDING VOLTAGE- 1500 VOLTS(RMS)

MECHANICAL-  
 OPERATIONAL TEMPERATURE: DAP -67F TO +257F  
 (-55C TO +125C)

NOTES

- INTERPRET DRAWING PER ASME Y14.5M-1994.
- THIS ASSEMBLY IS INTENDED FOR USE WITH SEMI-CONDUCTORS PACKAGED WITHIN THE OUTLINE DIMENSIONS OF THE "TO-3".
- LUG(S) IS AN INTEGRAL PART OF SADDLE.
- .000200 MIN THK TIN-LEAD PLATE OVER .000100 MIN THK COPPER PLATE.
- .000030 MIN THK GOLD PLATE OVER .000050 MIN THK NICKEL PLATE.
- .000500 MIN THK SILVER PLATE.
- .000050 MIN THK GOLD PLATE OVER .000050 MIN THK NICKEL PLATE.
- .000200 MIN THK TIN (LEAD FREE) PLATE OVER .000100 MIN THK COPPER PLATE.

9 OBSOLETE PARTS: OBSOLETE CIS STREAMLINING PER D.RENAUD/D.SINISI



RECOMMENDED CHASSIS HOLE LAYOUT

1	.040+.003/-0.002	DIALLYL PHTHALATE-GREEN OR BLUE	NOTE 5	8080-1G9-LF	5-6437504-5	
2	.040+.003/-0.002	DIALLYL PHTHALATE-GREEN OR BLUE	NOTE 5	8080-1G7-LF	5-6437504-3	
2	.040+.003/-0.002	DIALLYL PHTHALATE-GREEN OR BLUE	NOTE 8	8080-1G5-LF	5-6437504-2	
1	.040+.003/-0.002	DIALLYL PHTHALATE-GREEN OR BLUE	NOTE 6	8080-1G4-LF	5-6437504-0	
2	.040-.060	PHENOLIC-BLACK	NOTE 8	8080-1G20-LF	8-1437504-9	
2	.040+.003/-0.002	DIALLYL PHTHALATE-GREEN	NOTE 7	8080-1G19-LF	8-1437504-6	
2	.040-.060	PHENOLIC-BLACK	NOTE 8	8080-1G15-LF	8-1437504-3	
1	.040-.060	PHENOLIC-BLACK	NOTE 8	8080-1G14-LF	8-1437504-2	
2	.040+.003/-0.002	DIALLYL PHTHALATE-GREEN	NOTE 5	8080-1G10-LF	8-1437504-0	
OBSOLETE	2	.040-.060	DIALLYL PHTHALATE-GREEN OR BLUE	NOTE 6	8080-1G16-LF	6-1437504-6
	2	.040+.003/-0.002	DIALLYL PHTHALATE-GREEN OR BLUE	NOTE 8	8080-1G3-LF	6-1437504-5
	2	.040+.003/-0.002	DIALLYL PHTHALATE-GREEN OR BLUE	NOTE 6	8080-1G2-LF	6-1437504-4
OBSOLETE	2	.040+.003/-0.002	DIALLYL PHTHALATE-GREEN OR BLUE	NOTE 8	8080-1G1-LF	6-1437504-3
SUPERSEDED	1	.040+.003/-0.002	DIALLYL PHTHALATE-GREEN OR BLUE	NOTE 7	8080-1G18	5-1437504-9
OBSOLETE	1	.040+.003/-0.002	DIALLYL PHTHALATE-GREEN OR BLUE	NOTE 5	8080-1G9	5-1437504-5
	2	.040+.003/-0.002	PHENOLIC-BLACK	NOTE 5	8080-1G7	5-1437504-3
	2	.040+.003/-0.002	DIALLYL PHTHALATE-GREEN OR BLUE	NOTE 4	8080-1G5	5-1437504-2
	1	.040+.003/-0.002	DIALLYL PHTHALATE-GREEN OR BLUE	NOTE 6	8080-1G4	5-1437504-0
	1	.040+.003/-0.002	PHENOLIC-BLACK	NOTE 4	8080-1G3	4-1437504-2
9 OBSOLETE	2	.040-.060	PHENOLIC-BLACK	NOTE 4	8080-1G20	3-1437504-9
	2	.040+.003/-0.002	DIALLYL PHTHALATE-GREEN OR BLUE	NOTE 6	8080-1G2	3-1437504-8
	2	.040+.003/-0.002	DIALLYL PHTHALATE-GREEN OR BLUE	NOTE 7	8080-1G19	3-1437504-6
	2	.040-.060	DIALLYL PHTHALATE-GREEN OR BLUE	NOTE 6	8080-1G16	3-1437504-4
	2	.040-.060	PHENOLIC-BLACK	NOTE 4	8080-1G15	3-1437504-3
	1	.040-.060	PHENOLIC-BLACK	NOTE 4	8080-1G14	3-1437504-2
	2	.040+.003/-0.002	DIALLYL PHTHALATE-GREEN OR BLUE	NOTE 4	8080-1G13	3-1437504-1
	2	.040+.003/-0.002	DIALLYL PHTHALATE-GREEN OR BLUE	NOTE 5	8080-1G10	3-1437504-0
	2	.040+.003/-0.002	DIALLYL PHTHALATE-GREEN OR BLUE	NOTE 4	8080-1G1	2-1437504-9
LUG QTY (SEE NOTE 3)	LEAD DIA	INSULATOR MATERIAL/COLOR	CONTACT PLATING	AUGAT PT. NO. (REFERENCE)	PT. NO.	

9 OBSOLETE

THIS DRAWING IS A CONTROLLED DOCUMENT.

DWN	R BROWN	31MAR05
CHK	K WRIGHT	31MAR05
APVD	K WRIGHT	31MAR05

TE Connectivity

NAME: TRANSISTOR SOCKET

SIZE	A2	CAGE CODE	00779	DRAWING NO	C=2-1437504-9	RESTRICTED TO	-
SCALE	2:1	SHEET	1 OF 1	REV	F1		

CUSTOMER DRAWING