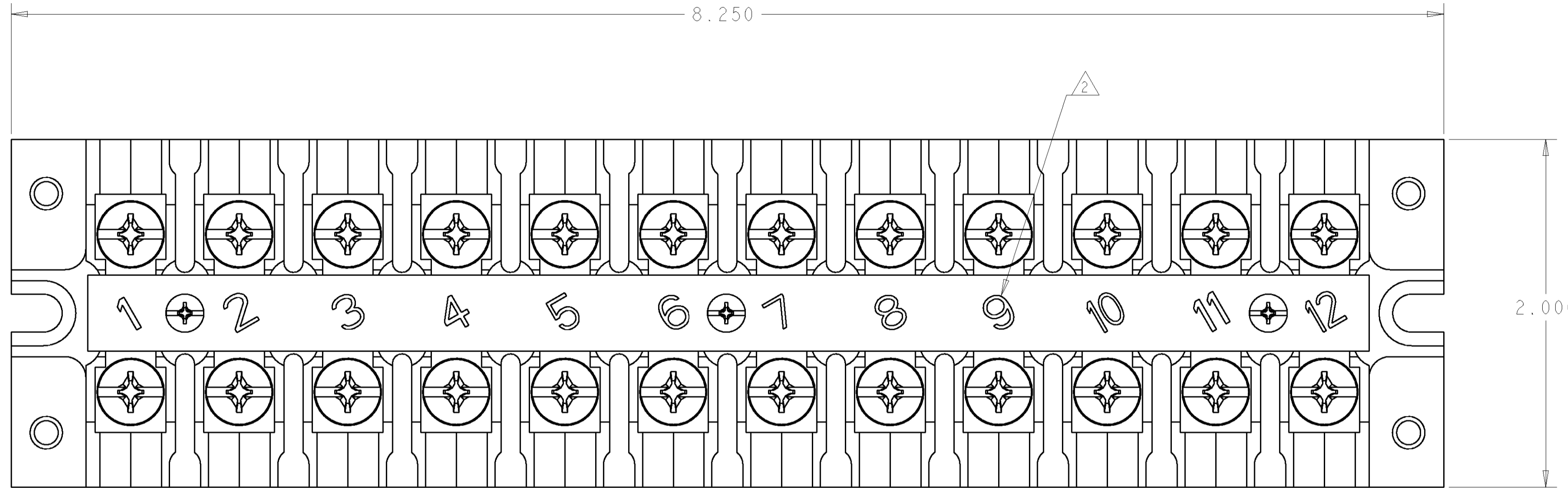
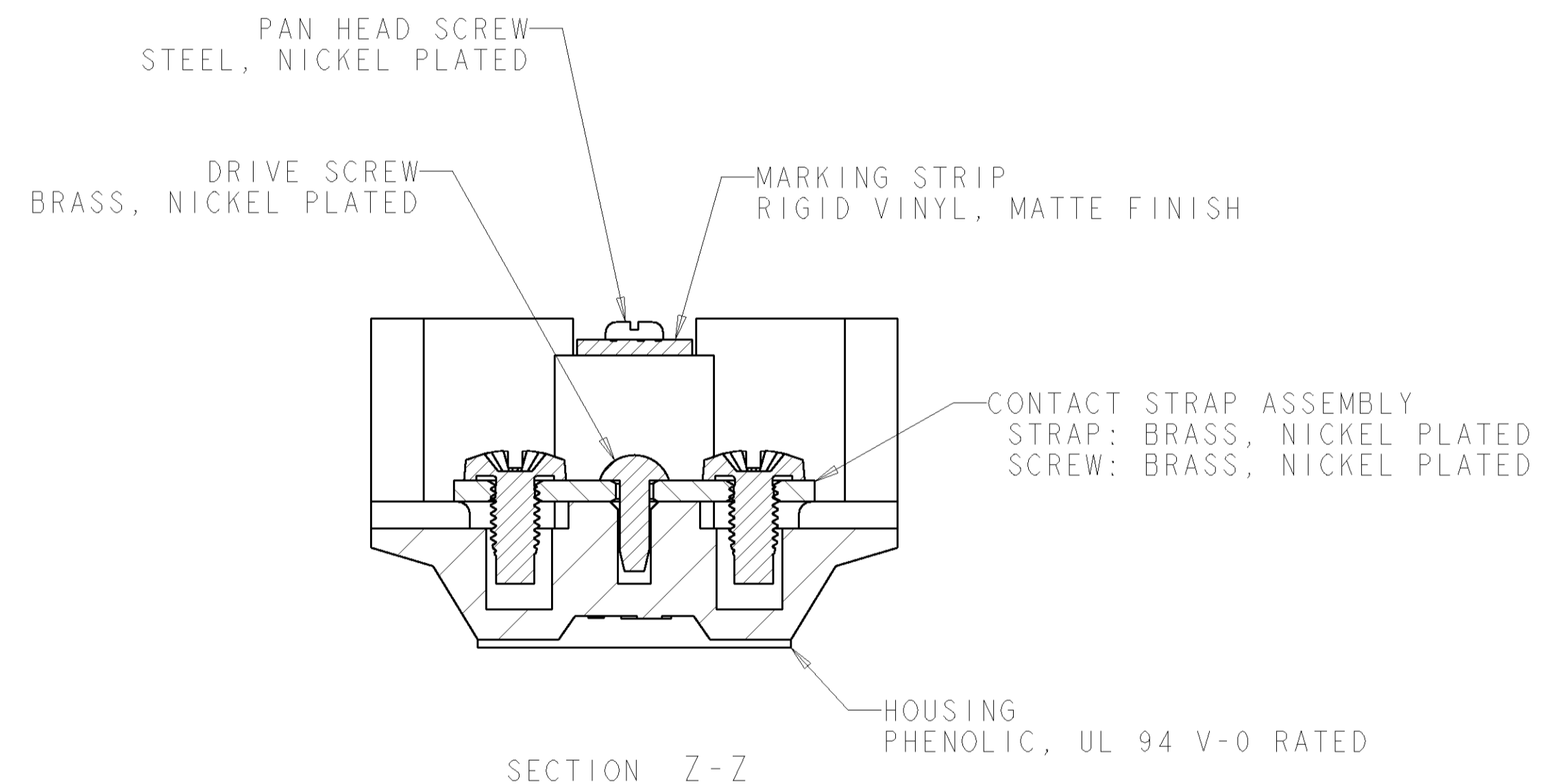
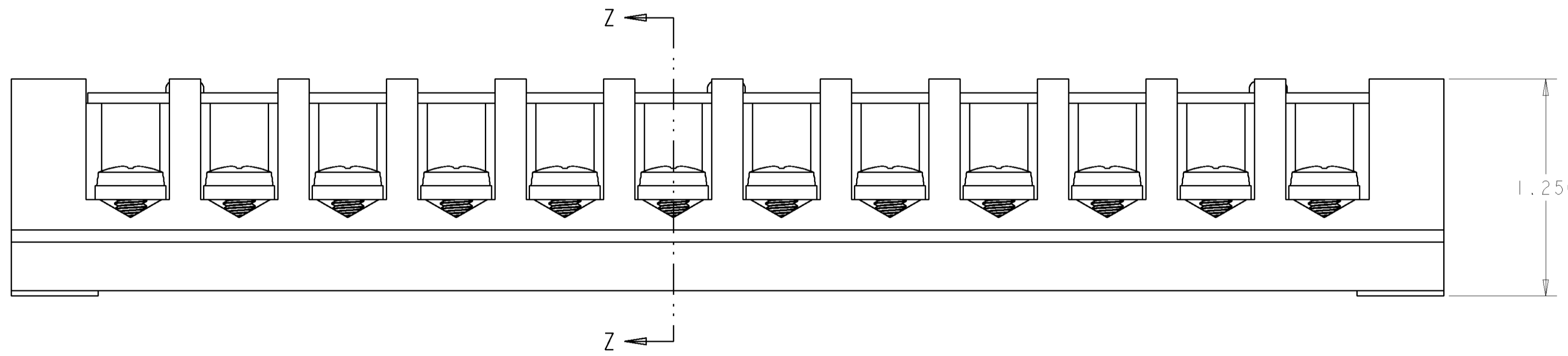


LOC	DIST	REVISIONS					
FT	0	P	LTR	DESCRIPTION	DATE	DWN	APVD
		A		RELEASED	05SEP2003	SW	SY



1. ALL PARTS TO BE ASSEMBLED AS SHOWN.  
 △ CHARACTERS INK STAMPED WHITE ON BLACK SIDE OF MARKING STRIP.



SECTION Z-Z

-	12	2B112N	3-1437381-5
OBSOLETE	8	2B108N	3-1437381-1
OBSOLETE	6	2B106N	2-1437381-8
OBSOLETE	4	2B104N	2-1437381-3
OBSOLETE	2	2B102N	2-1437381-1
STATUS	NO OF POSN	CATALOG NUMBER	PART NUMBER

DIMENSIONS: INCHES 		TOLERANCES UNLESS OTHERWISE SPECIFIED: 0 PLC ±.1 1 PLC ±0.1 2 PLC ±0.02 3 PLC ±0.005 4 PLC ±0.0005 ANGLES ±.1		DWN S. WELDON 05SEP2003 ENR S. YODER 05SEP2003 APVD S. YODER 05SEP2003		<b>BUCHANAN</b> Tyco Electronics Harrisburg, PA 17105-3608	
MATERIAL: - FINISH: -		WEIGHT: - CUSTOMER DRAWING		PRODUCT SPEC: - APPLICATION SPEC: -		NAME: BLOCK ASSEMBLY, ONE PIECE, .625 PITCH SIZE: A1 00779 C=2-1437381-1 SCALE: 2:1 SHEET 1 OF 1 REV A	