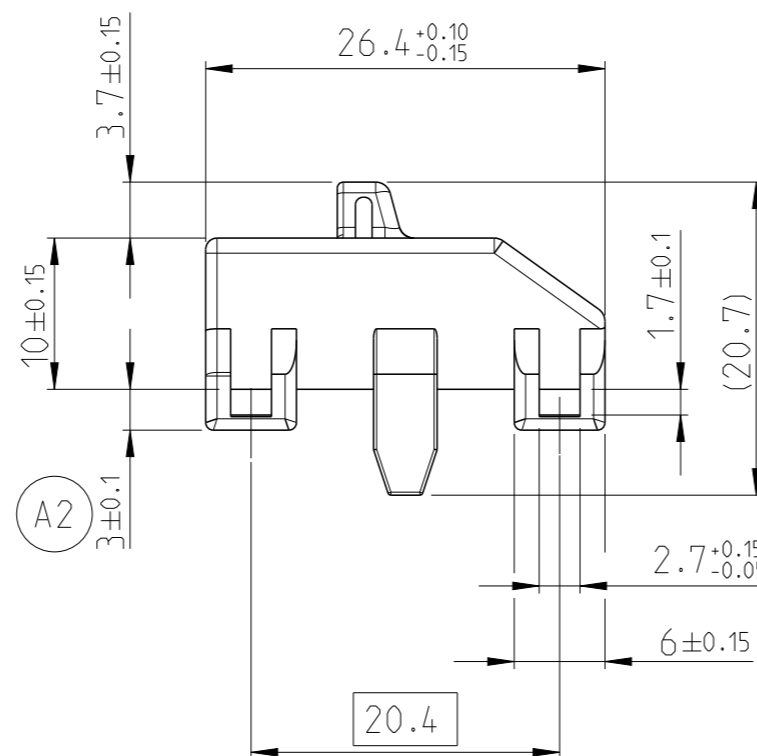
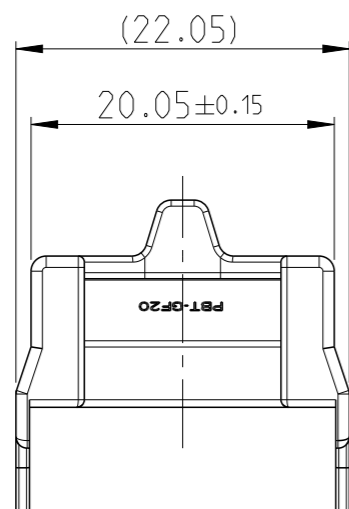
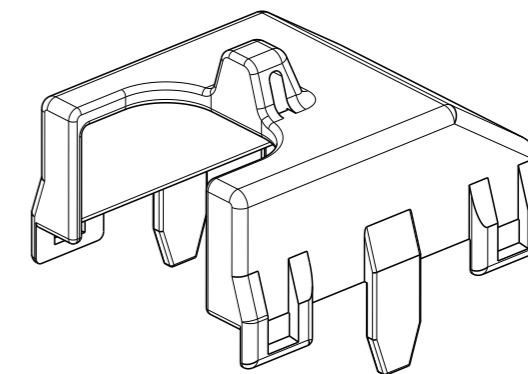
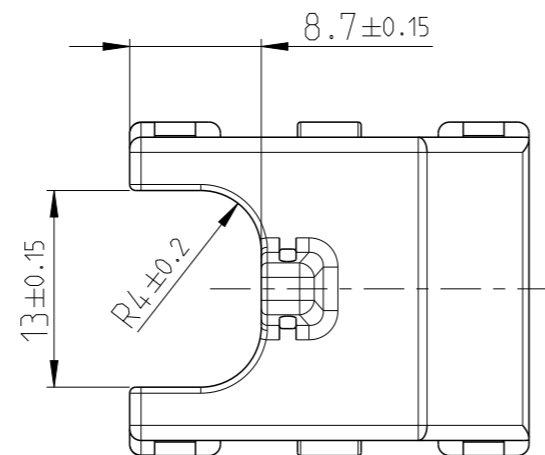


REVISIONS

P	LTR	DESCRIPTION	DATE	DWN	APVD
	A	INITIAL DRAWING	31OCT2014	SMS	KR
	A1	ECR-14-016638	07NOV2014	SMS	KR
	A2	ECR-19-012817	14AUG2019	RS	CW



NOTE:

1. COLOUR: BLACK (RAL9005)
2. MATED WITH PLUG ASSEMBLY:

2-1419158-1
2-1419158-0
1-1419158-9
1-1419158-8
2-1419158-2

THIS DRAWING IS A CONTROLLED DOCUMENT.

DWN MUTHU SAMY S 31OCT2014  
 CHK PARUSURAM I 31OCT2014  
 APVD K.ROTH 31OCT2014



DIMENSIONS:	TOLERANCES UNLESS OTHERWISE SPECIFIED:
mm	
	0 PLC ±
	1 PLC ±
	2 PLC ±0.1
	3 PLC ±0.05
	4 PLC ±
	ANGLES ±
MATERIAL FM-PBT-GF20	FINISH -

NAME 23 POS. GET, COVER, GEM  
 PRODUCT SPEC -  
 APPLICATION SPEC -  
 WEIGHT -  
 CUSTOMER DRAWING

SIZE	CAGE CODE	DRAWING NO	RESTRICTED TO
A3	-	©-2-1419158-4	
SCALE 5:1		SHEET 1 OF 1	REV A2