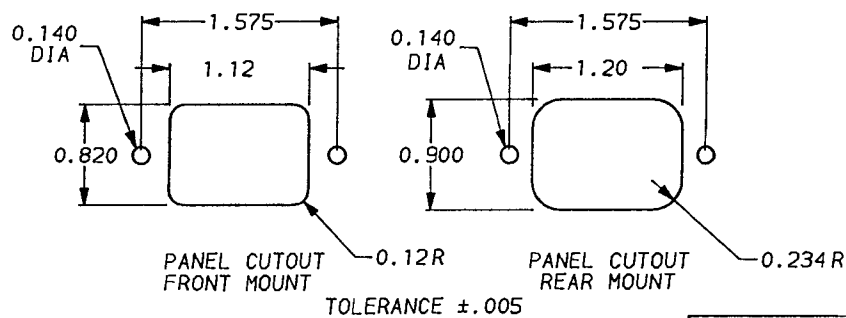
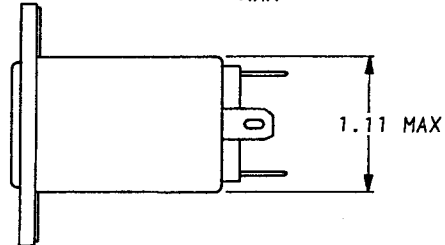
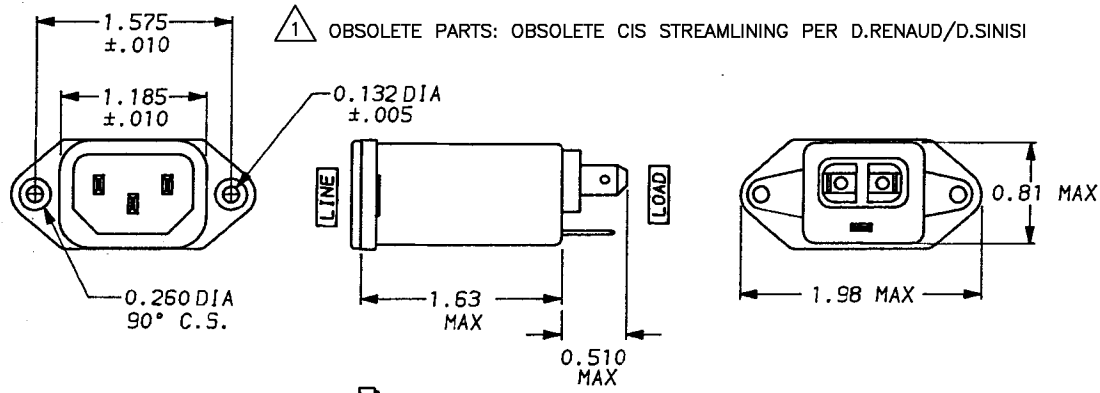


DESCRIPTION	APP'D./DATE	REV
C. Westby	11-20-91	1
ECO-09-026495	AEG/05DEC08	B1

1 OBSOLETE PARTS: OBSOLETE CIS STREAMLINING PER D.RENAUD/D.SINISI



6609002-1  
1609002-1 OBSOLETE 1

SAFETY ORGANIZATION(S)

THIS FILTER HAS BEEN FORMALLY RECOGNIZED, CERTIFIED OR APPROVED BY THE LISTED AGENCY. THEREFORE, ALL TEST/REQUIREMENTS SPECIFIED IN THE LATEST REVISION OF THE FOLLOWING AGENCY STANDARDS HAVE BEEN MET:

UL RECOGNIZED	UL 544
CSA CERTIFIED	CSA 22.2, NO.0,0.4,8
VDE APPROVED	VDE 0565-3, 0625

OPERATING SPECIFICATIONS

LINE VOLTAGE/CURRENT: 1 AMP., 120/250 VAC  
1 AMP./40°C, 250 VAC  
50-60Hz

LINE FREQUENCY: 30°C

MAX. CASE RISE @ RATED CURRENT: 2µA at 120V 60 Hz

MAX. LEAKAGE CURRENT, EACH LINE TO GROUND: 5µA at 250V 50 Hz

OPERATING AMBIENT TEMP. RANGE: -10°C TO +40°C @ RATED CURRENT, I<sub>r</sub>

IN AN AMBIENT, T<sub>a</sub>, HIGHER THAN 40°C, THE MAXIMUM OPERATING CURRENT, I<sub>o</sub>, IS AS FOLLOWS:

$$I_o = I_r \sqrt{\frac{85 - T_a}{45}}$$

RELIABILITY SPECIFICATIONS

STORAGE TEMPERATURE: -40°C TO +85°C

HUMIDITY: 21 DAYS @ 40°C 95% RH

CURRENT OVERLOAD TEST: 6 TIMES RATED CURRENT FOR 8 SECONDS

TEST SPECIFICATIONS

INDUCTANCE: 10.0 mH NOMINAL

CAPACITANCE: (MEASURED @ 1 KHz, 0.25 VAC MAX., 25°C ±1°C)

LINE TO GROUND: ZERO

LINE TO LINE: .009µF ±20%

DISCHARGE RESISTOR: 1.5 MΩ

LINE/GROUND AND LINE/LINE INSULATION RESISTANCE (W/O DISCHARGE RESISTOR): 6000 MΩ (MIN) AT 100 VDC 20°C AND 50% RH

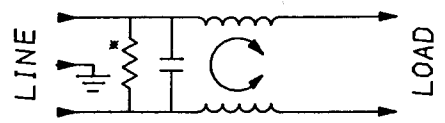
RECOMMENDED RECEIVING INSPECTION HIPOT

LINES TO GROUND: 1500 VAC FOR 1 MINUTE

LINE TO LINE: 1450 VDC FOR 1 MINUTE

FILTER APPROVAL

THE BEST WAY TO SELECT AND QUALIFY A FILTER IS FOR YOUR ENGINEERING TO TEST THE UNIT IN YOUR EQUIPMENT.



FREQUENCY MHz	50 <sub>n</sub> - 50 <sub>n</sub> (MINIMUM) INSERTION LOSS									
	.01	.05	.10	.15	.50	1	1.5	5	10	30
COMMON dB	8	21	29	32	42	45	42	32	30	19
DIFF. dB	-	-	-	-	-	5	13	28	32	25

TOLERANCE EXCEPT AS NOTED  
DECIMAL: .XXX .XX .X ANGLES  
ENGLISH: ±.025 ± 1°  
METRIC: ±

MATERIAL: AS SUPPLIED

FINISH: AS SUPPLIED



POWER LINE FILTER

\*RESISTOR ADDED TO PRODUCT BUILT AFTER 3-30-92 (9212).

This document is proprietary to CORCOM INC. and is not to be reproduced nor used for manufacturing purposes except on CORCOM's order or prior written consent.

SCALE: NTS DATE: 9-19-91 DRG. NO.: 1EAH1 REV.: B1  
DRW. BY: CFW ORIGINATOR: CFW