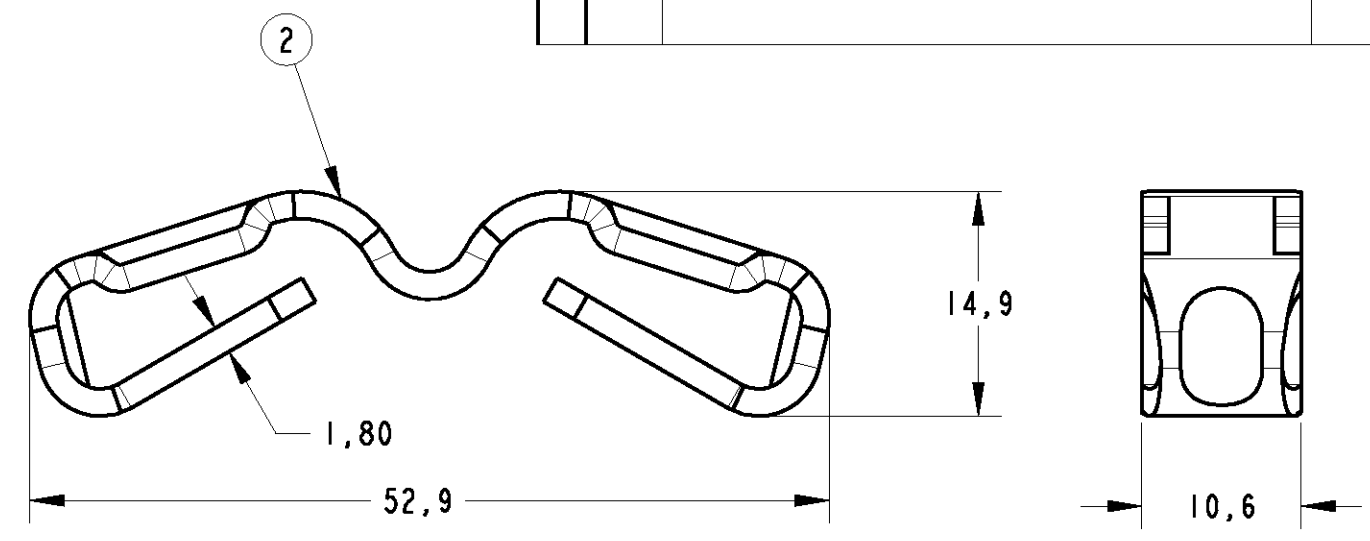
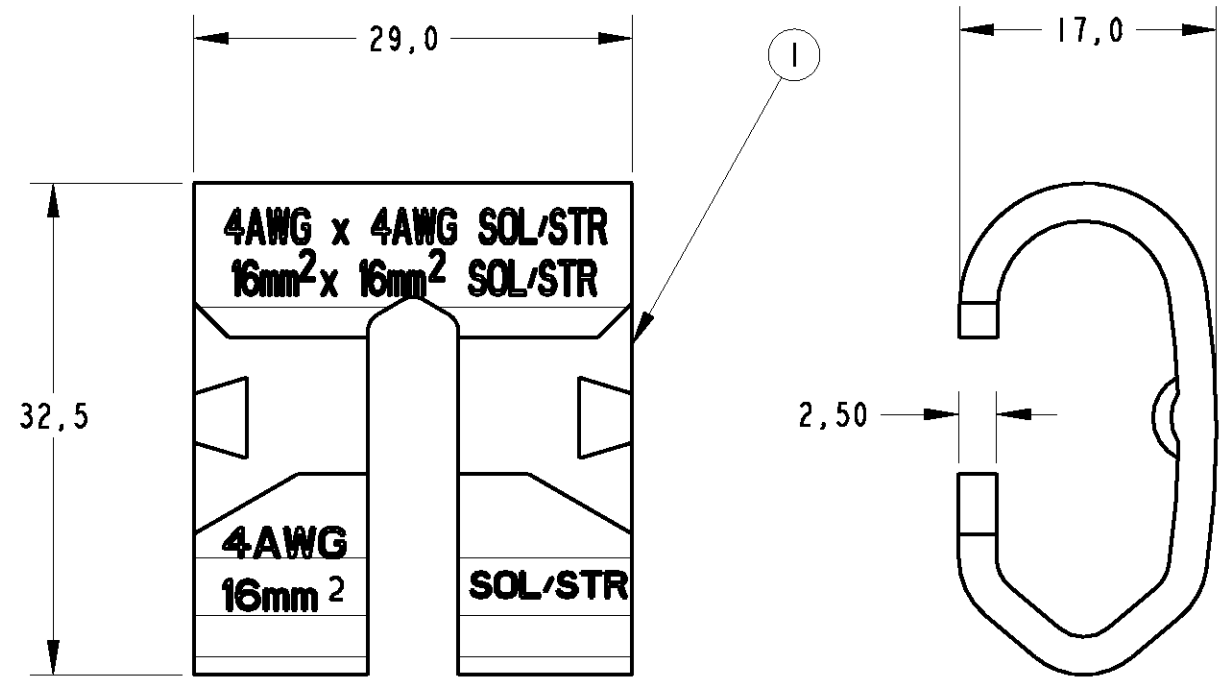


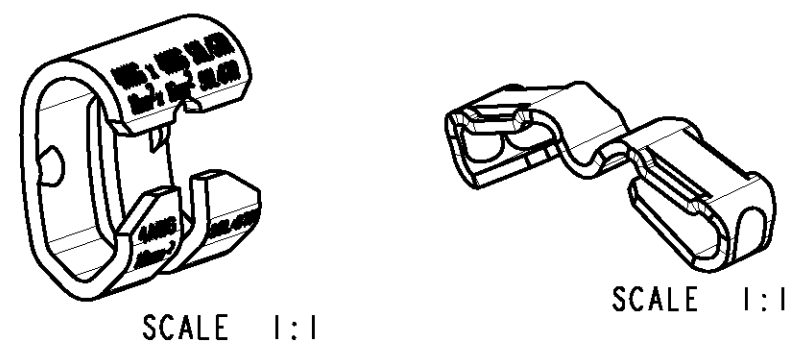
THIS DRAWING IS UNPUBLISHED. RELEASED FOR PUBLICATION 20
 © COPYRIGHT 20 BY TYCO ELECTRONICS CORPORATION. ALL RIGHTS RESERVED.

LOC	DIST	REVISIONS			
P	LTR	DESCRIPTION	DATE	DWN	APVD
AP	-	A	RELEASED	06MAR2007	VF JAL
		AI	REVISED BY ECO-07-015086	28JUN2007	VF JAL



- 1 - PACKAGED IN PLASTIC BAG, CONTAINED USUAL COMBINATIONS ENGRAVING.
- 2 - ONLY FOR CUSTOMER RGE.
- 1 - EMBALADO EM SACO PLÁSTICO, CONTENDO GRAVAÇÃO DAS COMBINAÇÕES USUAIS.
- 2 - SOMENTE PARA CLIENTE RGE.

REQ. PER ASS'Y	ITEM	MATERIAL	DESCRIPTION
4	1	POLYETHYLENE	PLASTIC BAG
3	2	POLYETHYLENE	PLASTIC BAG
2	3	COPPER ALLOY	TGC "WING" MEMBER
1	4	STAINLESS STEEL	TGC "C" MEMBER
-2	2	-1	



CAD
DO NOT REVISE EXCEPT BY CAD

THIS DRAWING IS A CONTROLLED DOCUMENT FOR TYCO ELECTRONICS CORPORATION. IT IS SUBJECT TO CHANGE AND THE CONTROLLING ENGINEERING ORGANIZATION SHOULD BE CONTACTED FOR THE LATEST REVISION.

DIMENSIONS:	TOLERANCES UNLESS OTHERWISE SPECIFIED:	DWN	06MAR2007	Tyco Electronics LTDA. São Paulo, Brasil
mm	0 PLC ±	CHK	06MAR2007	
	1 PLC ±1.0	APVD	06MAR2007	
	2 PLC ±	PRODUCT SPEC	108-37051	
	3 PLC ±	APPLICATION SPEC	411-37030	NAME
	4 PLC ±	WEIGHT		TGC ASS'Y
	ANGLES ±			16 x 16mm ² (4x4AWG)
	FINISH -			SIZE
MATERIAL	SEE TABLE			A3
				CAGE CODE
				00779
				DRAWING NO
				C=1989112
				RESTRICTED TO
				-
				SCALE
				2:1
				SHEET
				1
				OF
				1
				REV
				AI

CUSTOMER DRAWING