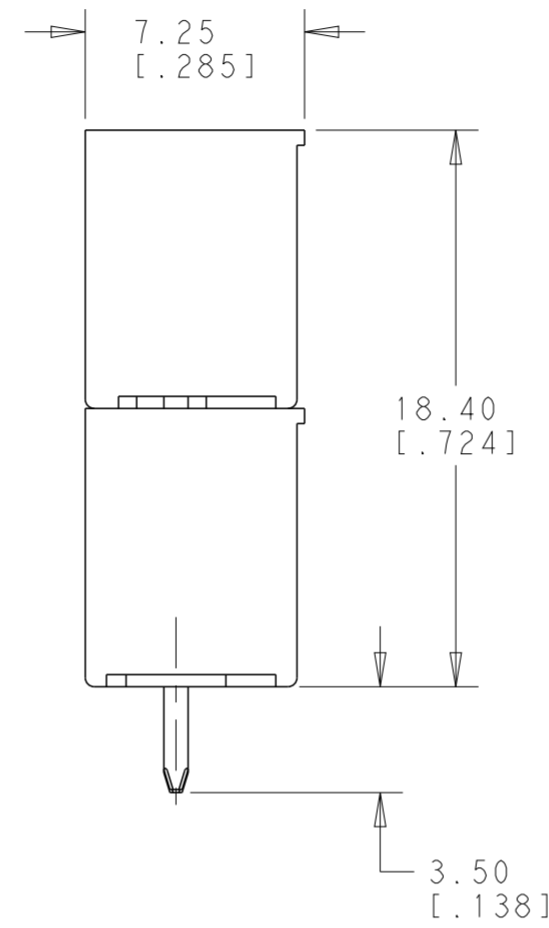
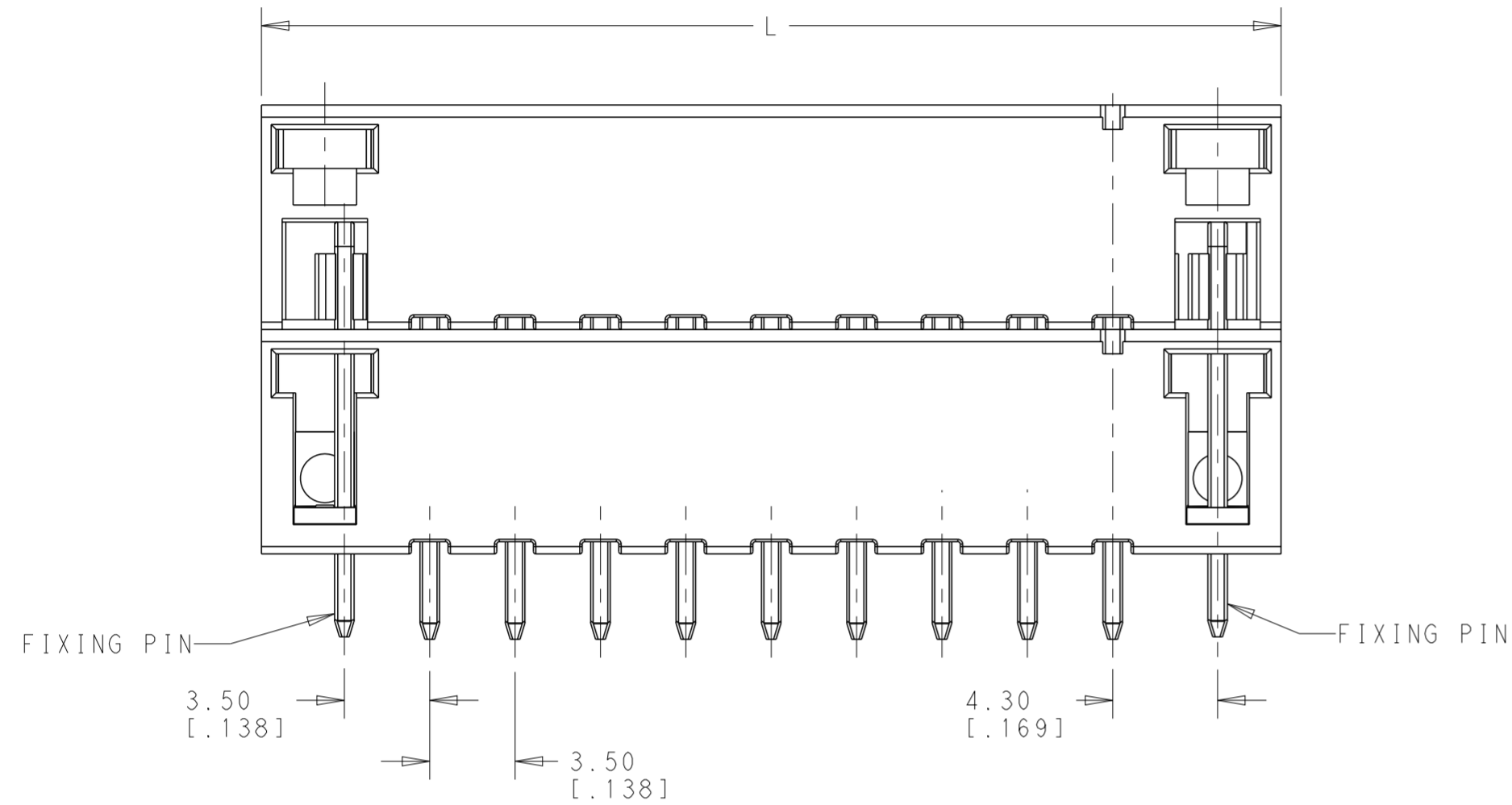
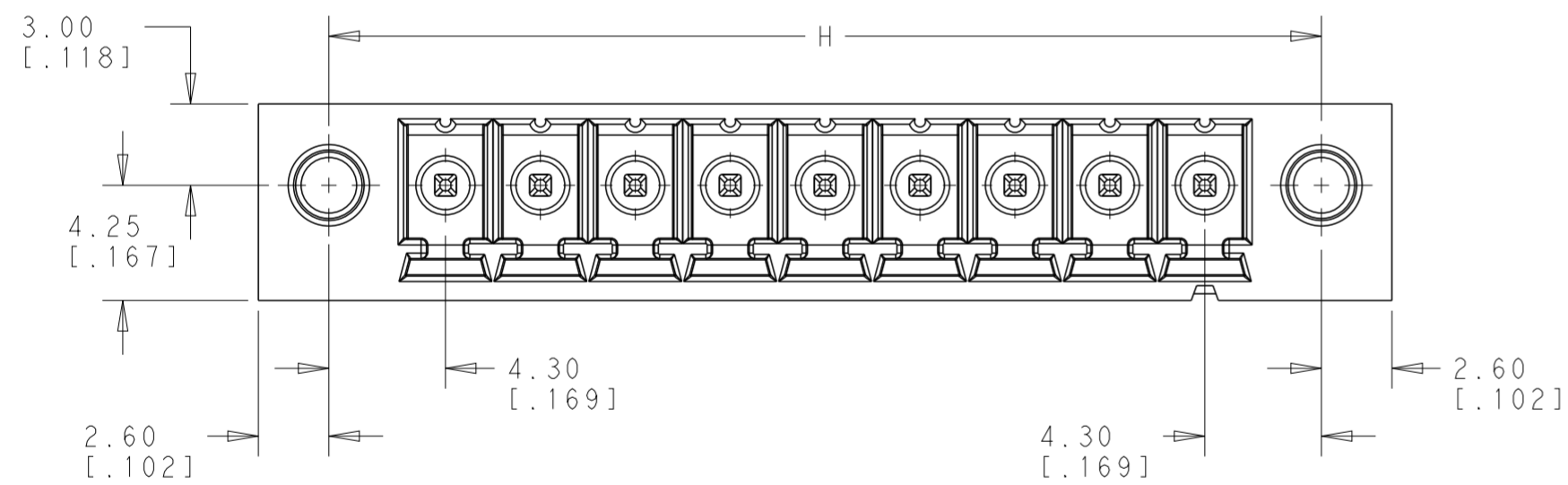


THIS DRAWING IS UNPUBLISHED. RELEASED FOR PUBLICATION 20
 © COPYRIGHT 20 BY - ALL RIGHTS RESERVED.

REVISIONS							
LOC	DIST	P	LTR	DESCRIPTION	DATE	DWN	APVD
-	-	1		NEW DRAWING PER ECO-12-014709	25AUG2012	KH	MB




- 1. HOUSING POLAMIDE 66.
- 2. PCB THICKNESS: 1.6mm-2.4mm.
- 3. ELECTRICAL CHARACTERISTICS:
 RATED VOLTAGE: 300V
 RATED CURRENT: 11A



**NEW PRODUCT
 PRELIMINARY
 IN DEVELOPMENT**

BLACK	TIN	41.80[1.646]	36.60[1.441]	9	1986772-9
COLOR	PLATING	L	H	NO. OF POS.	PART NUMBER

THIS DRAWING IS A CONTROLLED DOCUMENT.		DWN KIRAN, HOLAL	25AUG2012	 TE Connectivity NAME TERMINAL BLOCK, HEADER ASSEMBLY STRAIGHT, WITH SCREW FLANGE, 3.5MM PITCH			
DIMENSIONS: mm[INCHES]		CHK BRUBAKER, MARK	25AUG2012				
TOLERANCES UNLESS OTHERWISE SPECIFIED:		APVD BRUBAKER, MARK	25AUG2012				
0 PLC ±- 1 PLC ±- 2 PLC ±0.15[.006] 3 PLC ±0.10[.004] 4 PLC ±- ANGLES ±- FINISH ±-		PRODUCT SPEC	-				
MATERIAL	-	APPLICATION SPEC	-	SIZE	CAGE CODE	DRAWING NO	RESTRICTED TO
		WEIGHT	-	A2	00779	C-1986772	-
CUSTOMER DRAWING				SCALE	2:1	SHEET	1 OF 1
				REV	1		