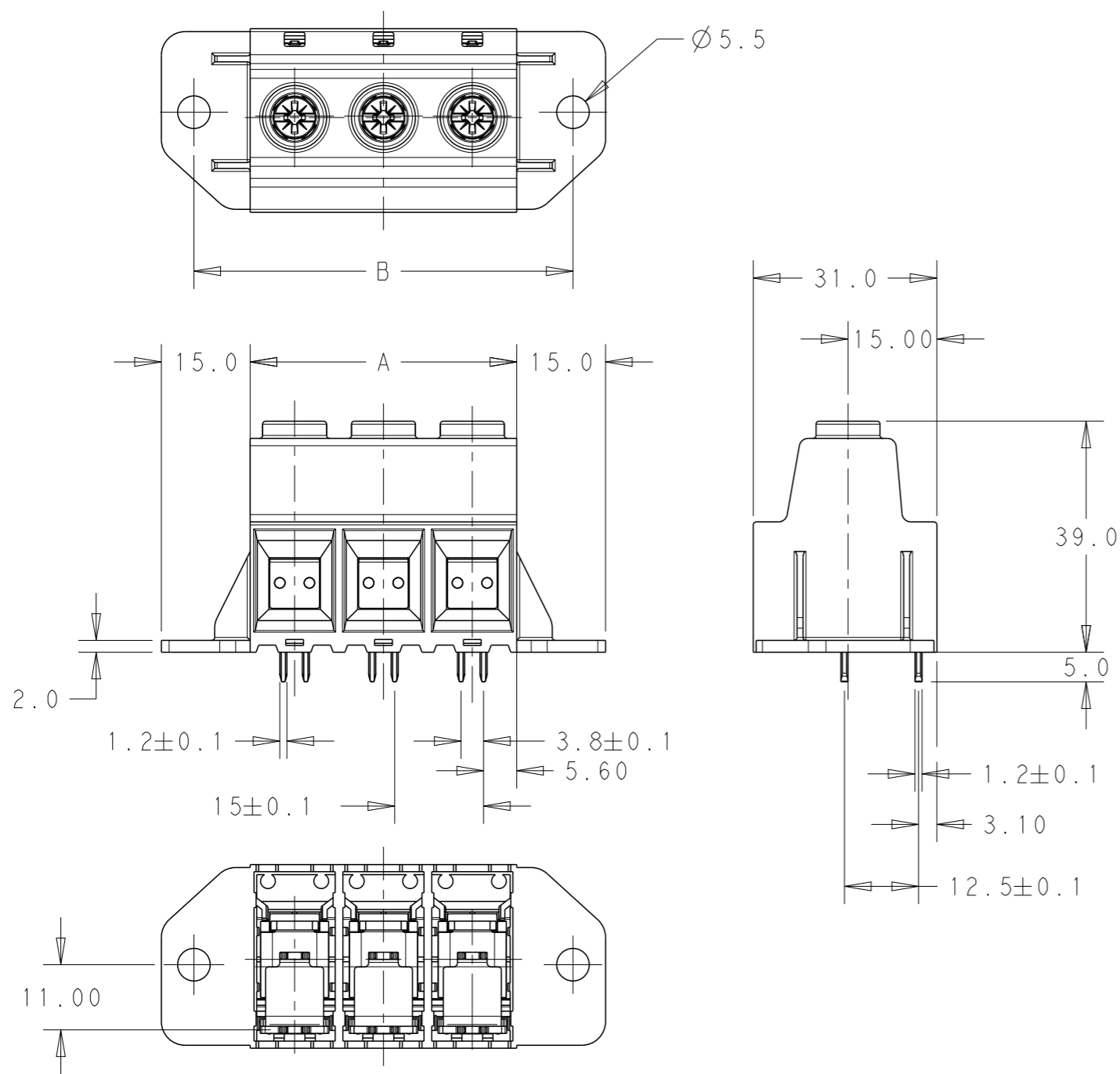


LOC  
AI

DIST  
-

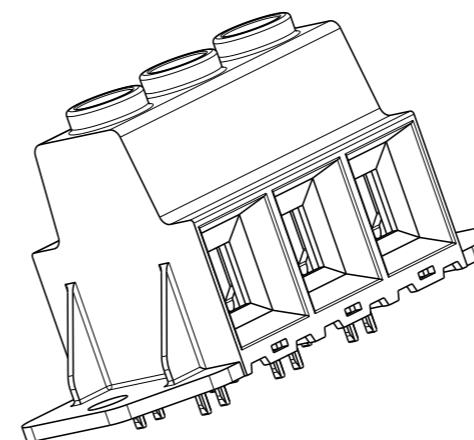
REVISIONS

P	LTR	DESCRIPTION	DATE	DWN	APVD
	B1	DIM "B" ADDED	05DEC2014	PS	JK



NOTES:

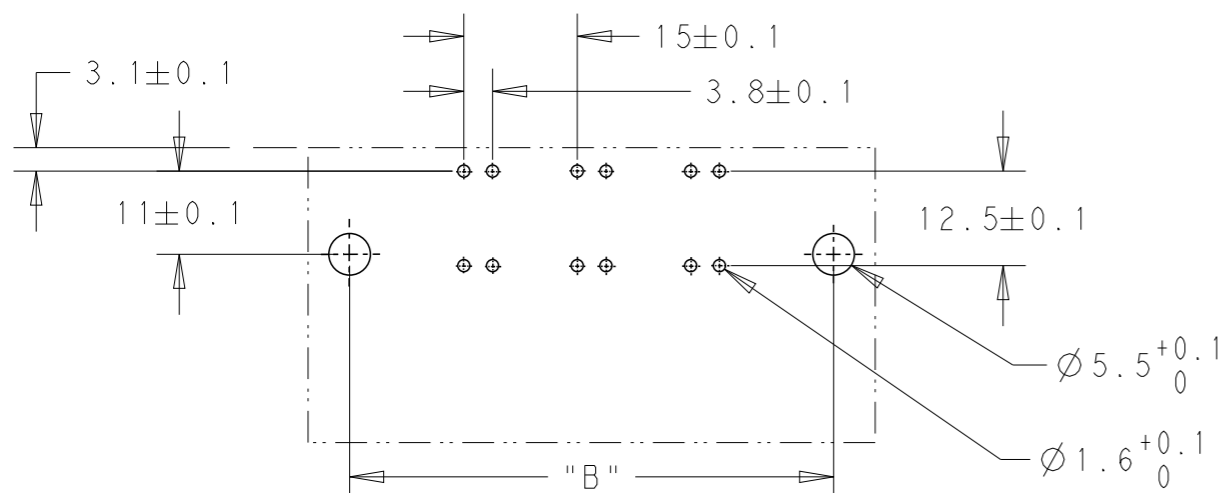
- MATERIALS:**  
 HOUSING-PA66, UL94 VO, COLOR-GREEN  
 SCREW- M5, STEEL, NICKEL PLATED  
 CLAMP- STEEL, NICKEL PLATED  
 CONTACT PIN- BRASS, TIN PLATED
- MECHANICAL:**  
 PCB THICKNESS-2.40 MAX  
 PCB HOLE DIAMETER-1.60 MIN  
 STRIP LENGTH-18 mm  
 OPERATING TEMPERATURE: -40°C TO +110°C  
 RECOMMENDED/HIGHEST TIGHTENING TORQUE-2.1/2.5 Nm.
- ELECTRICAL:**  
 WIRE RANGE- 20 TO 1 AWG  
 VOLTAGE RATING- 600 VOLTS  
 CURRENT RATING-130 A FIELD WIRING;135A FACTORY WIRING  
 CONTACT RESISTANCE-15 mOHM MAX  
 INSULATION RESISTANCE- $10^9$  OHMS MIN (500V DC)



SCALE 1:1  
-3 AS SHOWN

199.00	180.00	12	1-1986715-2
184.00	165.00	11	1-1986715-1
169.00	150.00	10	1-1986715-0
154.00	135.00	9	1986715-9
139.00	120.00	8	1986715-8
124.00	105.00	7	1986715-7
109.00	90.00	6	1986715-6
94.00	75.00	5	1986715-5
79.00	60.00	4	1986715-4
64.00	45.00	3	1986715-3
49.00	30.00	2	1986715-2
DIM "B"	DIM "A"	POLE	PART NUMBER

RECOMMENDED PCB LAYOUT



THIS DRAWING IS A CONTROLLED DOCUMENT.

DWN 13SEP2011 RAGHAVENDRA

CHK 13SEP2011 SARVER MICHAEL

APVD 13SEP2011 SARVER MICHAEL

PRODUCT SPEC -

APPLICATION SPEC -

WEIGHT -

Customer Drawing



TE Connectivity

NAME POWER TERMINAL BLOCK, DOUBLE PIN MOUNTING FLANGES; PITCH 15.00 mm

SIZE A3 CAGE CODE 00779 DRAWING NO C-1986715 RESTRICTED TO -

SCALE 1:1 SHEET 1 OF 1 REV B1