

THIS DRAWING IS UNPUBLISHED.

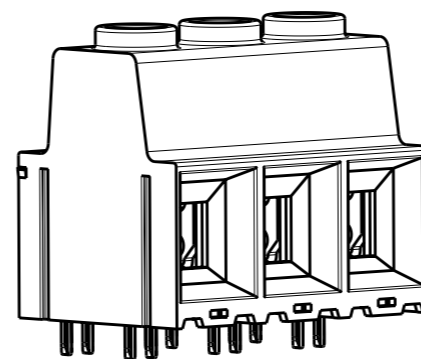
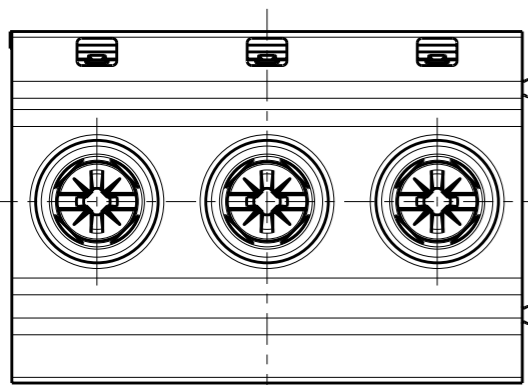
RELEASED FOR PUBLICATION

2011

© COPYRIGHT 2011

ALL RIGHTS RESERVED.

LOC	DIST	REVISIONS			
P	LTR	DESCRIPTION	DATE	DWN	APVD
AI	-	B	REVISED PER ECO-12-005569	22MAR2012	HRY MS

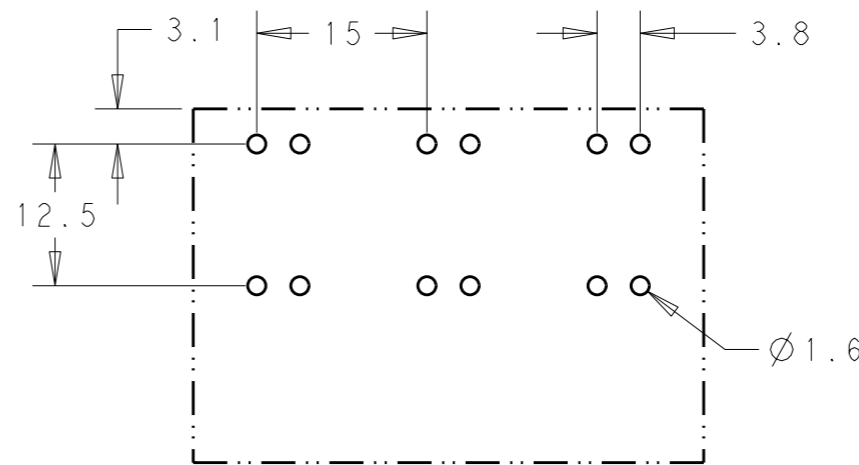
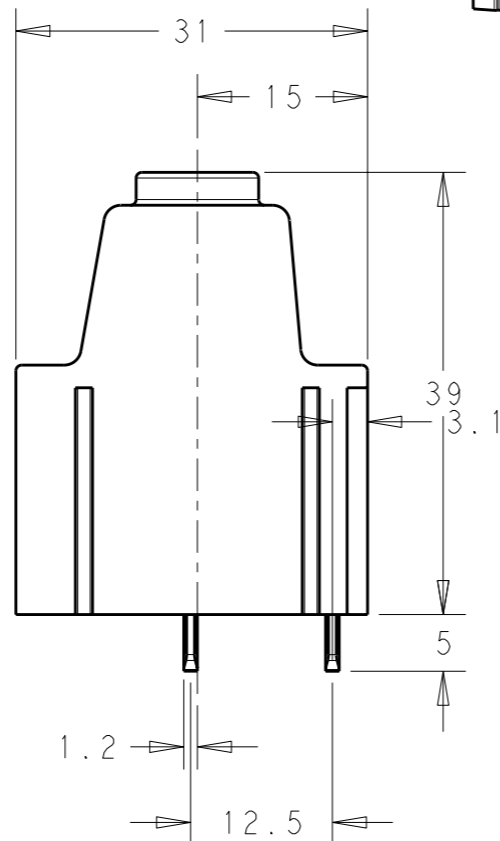
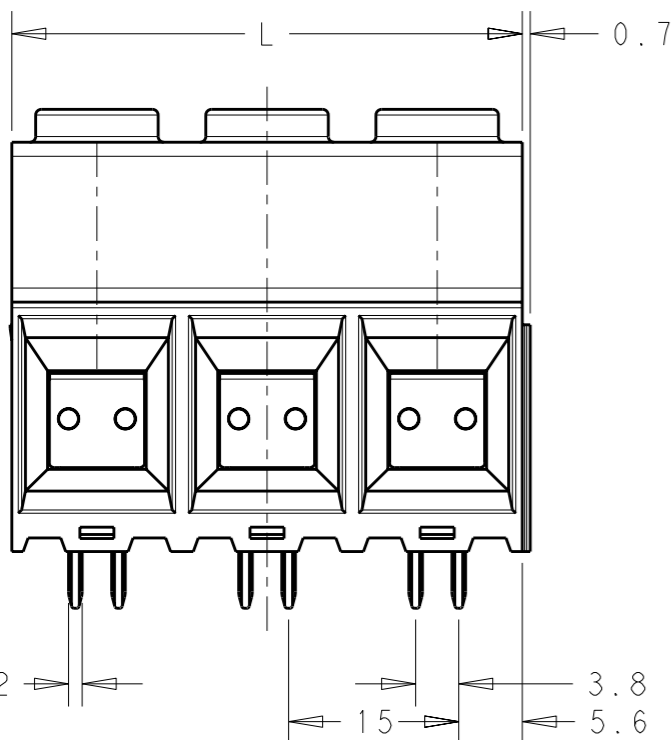


SCALE 1:1  
-3 AS SHOWN

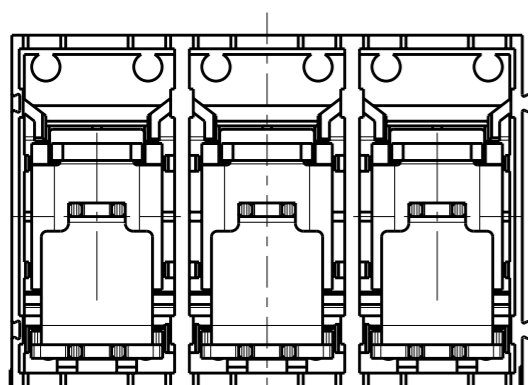
MATERIALS:  
 HOUSING-POLYAMIDE, COLOR-GREEN  
 SCREW- M5,NICKEL PLATED STEEL.  
 CLAMP- TIN PLATED STEEL.  
 PIN-TIN OVER NICKEL PLATED COPPER ALLOY.


MECHANICAL:  
 PCB THICKNESS-2.40 MAX  
 PCB HOLE DIAMETER-1.60 MIN  
 STRIP LENGTH-18 MM  
 OPERATING TEMPERATURE--40°C TO +110°C  
 TORQUE-2.1~2.5 Nm

ELECTRICAL:  
 WIRE RANGE- 20 TO 1 AWG  
 VOLTAGE RATING- 600 VOLTS  
 CURRENT RATING-130 AMP FIELD WIRING; 135 AMP FACTORY WIRING  
 CONTACT RESISTANCE-15 MILLOHM MAX  
 INSULATION RESISTANCE-10<sup>9</sup> OHMS MIN (500V DC)



180.00	12	1-1986713-2
165.00	11	1-1986713-1
150.00	10	1-1986713-0
135.00	9	1986713-9
120.00	8	1986713-8
105.00	7	1986713-7
90.00	6	1986713-6
75.00	5	1986713-5
60.00	4	1986713-4
45.00	3	1986713-3
30.00	2	1986713-2
DIM L	POLE	PART NUMBER



THIS DRAWING IS A CONTROLLED DOCUMENT.		DWN 12SEP2011 RAGHAVENDRA	 TE Connectivity	
DIMENSIONS: mm		CHK 12SEP2011 SARVER MICHAEL		
TOLERANCES UNLESS OTHERWISE SPECIFIED:		APVD 12SEP2011 SARVER MICHAEL	NAME POWER TERMINAL BLOCK, SOLDERABLE UP TO 275DEG C DOUBLE PIN MODULAR 02 - 12 POLES PITCH 15.00mm	
0 PLC ±- 1 PLC ±0.50 2 PLC ±0.25 3 PLC ±- 4 PLC ±- ANGLES ±1°		PRODUCT SPEC	SIZE CAGE CODE DRAWING NO RESTRICTED TO	
MATERIAL - FINISH -		APPLICATION SPEC	A300779 C-1986713	
		WEIGHT -	SCALE 1:1 SHEET 1 OF 1 REV B	
		CUSTOMER DRAWING		