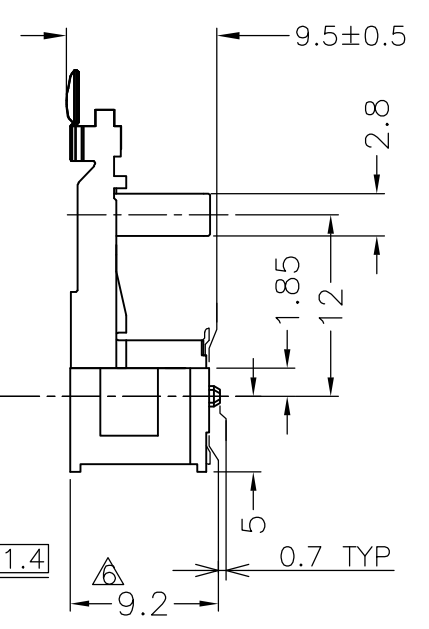
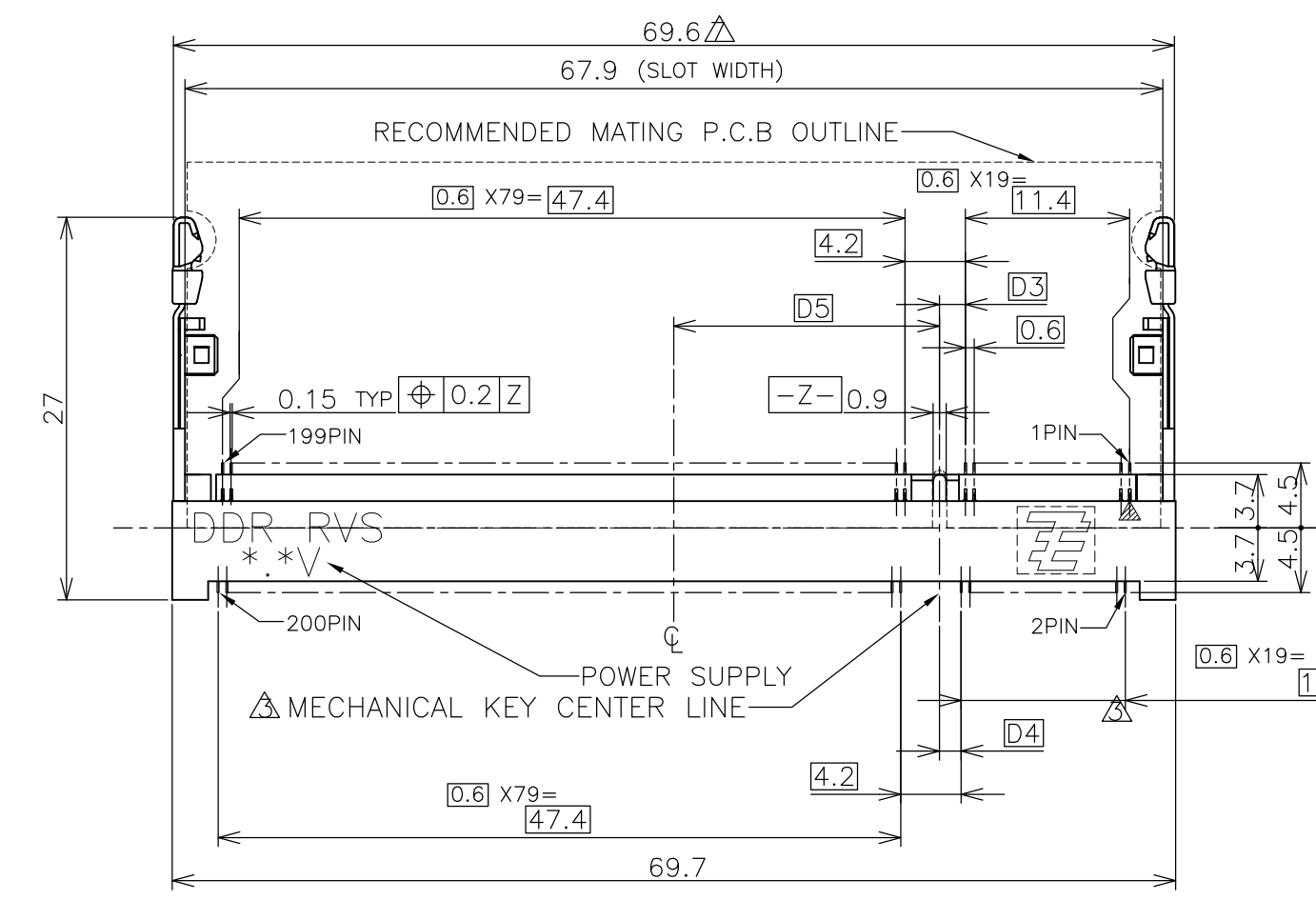
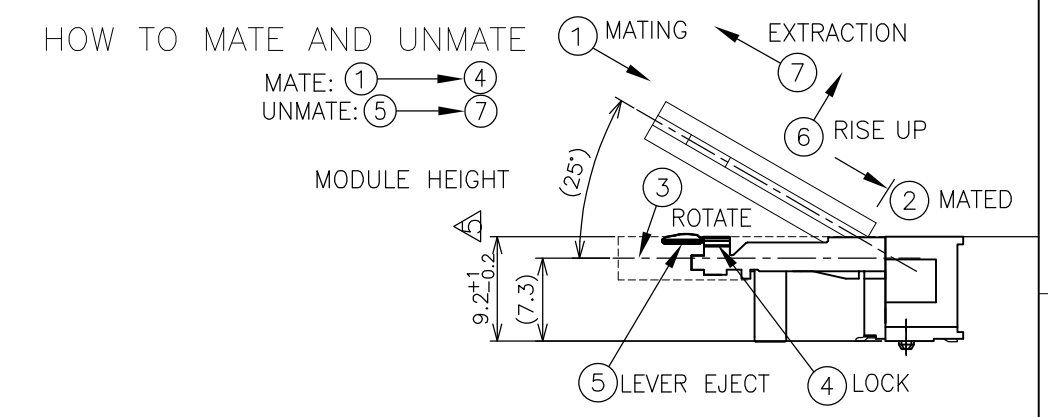
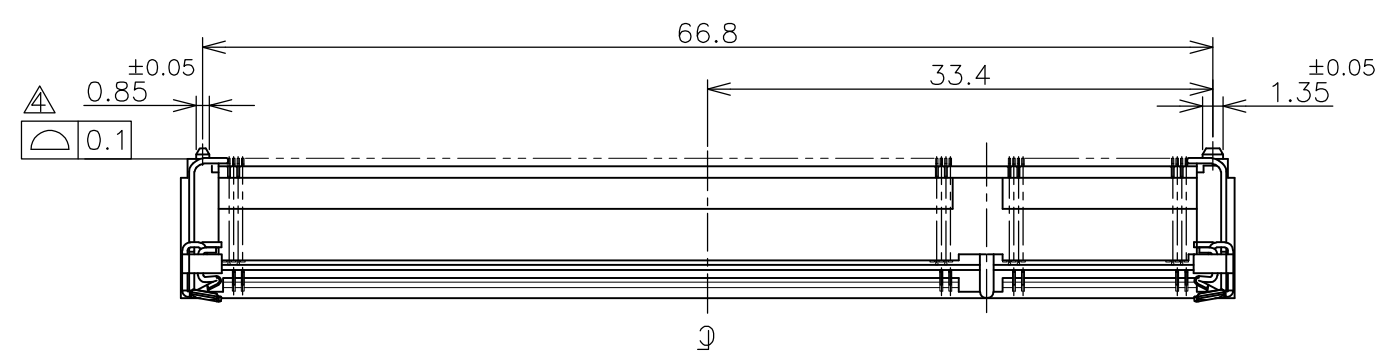


THIS DRAWING IS UNPUBLISHED. RELEASED FOR PUBLICATION MAR, 2007.  
 © COPYRIGHT 2007 By - ALL RIGHTS RESERVED.

REVISIONS					
P	LTR	DESCRIPTION	DATE	DWN	APVD
	C	REVISED PER ECR-17-002461	24FEB17	D.Z	S.L



- (APPLIED TO SHEET 1-2)
- MATERIAL ; HOUSING: HIGH TEMPERATURE THERMO PLASTIC UL94V-0  
CONTACT: COPPER ARROY  
LOCK LEVER: STAINLESS STEEL
  - FINISH ; CONTACT AREA: GOLD PLATING ON ALL OVER NICKEL.  
SOLDERING AREA: GOLD FLASH PLT.  
LOCK LEVER: TIN PLATING.
- MECHANICAL KEY POSITION OF CONNECTOR SEE TABLE.
  - COPLANARITY : 0.1 MAX.
  - THE FLOATING VALUE BY SOLDERING IS NOT INCLUDED.
  - NOT MATING CONDITION.
  - IN CASE OF MODULE BOARD LOCK AND EJECT, LATCH MAXIMUM WIDTH: 75mm.
  - TOLERANCES NON-CUMULATIVE.
  - CARD GUIDE AND STRUT COMPONENT KEEP-OUT ZONE.
  - INSIDE MUST BE RESIST COAT EXCEPT SOLDER PATTERN.

GENERAL TOLERANCE  
 10 ≥ : ±0.2  
 30 ≥ > 10: ±0.3  
 100 ≥ > 30: ±0.5  
 ANGLES: ±3'

THIS DRAWING IS A CONTROLLED DOCUMENT.

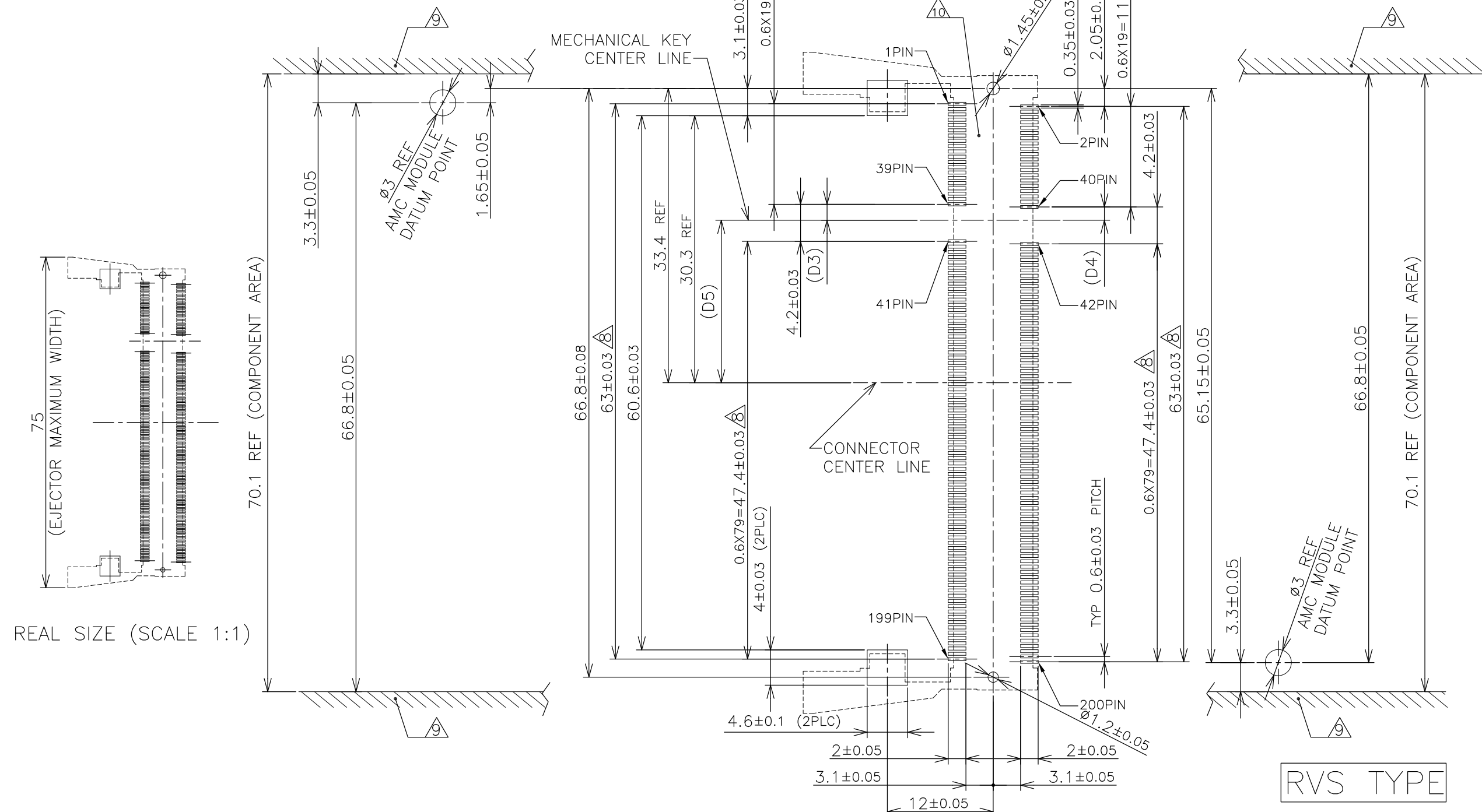
DIMENSIONS: MM	TOLERANCES UNLESS OTHERWISE SPECIFIED:
	0 PLC ± -
	1 PLC ± -
	2 PLC ± -
	3 PLC ± -
	4 PLC ± -
	ANGLES ± -
MATERIAL	FINISH ± -

1.8V (DDR2)	17.55	2.4	2.7	200	1981287-4
POWER SUPPLY (TYPE)	D5	D4	D3	POS	PART NO.
DWN LEO ZHOU 07MAR07	TE Connectivity DDR SODIMM SOCKET 0.6mm PITCH 200POS 9.2H RVS TYPE TO FIT AMC APPLICATIONS				
CHK T.FUMIKURA 07MAR07					
APVD K.IKEGAMI 07MAR07					
PRODUCT SPEC 108-5701					
APPLICATION SPEC	SIZE	CAGE CODE	DRAWING NO	RESTRICTED TO	
WEIGHT 8.3g	A3	00779	C-1981287	-	
CUSTOMER DRAWING	SCALE 2:1	SHEET 1 OF 4	REV C		

THIS DRAWING IS UNPUBLISHED. RELEASED FOR PUBLICATION MAR ,2007.  
 © COPYRIGHT 2007 By - ALL RIGHTS RESERVED.

P	LTR	DESCRIPTION	DATE	DWN	APVD
		SEE SHEET 1	-	-	-

### REFERENCE P.C. BOARD PATTERN LAYOUT (CONNECTOR MOUNTING SIDE)

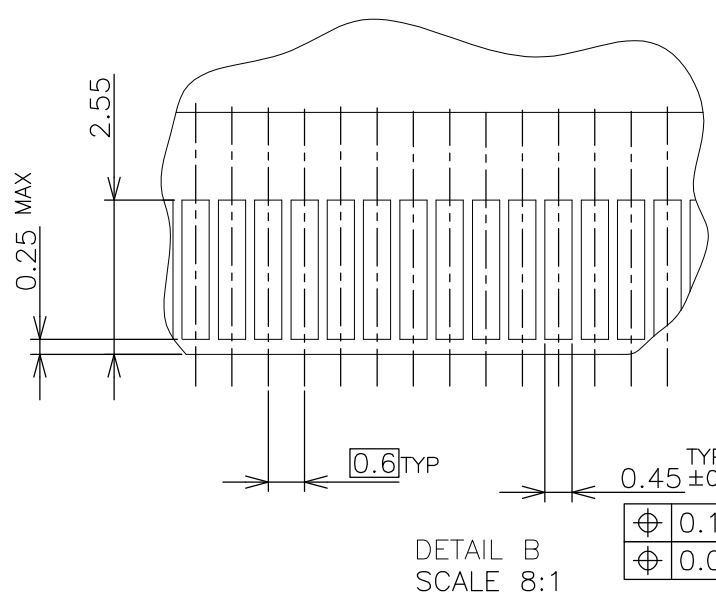
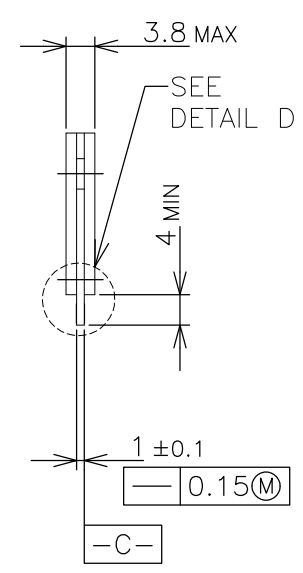
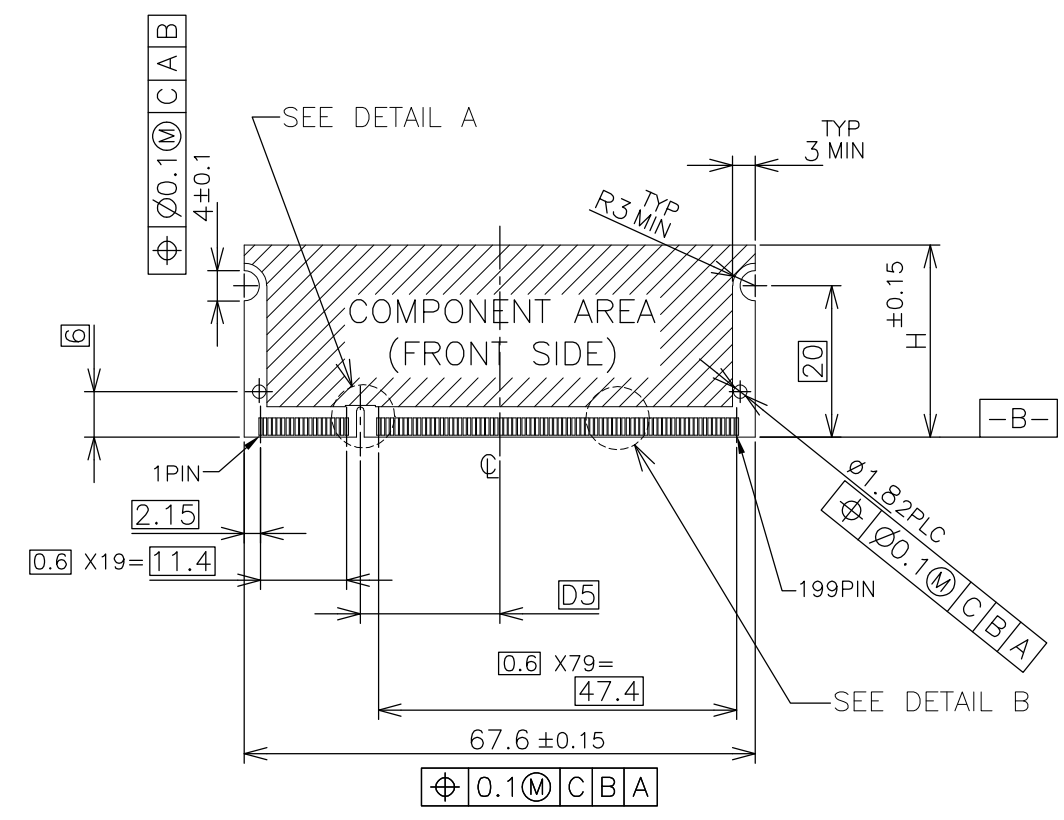


1.8V	17.55	2.4	2.7
POWER SUPPLY	D5	D4	D3

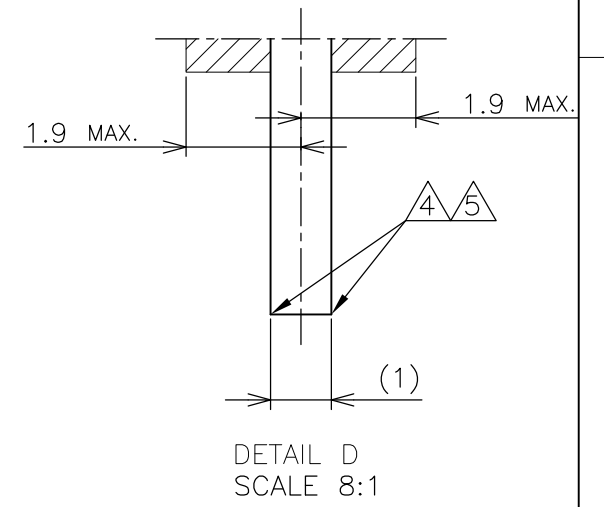
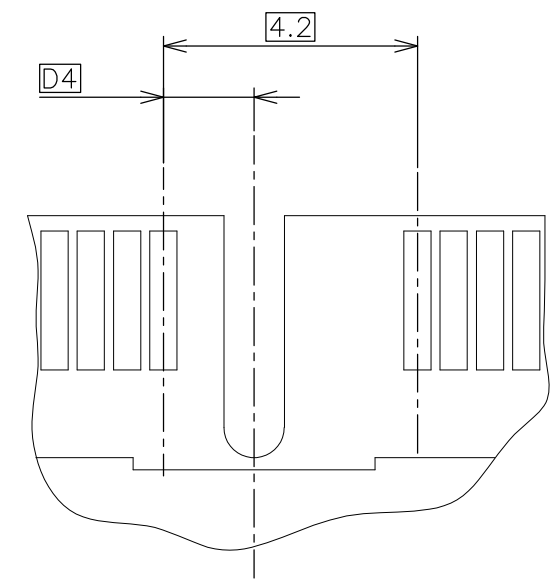
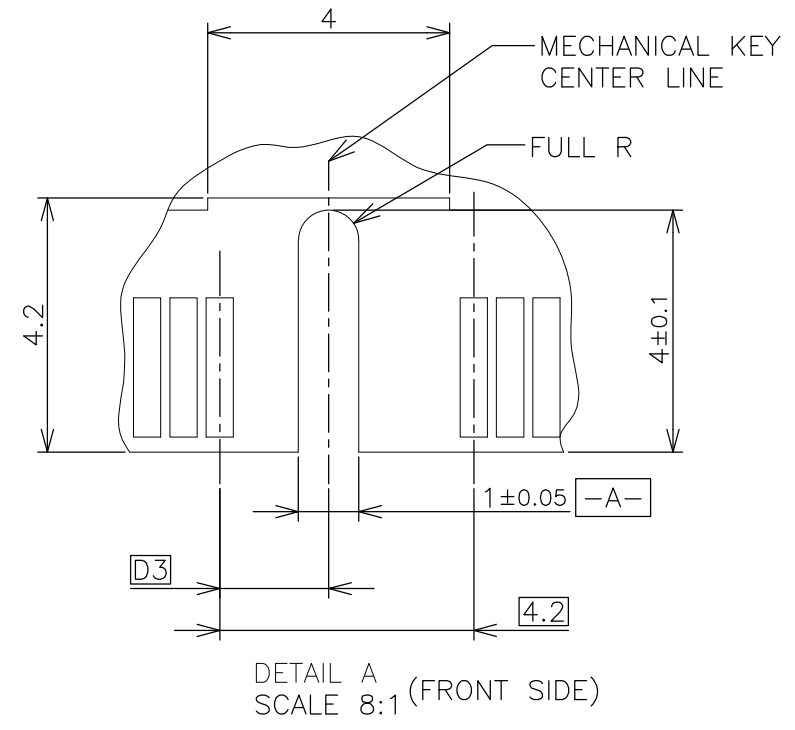
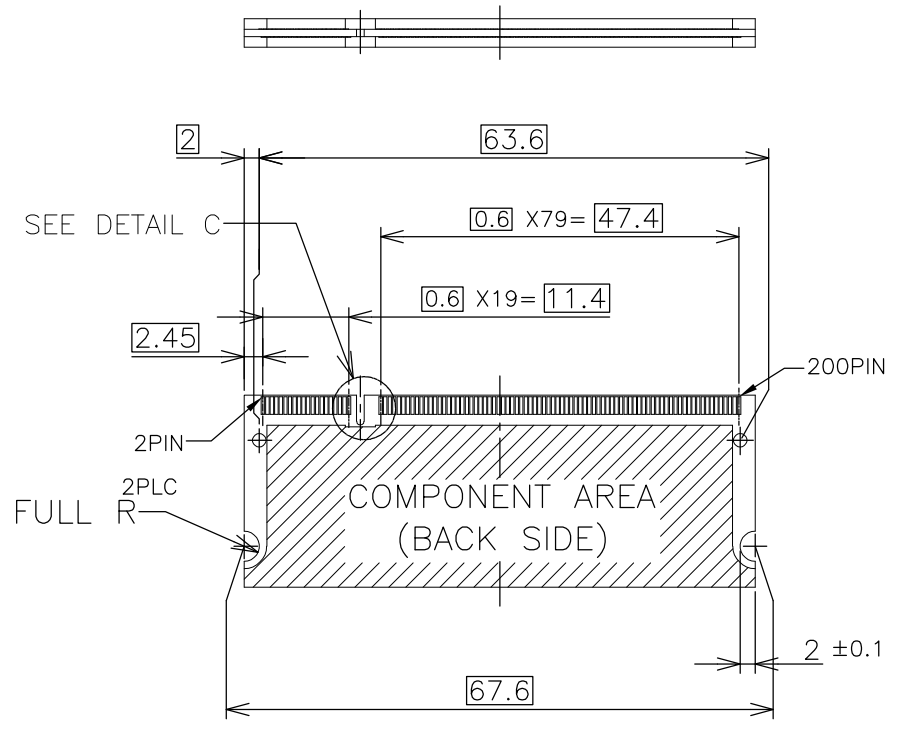
THIS DRAWING IS A CONTROLLED DOCUMENT.		DWN	<b>STE</b> TE Connectivity	
DIMENSIONS: MM		CHK		
TOLERANCES UNLESS OTHERWISE SPECIFIED:		APVD	NAME	
0 PLC ±		PRODUCT SPEC	DDR SODIMM SOCKET 0.6mm PITCH 200POS	
1 PLC ±		APPLICATION SPEC	9.2H RVS TYPE	
2 PLC ±		WEIGHT	TO FIT AMC APPLICATIONS	
3 PLC ±		CUSTOMER DRAWING	SIZE	CAGE CODE
4 PLC ±			A3	00779
ANGLES ±			DRAWING NO	RESTRICTED TO
FINISH ±			C-1981287	
		SCALE	SHEET	REV
		2:1	2 OF 4	C

THIS DRAWING IS UNPUBLISHED. RELEASED FOR PUBLICATION MAR ,2007.  
 © COPYRIGHT 2007 By - ALL RIGHTS RESERVED.

P		LTR		DESCRIPTION	DATE	DWN	APVD
				SEE SHEET 1	-	-	-



- (APPLIED TO SHEET 3)
- 1 TOLERANCES ON ALL DIMENSIONS ±0.15 UNLESS OTHERWISE SPECIFIED.
  - 2 P.C. BOARD THICKNESS APPLIES ACROSS TABS AND INCLUDES PLATING AND/OR METALIZATION.
  - 3 FINISH OF PAD : GOLD PLATING 0.00076 MIN. OVER Ni PLATING 0.002MIN.
- △ NO BURR.  
 △ CHAMFER 0.25 MAX x 45° IF EXIST.



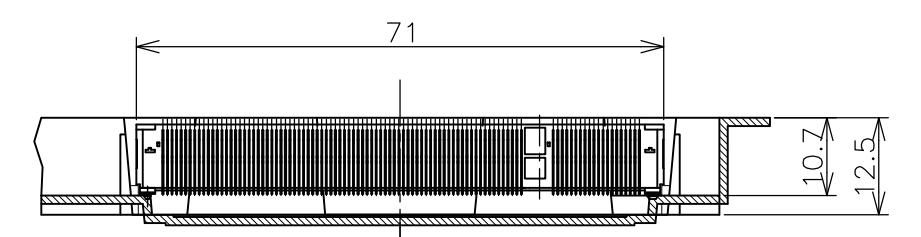
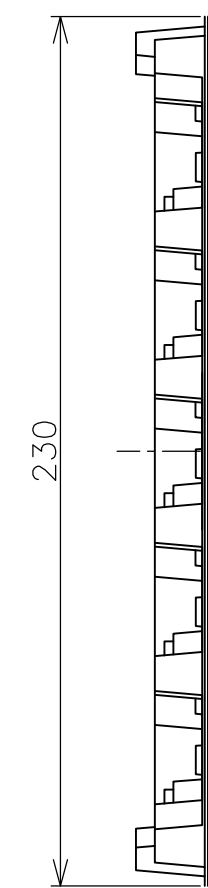
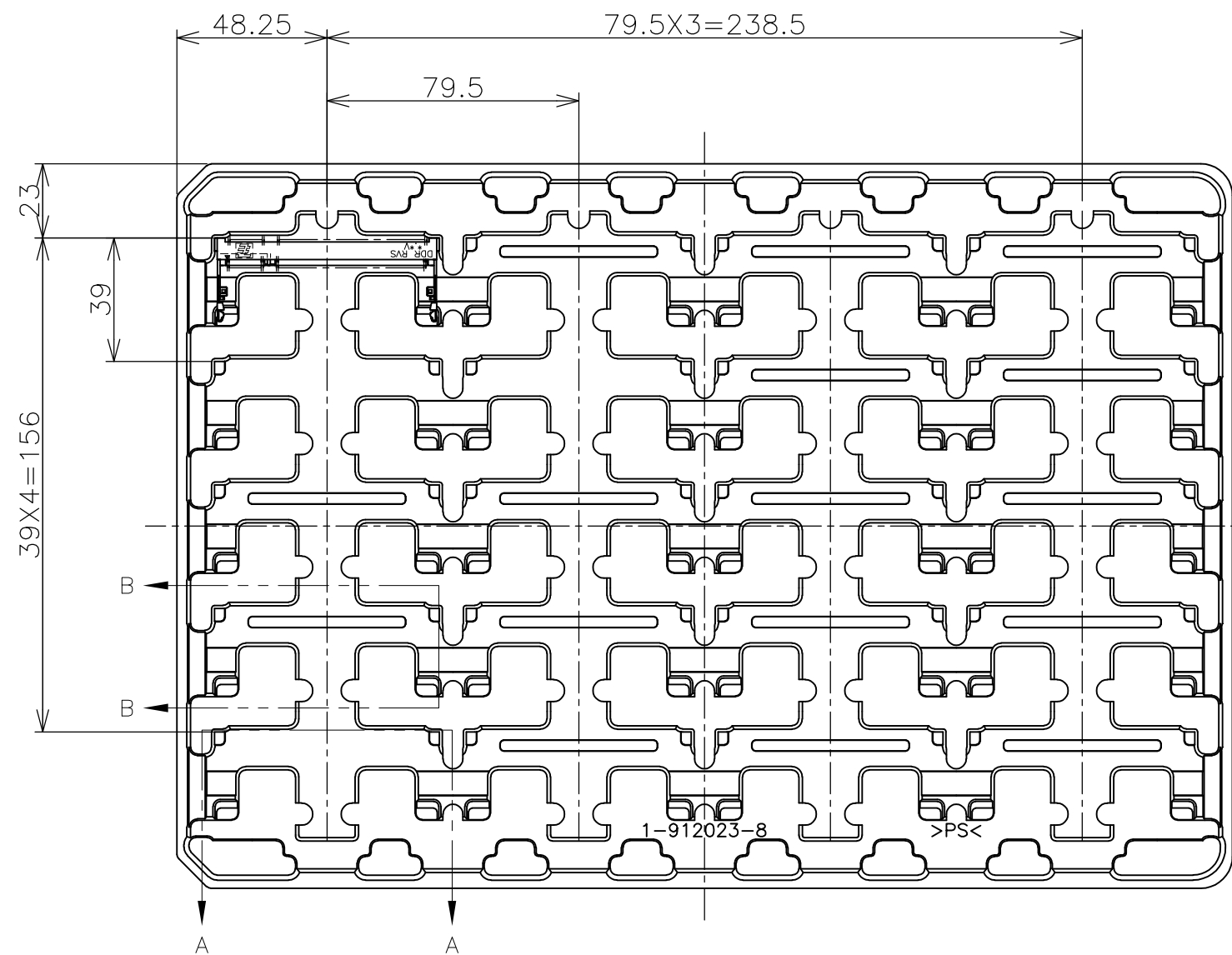
RECOMMENDED MATING P.C.B CONFIGURATION

31.75	1.8V	17.55	2.4	2.7
25.4	POWER SUPPLY	D5	D4	D3
H				

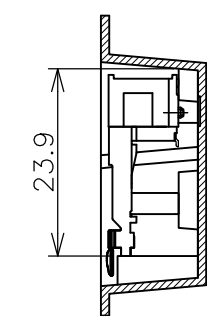
THIS DRAWING IS A CONTROLLED DOCUMENT.		DWN		TE Connectivity	
DIMENSIONS: MM		CHK			
TOLERANCES UNLESS OTHERWISE SPECIFIED:		APVD			
0 PLC ± 1 PLC ± 2 PLC ± 3 PLC ± 4 PLC ± ANGLES ± FINISH ±		NAME			
MATERIAL		PRODUCT SPEC		DDR SODIMM SOCKET 0.6mm PITCH 200POS	
		APPLICATION SPEC		9.2H RVS TYPE	
		WEIGHT		TO FIT AMC APPLICATIONS	
		CUSTOMER DRAWING		SIZE	RESTRICTED TO
		SCALE 1:1		CAGE CODE	
		SHEET 3 OF 4		DRAWING NO	
		REV C		A300779	
				G-1981287	

THIS DRAWING IS UNPUBLISHED. RELEASED FOR PUBLICATION MAR , 2007.  
 © COPYRIGHT 2007 By - ALL RIGHTS RESERVED.

REVISIONS					
P	LTR	DESCRIPTION	DATE	DWN	APVD
		SEE SHEET 1	-	-	-

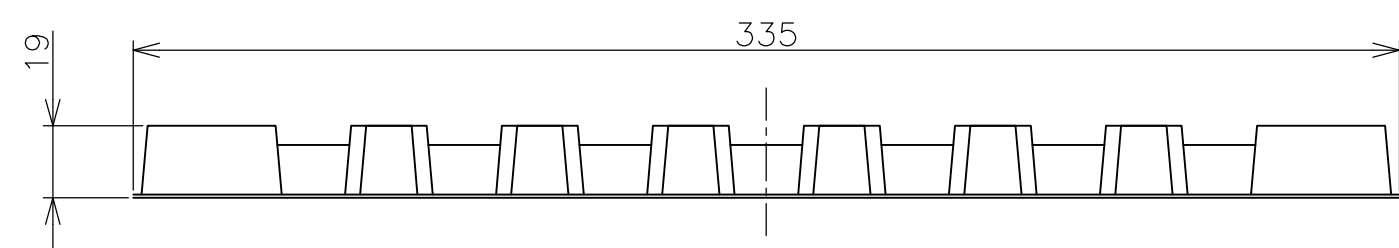


A+A  
SCALE 1:1  
(180DEG. ROTATE)



B-B  
SCALE 1:1

- (APPLIED TO SHEET 4)
1. THE DIRECTION OF EACH CONNECTOR ON A TRAY IS REFERRED TO THIS DRAWING.
  2. GENERAL TOLERANCE: ±0.5



20EA/TRAY	1981287-4
QTY	P/N

THIS DRAWING IS A CONTROLLED DOCUMENT.		DWN	TE Connectivity NAME DDR SODIMM SOCKET 0.6mm PITCH 200POS 9.2H RVS TYPE TO FIT AMC APPLICATIONS				
DIMENSIONS: MM		CHK					
TOLERANCES UNLESS OTHERWISE SPECIFIED:		APVD					
0 PLC ± 0.5 1 PLC ± 0.5 2 PLC ± 0.5 3 PLC ± 0.5 4 PLC ± 0.5 ANGLES ± 3°		PRODUCT SPEC					
MATERIAL		FINISH	APPLICATION SPEC	SIZE	CAGE CODE	DRAWING NO	RESTRICTED TO
CUSTOMER DRAWING			WEIGHT	A3	00779	C-1981287	
			SCALE	1:2	SHEET	4 OF 4	REV C