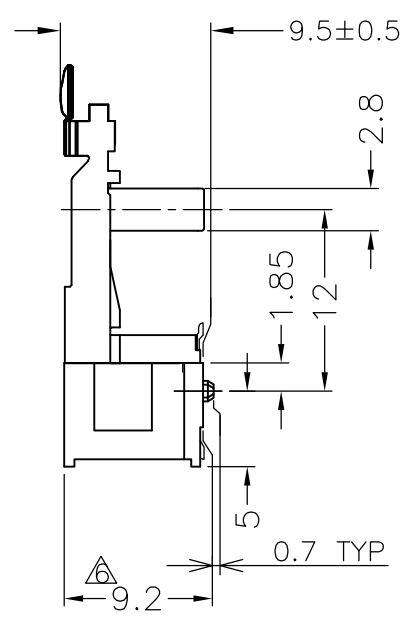
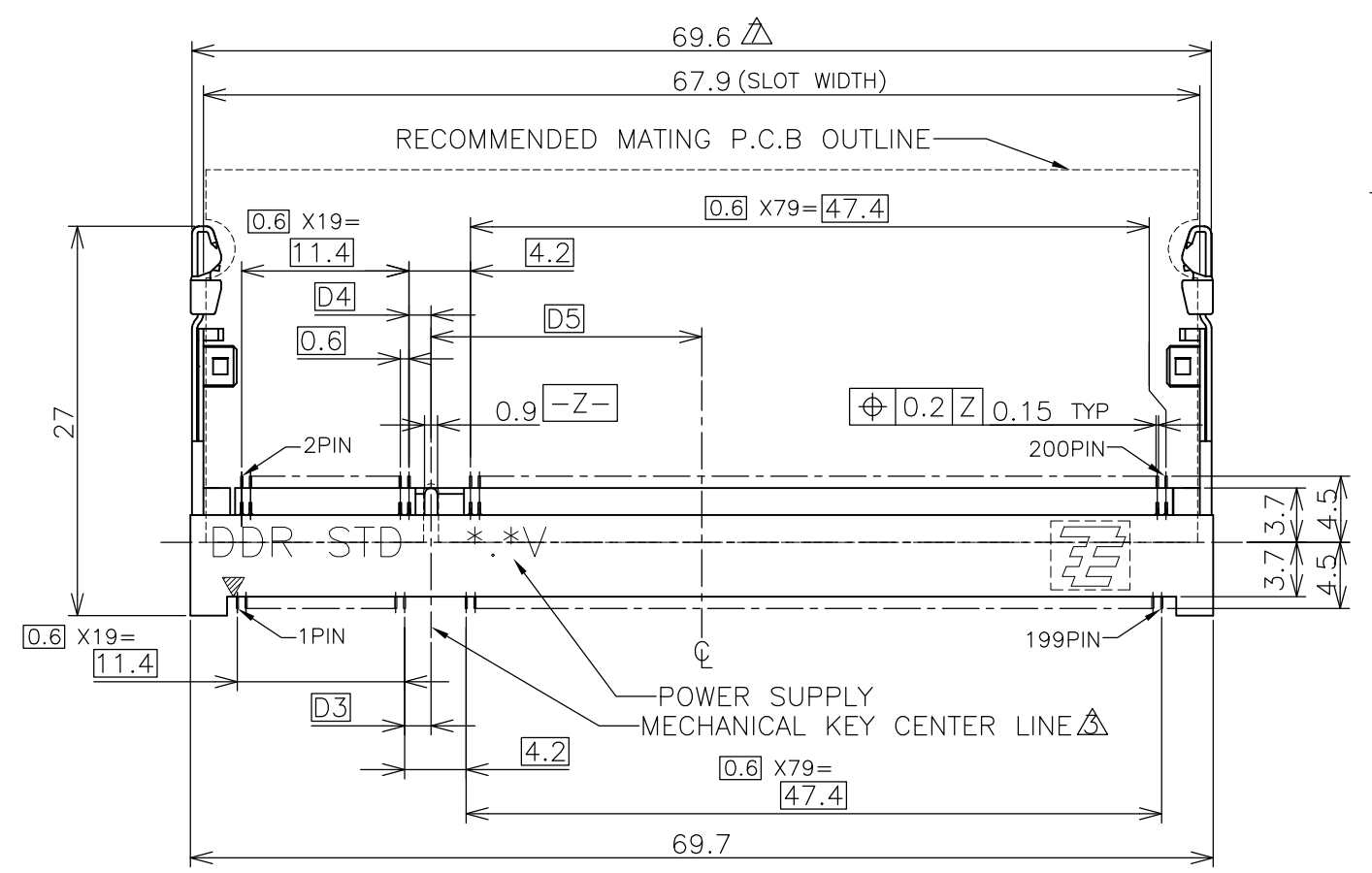
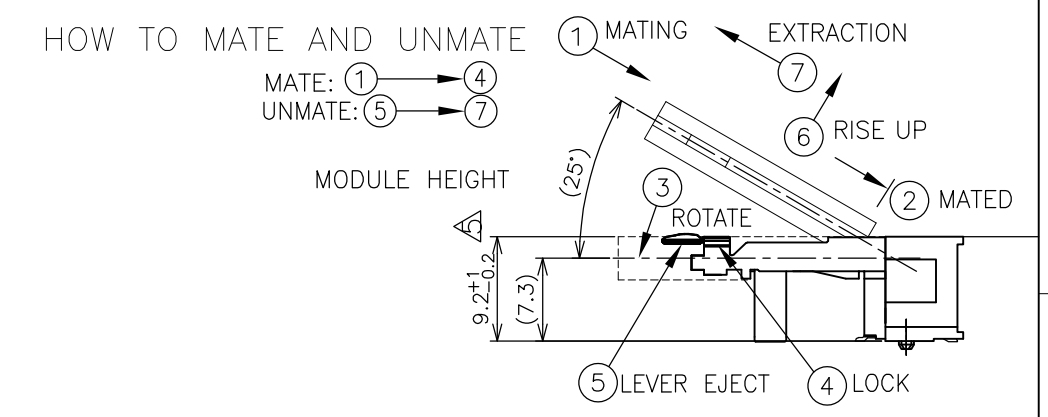
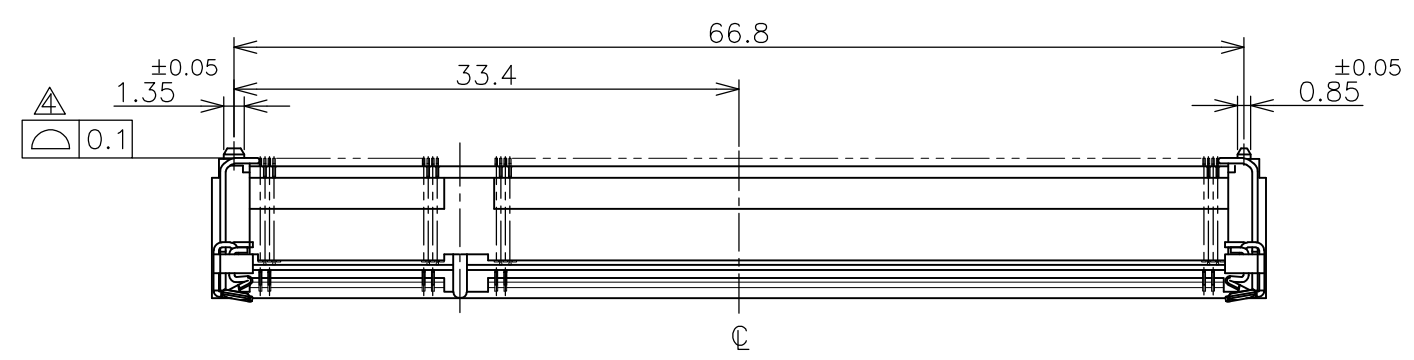


THIS DRAWING IS UNPUBLISHED. RELEASED FOR PUBLICATION MAR ,2007.
 © COPYRIGHT 2007 By - ALL RIGHTS RESERVED.

REVISIONS					
P	LTR	DESCRIPTION	DATE	DWN	APVD
	C	REVISED PER ECR-17-002461	24FEB17	D.Z	S.L



- (APPLIED TO SHEET 1-2)
- MATERIAL ; HOUSING: HIGH TEMPERATURE THERMO PLASTIC UL94V-0
CONTACT: COPPER ARROY
LOCK LEVER: STAINLESS STEEL
 - FINISH ; CONTACT AREA: GOLD PLATING ON ALL OVER NICKEL.
SOLDERING AREA: GOLD FLASH PLT.
LOCK LEVER: TIN PLATING.
- MECHANICAL KEY POSITION OF CONNECTOR SEE TABLE.
 - COPLANARITY : 0.1 MAX.
 - THE FLOATING VALUE BY SOLDERING IS NOT INCLUDED.
 - NOT MATING CONDITION.
 - IN CASE OF MODULE BOARD LOCK AND EJECT, LATCH MAXIMUM WIDTH: 75mm.
 - TOLERANCES NON-CUMULATIVE.
 - CARD GUIDE AND STRUT COMPONENT KEEP-OUT ZONE.
 - INSIDE MUST BE RESIST COAT EXCEPT SOLDER PATTERN.

GENERAL TOLERANCE
 10 ≥ : ±0.2
 30 ≥ > 10: ±0.3
 100 ≥ > 30: ±0.5
 ANGLES: ±3'

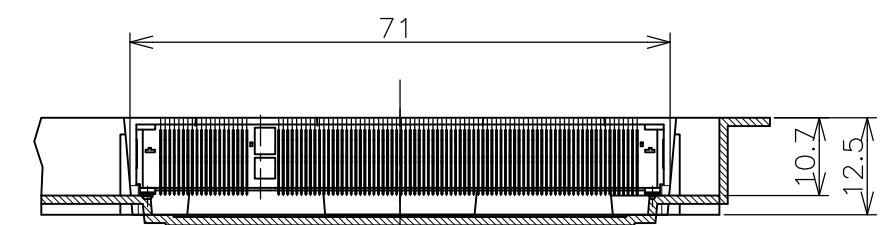
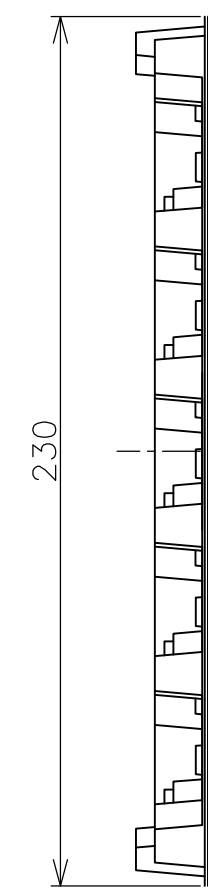
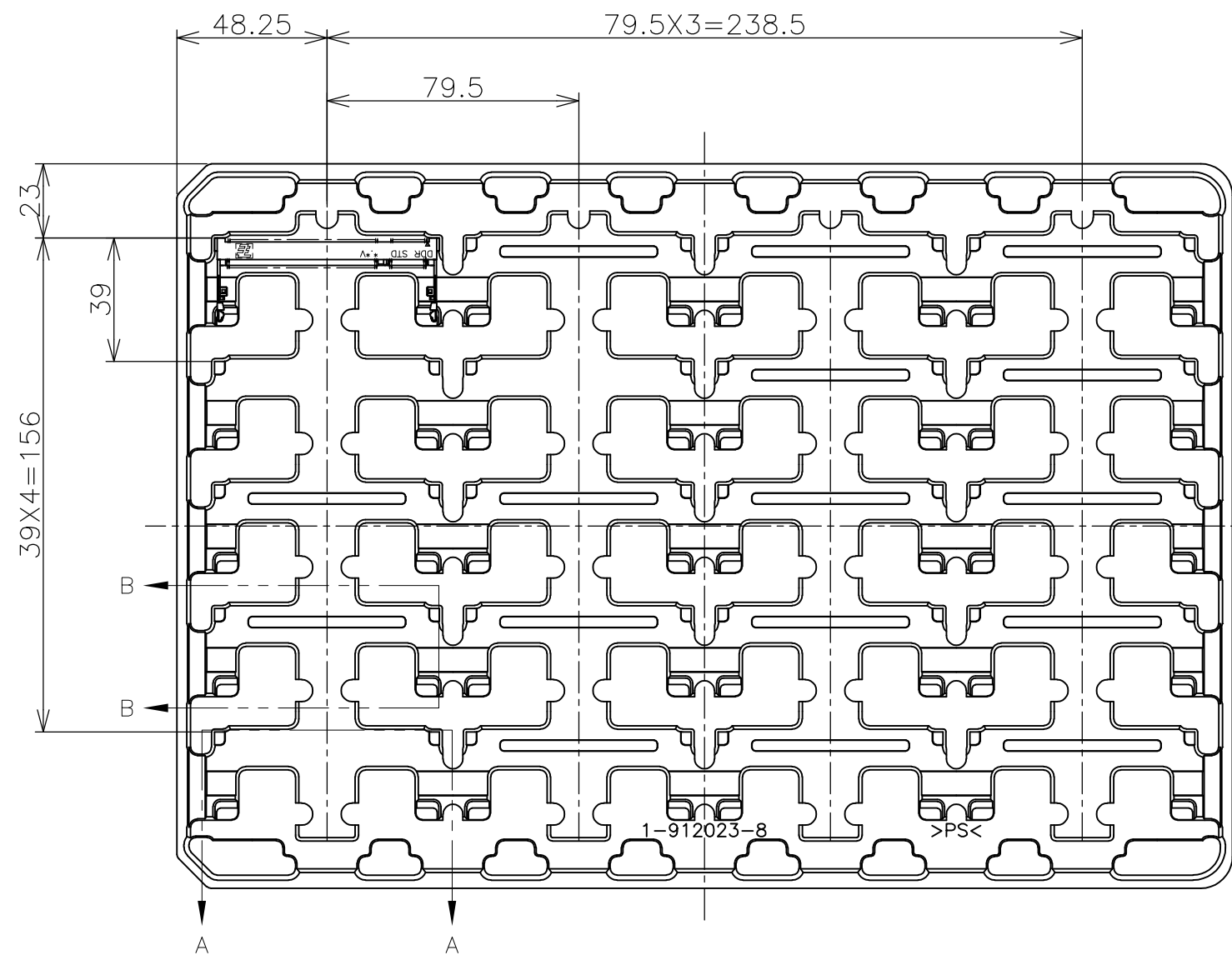
THIS DRAWING IS A CONTROLLED DOCUMENT.

DIMENSIONS: MM	TOLERANCES UNLESS OTHERWISE SPECIFIED: 0 PLC ± - 1 PLC ± - 2 PLC ± - 3 PLC ± - 4 PLC ± - ANGLES ± - FINISH
MATERIAL	

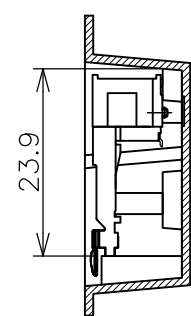
1.8V (DDR2)	17.55	2.4	2.7	200	1981284-4
POWER SUPPLY (TYPE)	D5	D4	D3	POS	PART NO.
DWN LEO ZHOU 07MAR07	TE Connectivity DDR SODIMM SOCKET 0.6mm PITCH 200POS 9.2H STD TYPE TO FIT AMC APPLICATIONS				
CHK T.FUMIKURA 07MAR07					
APVD K.IKEGAMI 07MAR07					
NAME					
PRODUCT SPEC 108-5701	SIZE	CAGE CODE	DRAWING NO	RESTRICTED TO	
APPLICATION SPEC	8.3g	A300779	C-1981284		
CUSTOMER DRAWING	SCALE	SHEET	REV		
	2:1	1 OF 4	C		

THIS DRAWING IS UNPUBLISHED. RELEASED FOR PUBLICATION MAR , 2007.
 © COPYRIGHT 2007 By - ALL RIGHTS RESERVED.

REVISIONS					
P	LTR	DESCRIPTION	DATE	DWN	APVD
		SEE SHEET 1	-	-	-

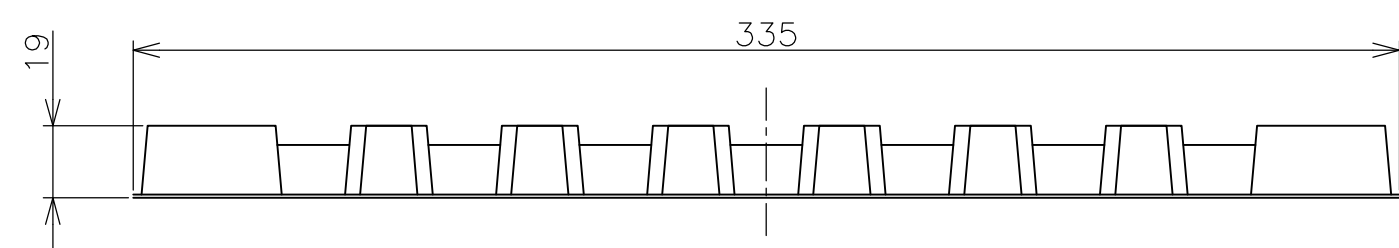


A-A
SCALE 1:1
(180DEG. ROTATE)



B-B
SCALE 1:1

- (APPLIED TO SHEET 4)
1. THE DIRECTION OF EACH CONNECTOR ON A TRAY IS REFERRED TO THIS DRAWING.
 2. GENERAL TOLERANCE: ±0.5



20EA/TRAY	1981284-4
QTY	P/N

THIS DRAWING IS A CONTROLLED DOCUMENT.		DWN	TE Connectivity NAME DDR SODIMM SOCKET 0.6mm PITCH 200POS 9.2H STD TYPE TO FIT AMC APPLICATIONS				
DIMENSIONS: MM		CHK					
TOLERANCES UNLESS OTHERWISE SPECIFIED:		APVD					
0 PLC ± 0.5 1 PLC ± 0.5 2 PLC ± 0.5 3 PLC ± 0.5 4 PLC ± 0.5 ANGLES ± 3°		PRODUCT SPEC					
MATERIAL		FINISH	APPLICATION SPEC	SIZE	CAGE CODE	DRAWING NO	RESTRICTED TO
CUSTOMER DRAWING			WEIGHT	A3	00779	C-1981284	
			SCALE	1:2	SHEET	4 OF 4	REV C