

4

3

2

1

THIS DRAWING IS UNPUBLISHED.

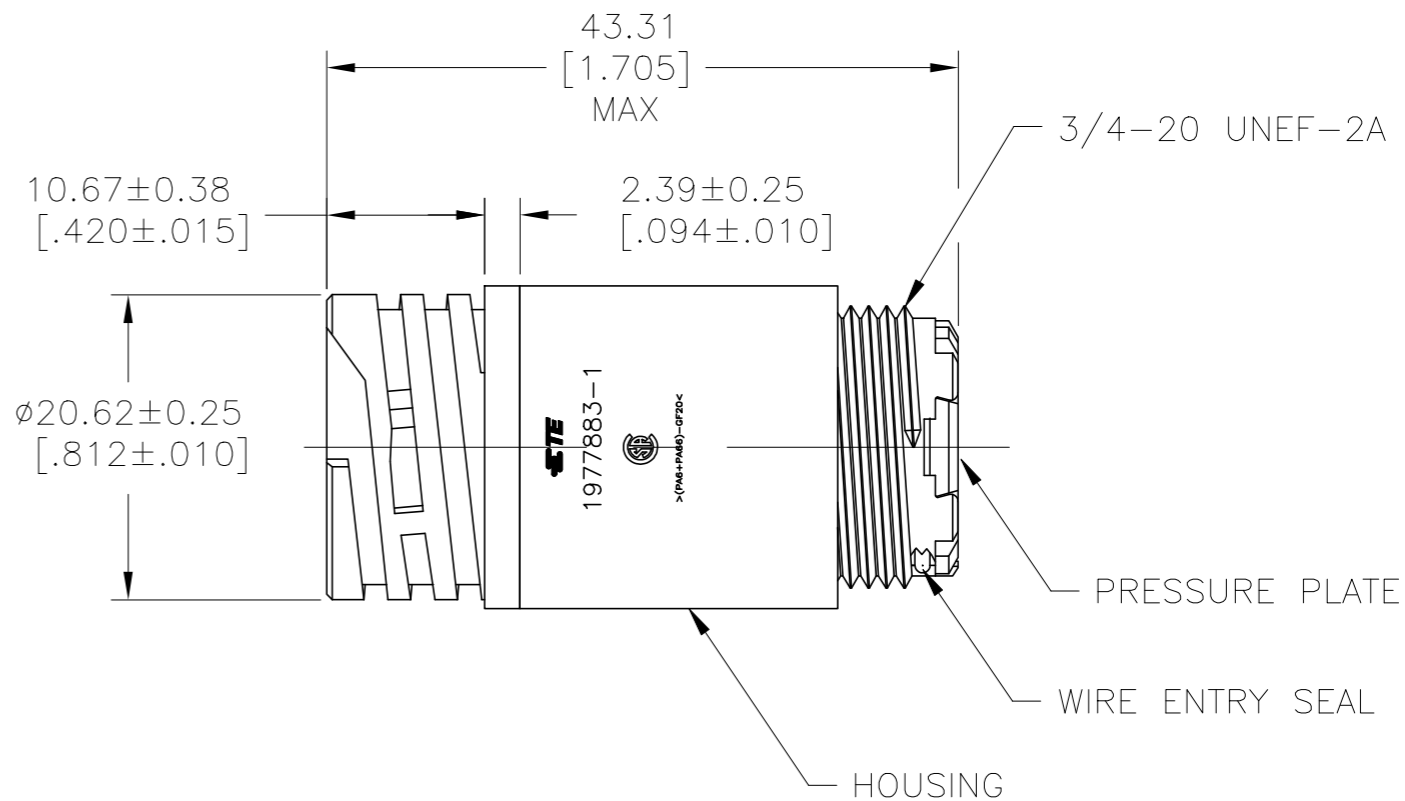
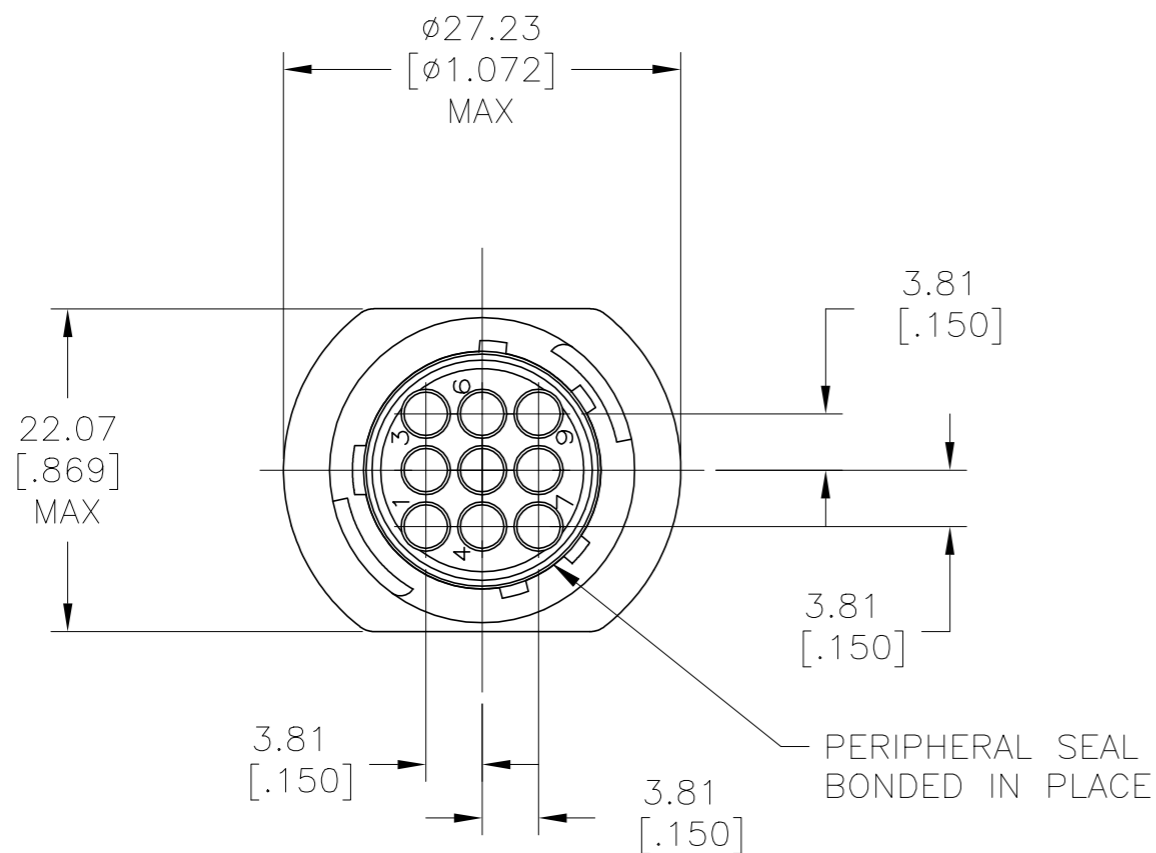
RELEASED FOR PUBLICATION

REVISIONS

© COPYRIGHT - By - ALL RIGHTS RESERVED.

P	LTR	DESCRIPTION	DATE	DWN	APVD
	A	NEW DRAWING PER ECO-12-018480	08NOV12	KH	MZ
	B	REVISED PER ECO-16-006378	03NOV2016	RS	MZ
	C	REVISED PER ECO-19-011232	06AUG2019	RS	MZ

- 1 THIS PART WILL ACCEPT NINE (9) MULTIMATE PIN CONTACTS.
- 2 HOUSING AND PRESSURE PLATE: NYLON, BLACK.
PERIPHERAL SEAL: ELASTOMER, BLACK.
WIRE ENTRY SEAL: ELASTOMER, RED-IRON OXIDE.



.065-.100	STANDARD	1977883-1
WIRE INSULATION DIAMETER RANGE	INSULATION	PART NUMBER

THIS DRAWING IS A CONTROLLED DOCUMENT.		DWN KIRAN HOLAL 08NOV12	STE TE Connectivity	
		CHK M ZITTO 08NOV12		
DIMENSIONS: mm [INCHES]	TOLERANCES UNLESS OTHERWISE SPECIFIED:	APVD M ZITTO 08NOV12	NAME	
	0 PLC ± - 1 PLC ± - 2 PLC ± 0.13 [.005] 3 PLC ± - 4 PLC ± - ANGLES ± -	PRODUCT SPEC	CPC FREE HANGING RCPT ASSY SERIES 1, SEALED, 13-9, STD SEX, UV RESISTANT	
MATERIAL	FINISH	APPLICATION SPEC	SIZE	RESTRICTED TO
	-	WEIGHT	A3 00779	-
CUSTOMER DRAWING			DRAWING NO C=1977883	SCALE
			2:1	SHEET
			1 OF 1	REV
			C	