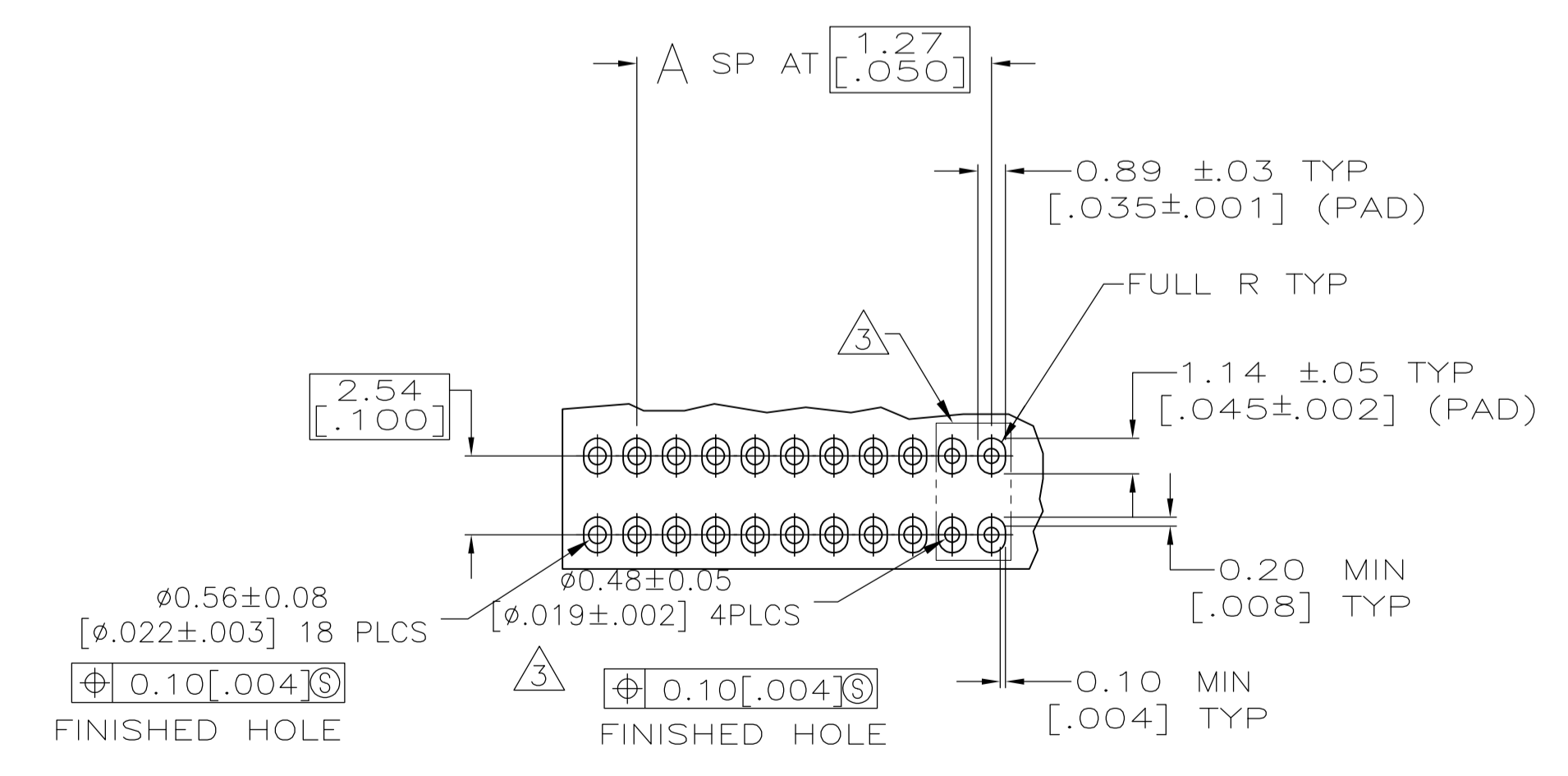
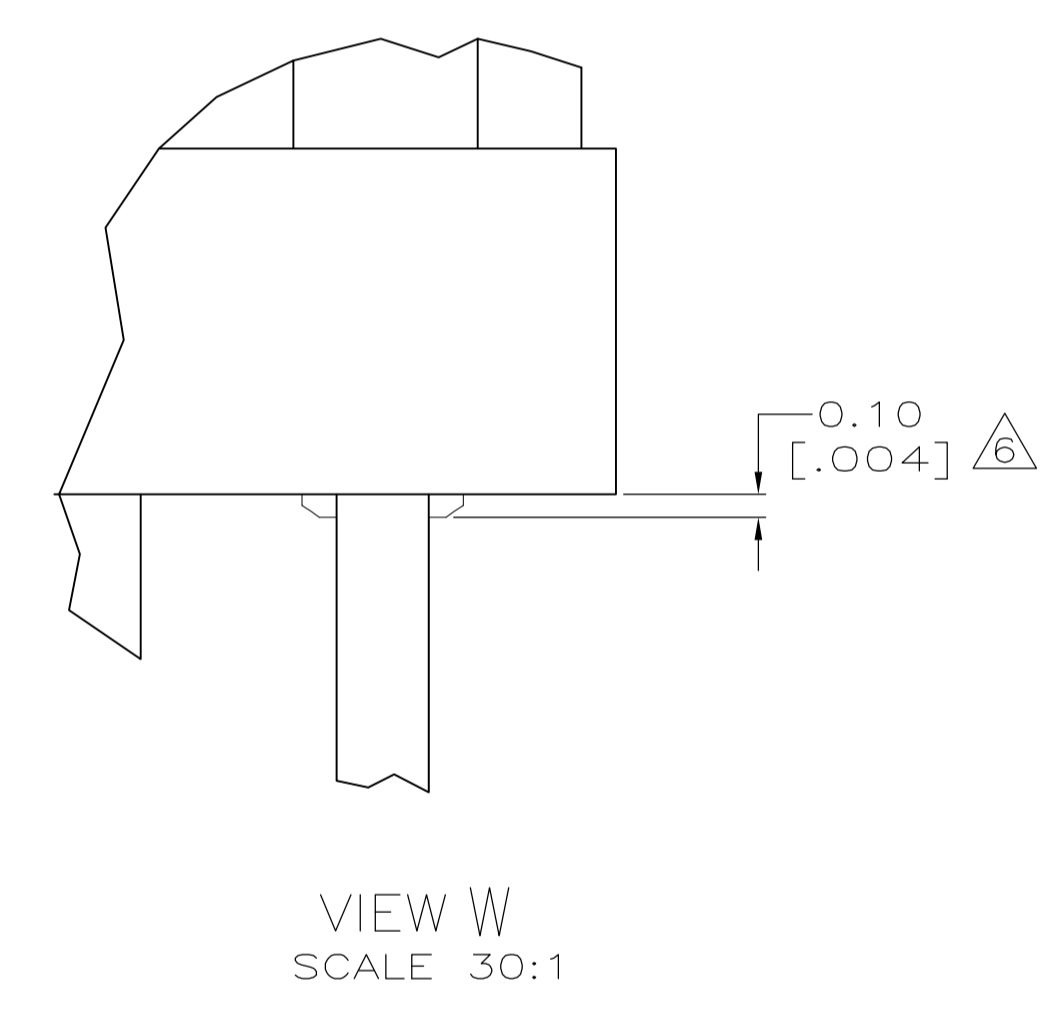
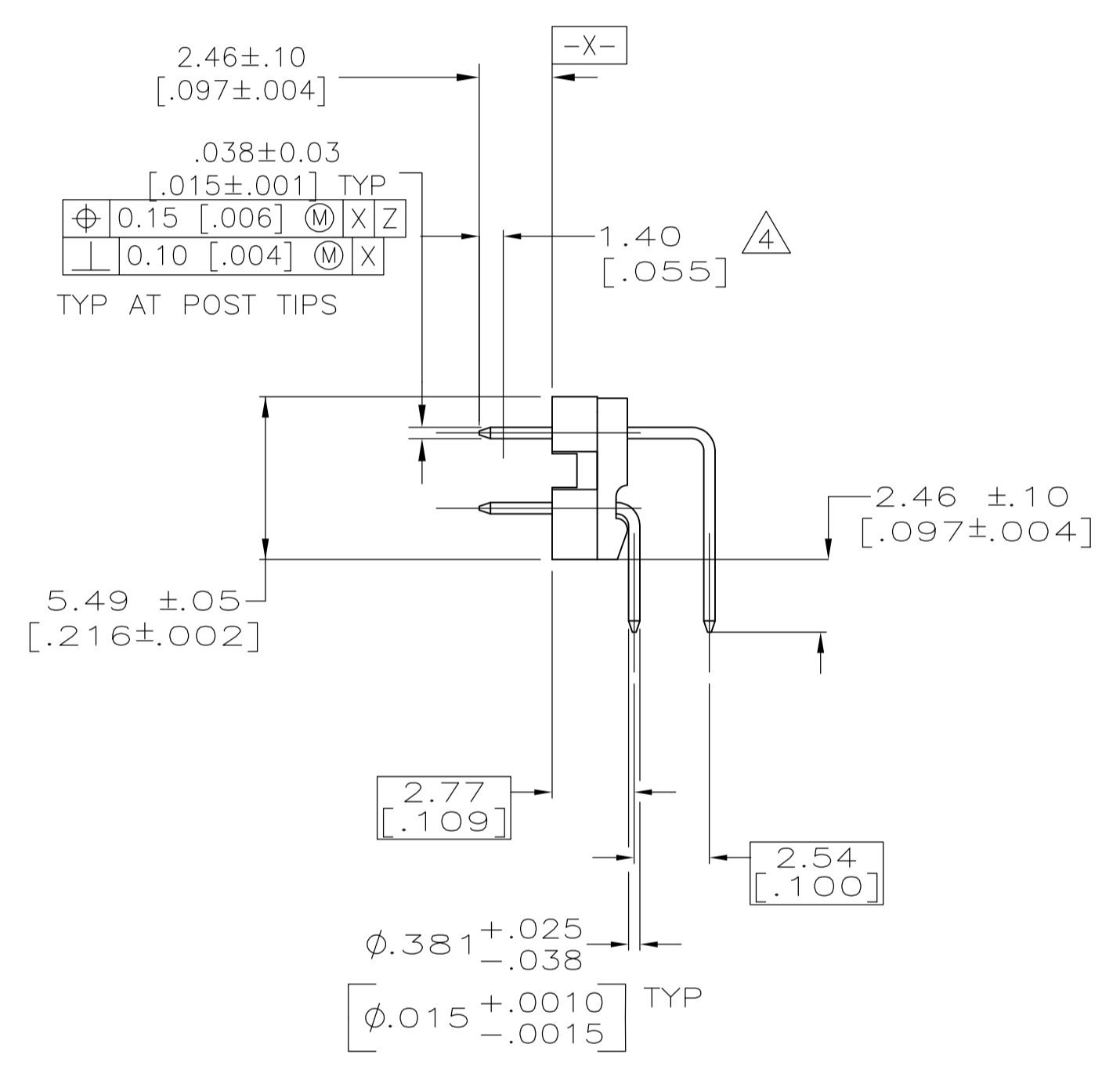
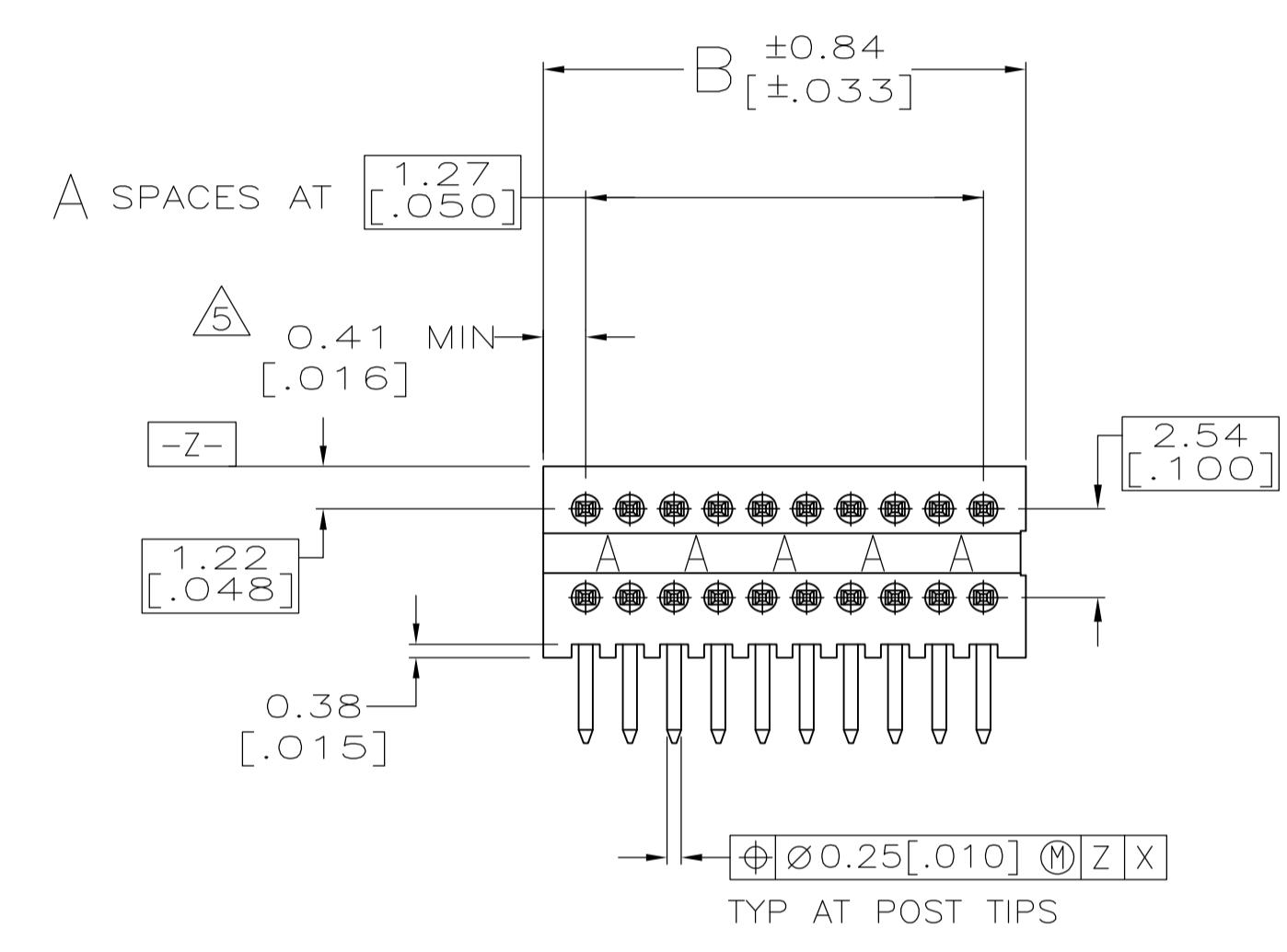
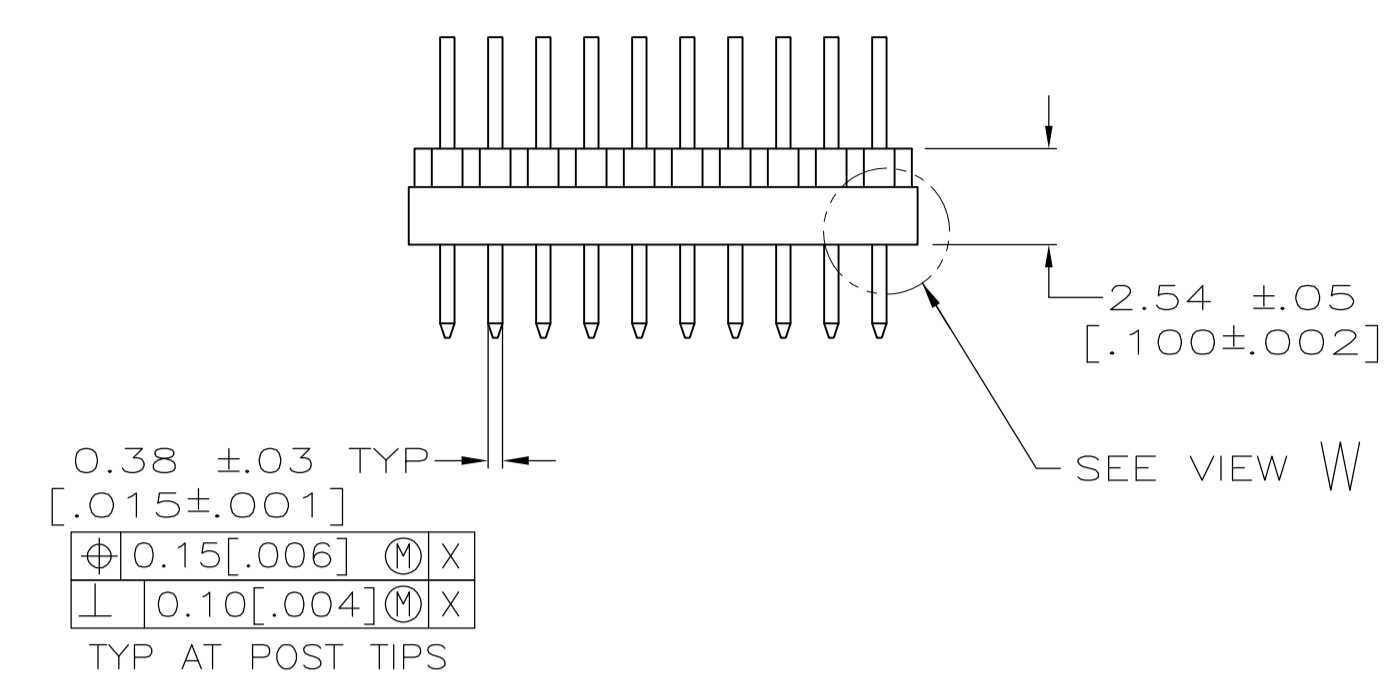


- 1 FLAME REDARTANT THERMOPLASTIC, COLOR - BLACK
- 2 COPPER ALLOY
- 3 THE FOUR (4) 0.48±0.05 [.019±.002] DIAMETER HOLES MAY BE PLACED AT EITHER END OF PATTERN TO FACILITATE ASSEMBLY. IF DESIRED, ALL HOLES CAN BE 0.56±0.08 [.022±.003].
- 4 POINT OF MEASUREMENT FOR PLATING THICKNESS
- 5 THE NOTED DIMENSION APPLIES AT THE INTERSECTION OF THE POST AND HOUSING
- 6 MAXIMUM CARRIER PROTRUSION BEYOND HOUSING.
- 7 CONTACTS PLATED WITH .00381[.000150] MIN TIN; ALL OVER .00127[.000050] MIN NICKEL
- 8 FINISH: 0.00002[.000001] MIN GOLD ON GOLD PLATED AREA. 0.00381-0.00635[.000150-.000250] MATTE TIN ON TIN PLATED AREA. UNDER PLATING: 0.00127-0.00254[.000050-.000100] NICKEL ON ENTIRE CONTACT. GOLD AND TIN PLATING MAY NOT OVERLAP



RECOMMENDED HOLE PATTERN FOR MANUAL INSERTION

8	14.35 [.565]	10	22	7-1977815-2
7	14.35 [.565]	10	22	5-1977815-2
FINISH	B	A	NO OF POSN	PART NUMBER

THIS DRAWING IS A CONTROLLED DOCUMENT.

DIMENSIONS: mm [INCHES]	TOLERANCES UNLESS OTHERWISE SPECIFIED:	DIN KATE HELM 10/30/90	CHK D. GORENC 10-31-90	APVD R. FELIX 10-31-90	NAME
0 PLC ± -	1 PLC ± -	2 PLC ± 0.13[.005]	3 PLC ± -	4 PLC ± -	ANGLES ± -
MATERIAL	HOUSING: △	CONTACT: △	FINISH: SEE TABLE	WEIGHT: -	SIZE: A1
CUSTOMER DRAWING			SCALE: 5:1	SHEET: 1 OF 1	REV: B

STE TE Connectivity

HDR ASSY, AMPMODU System 50 RT-ANGLE, UNSHROUDED, DBL-ROW

00779C=1977815