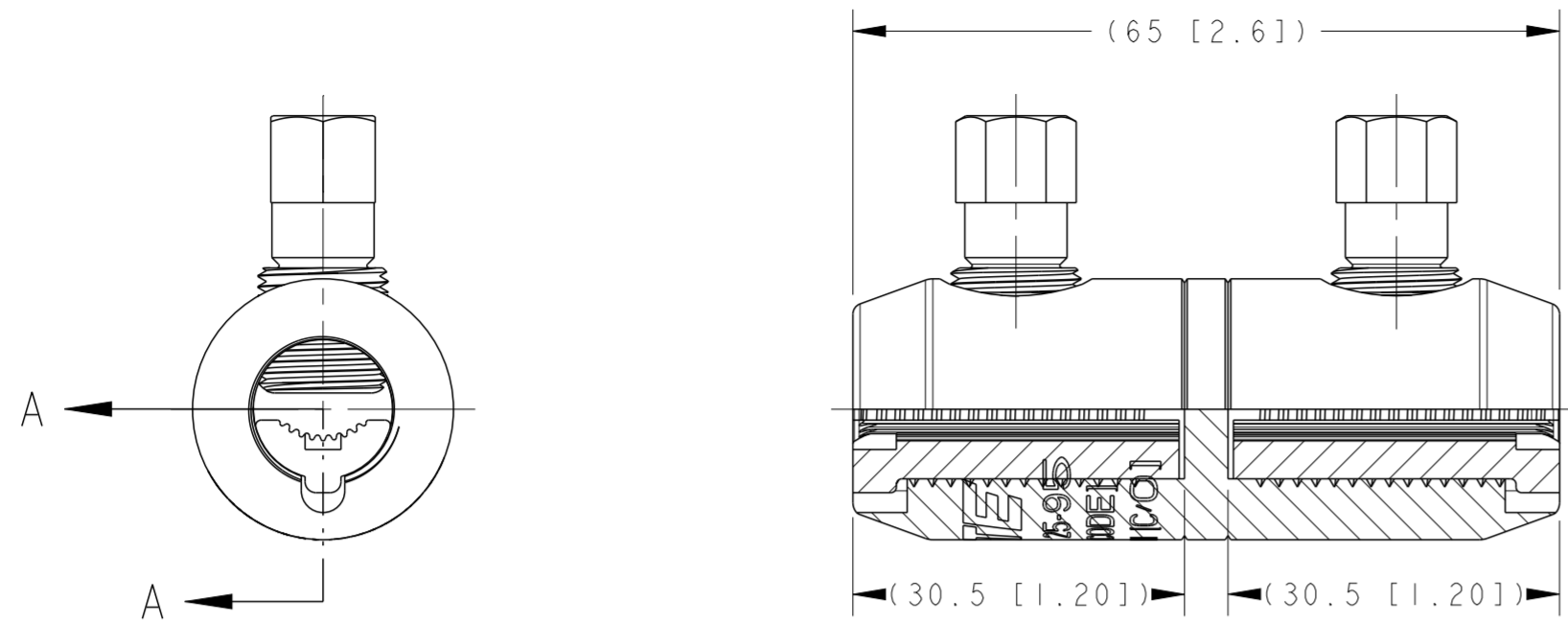
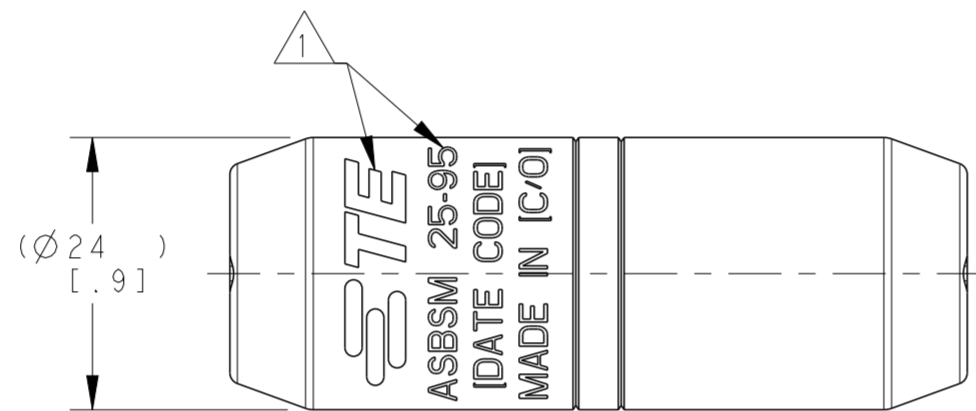


THIS DRAWING IS UNPUBLISHED. RELEASED FOR PUBLICATION 20
 © COPYRIGHT 20 BY - ALL RIGHTS RESERVED.

LOC	DIST	REVISIONS					
GA	I	P	LTR	DESCRIPTION	DATE	DWN	APVD
		A		INITIAL REL. PER LC20-0046-12	08MAY2012	DM	BJ
		B		LC20-0057-12 / ECO-12-010403	01JUN2012	DM	BJ
		BI		LC20-0064-12 / ECO-12-011470	18JUN2012	DM	BJ
		C		HEX BOLT HEAD REDUCED AS PER ECR	16OCT2020	BJ	AB



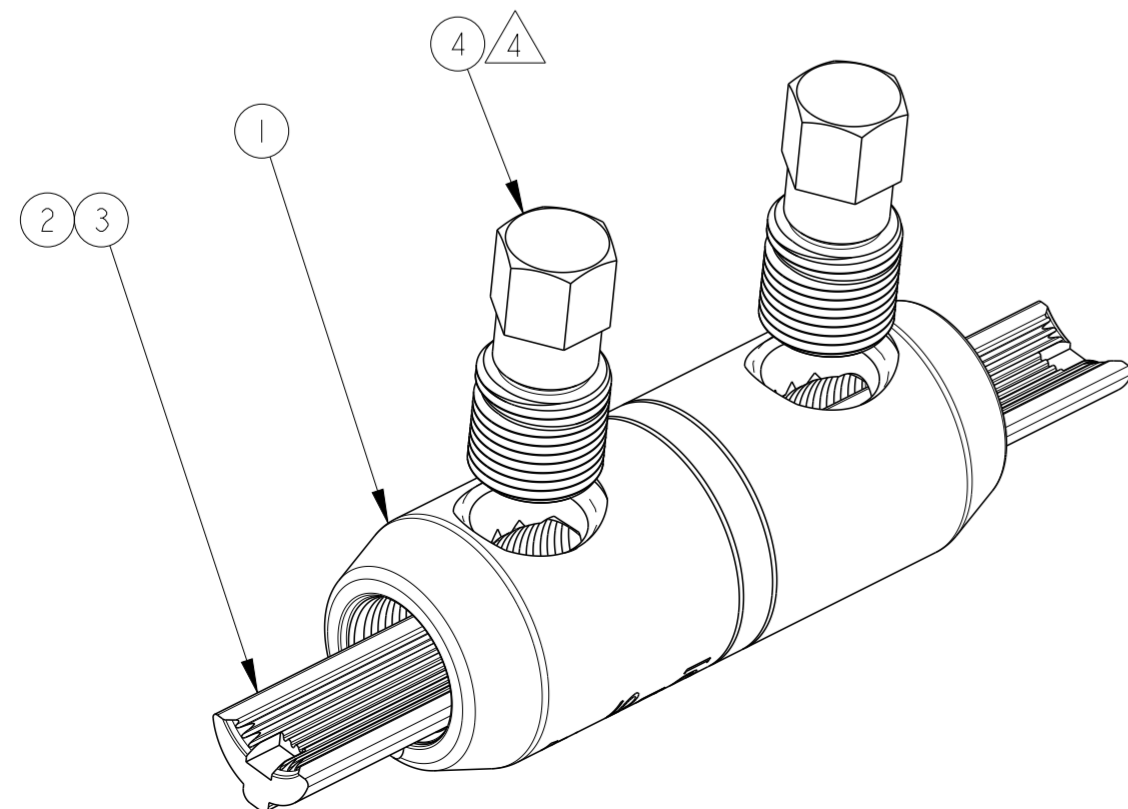
SECTION A-A



- 1 MARKING:
STE
 ASBSM 25-95
 [DATE CODE]
 MADE IN [COUNTRY OF ORIGIN]
2. ALL DIMENSIONS ARE FOR REFERENCE ONLY.
3. CONNECTOR CONTAINS FACTORY APPLIED ANTI-OXIDE INHIBITOR.
- 4 INSTALL BOLTS WITH 10 mm [3/8 inc] HEX SOCKET.

CONDUCTOR ACCOMMODATION		AL			CU		
		ROUND STRANDED	ROUND SOLID	SECTOR STRANDED	ROUND SOLID	ROUND STRANDED	SECTOR STRANDED
CONDUCTOR CROSS-SECTION	sqr mm	25-95	16-95	25-70 (95 W/ ROUNDING)	10-50	10-95	25-70 (95 W/ ROUNDING)
CONDUCTOR DIAMETER	mm	Ø5.6-Ø12.5	Ø4.1-Ø11.0	-	Ø3.6-Ø8.0	Ø3.6-Ø12.5	-

ASBSM 25-95	1974164-1
CATALOG NO.	PART NO.



QTY	DESCRIPTION	ITEM NO
1	INSTALLATION INSTRUCTION SHEET, 408-32055	6
1	ABRASIVE TAPE	5
2	MULTI SHEAR HEAD BOLT, M12, ALUMINUM ALLOY	4
10-15	INHIBITOR	3
2	INSERT, ALUMINUM ALLOY, ELECTRO-TIN PLATED	2
1	CONNECTOR SLEEVE BODY, ALUMINUM ALLOY, ELECTRO-TIN PLATED	1
-1	DESCRIPTION	ITEM NO
PARTS LIST		

THIS DRAWING IS A CONTROLLED DOCUMENT.

DWN: D. MURUGLAH 08MAY2012
 CHK: A. BULZA 11MAY2012
 APVD: B. JOHNSON 11MAY2012

STE TE Connectivity

NAME: SHEARBOLT SLEEVE CONNECTOR, ALUMINUM, SOLID OIL STOP, 25-95 SQR MM

DIMENSIONS: mm [INCH]

TOLERANCES UNLESS OTHERWISE SPECIFIED:
 0 PLC ±
 1 PLC ±0.1
 2 PLC ±0.02
 3 PLC ±0.005
 4 PLC ±0.0005
 ANGLES ±
 FINISH ±

MATERIAL: SEE BOM

WEIGHT: -

SCALE: NTS

SHEET 1 OF 1

REV C