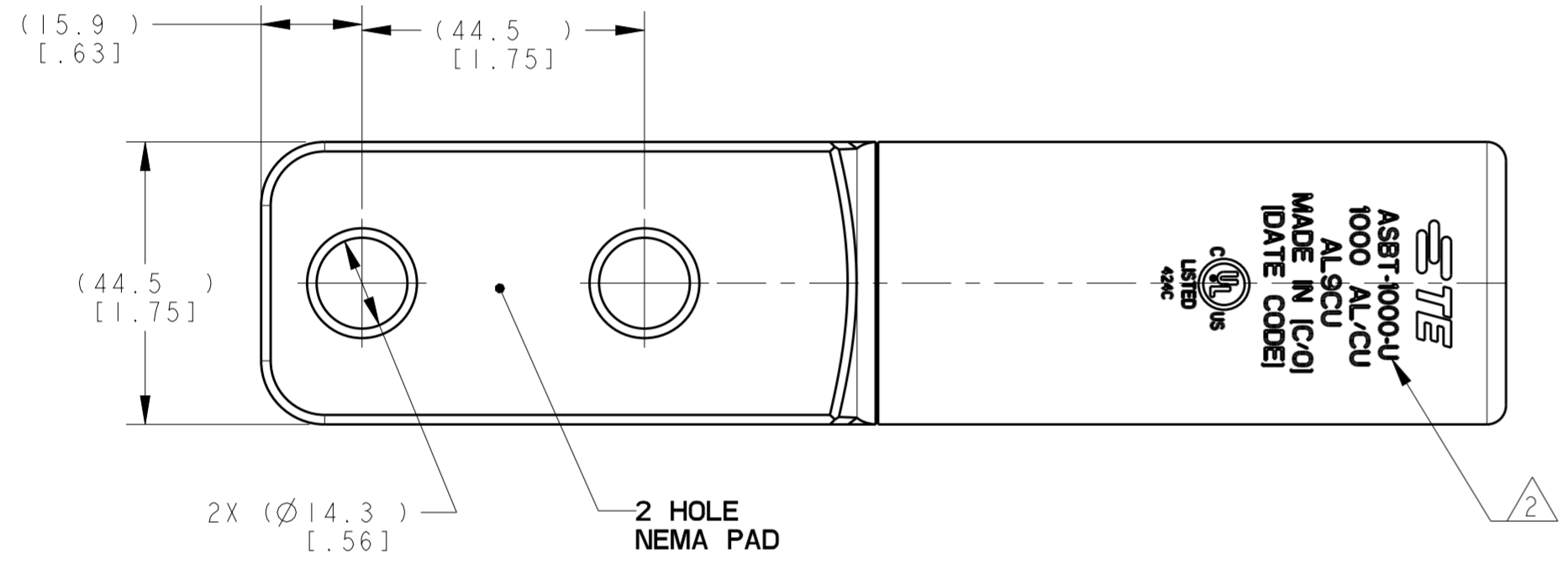
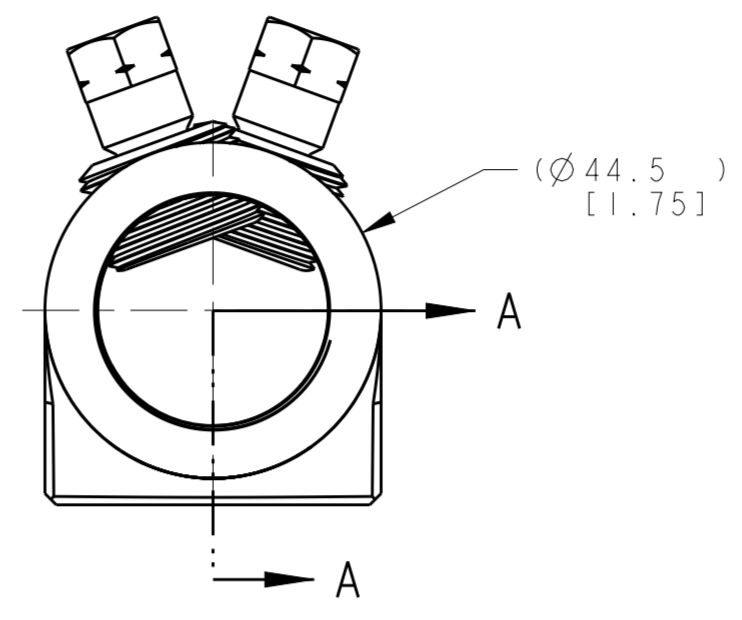
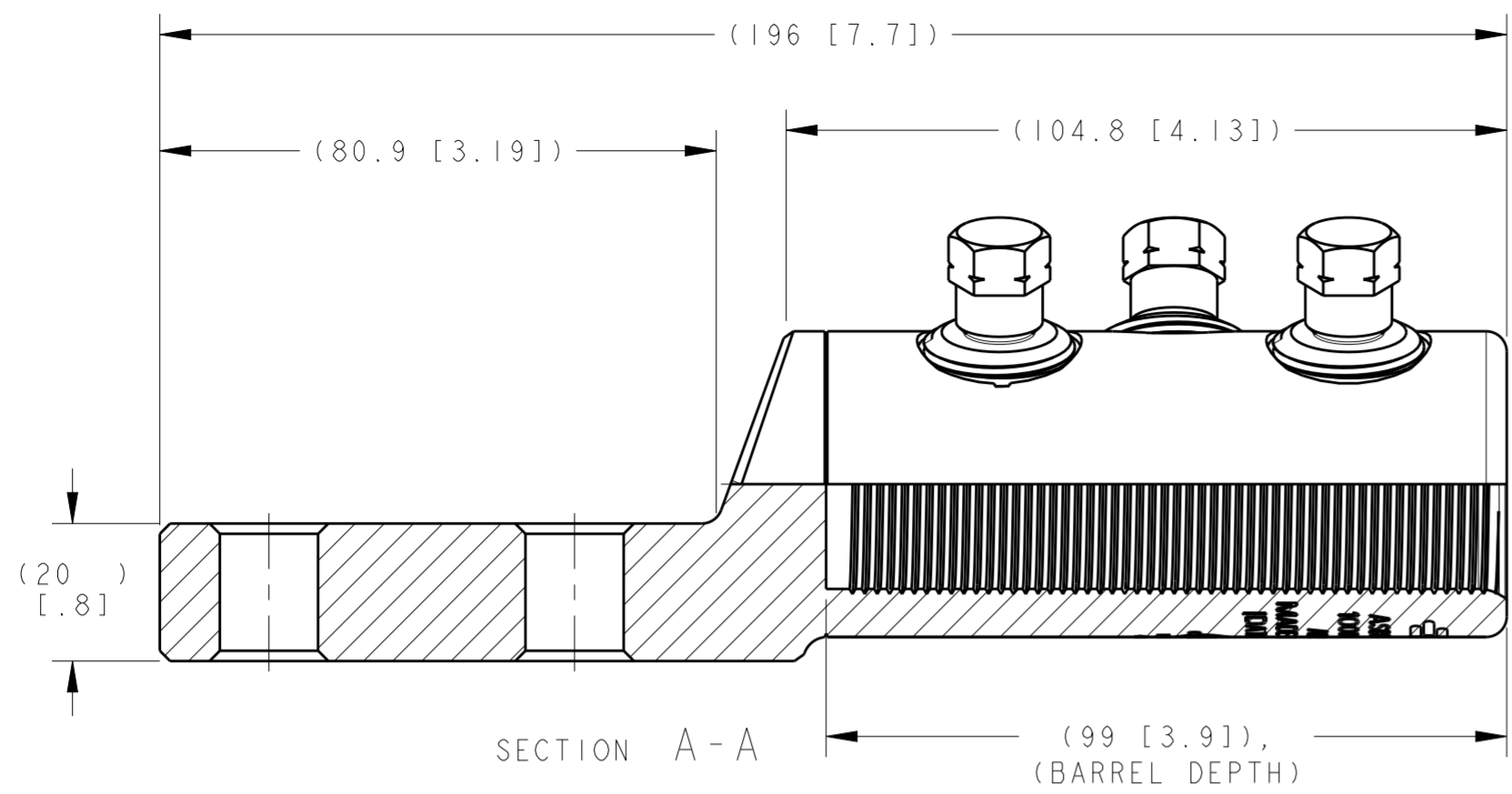


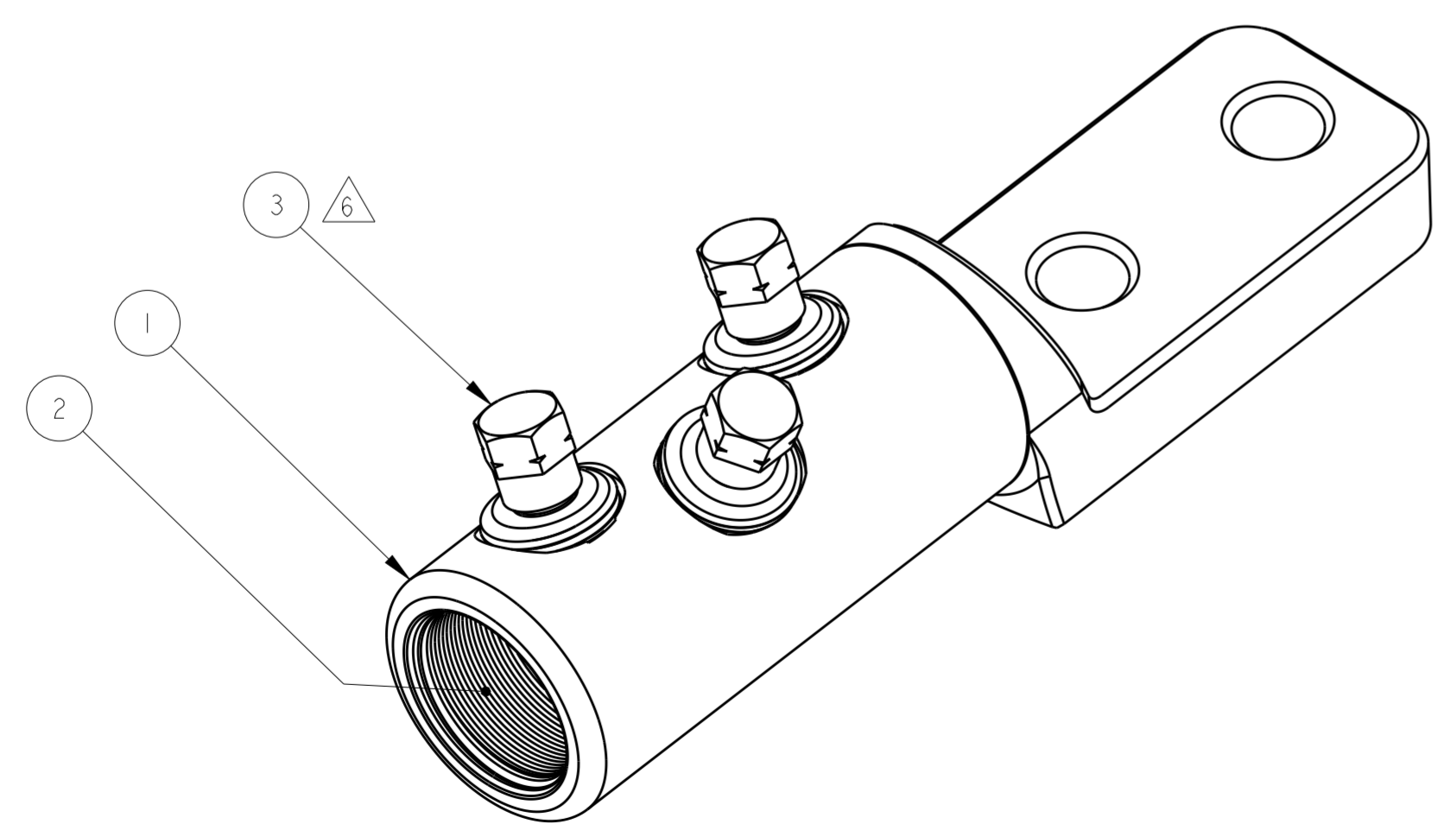
THIS DRAWING IS UNPUBLISHED. RELEASED FOR PUBLICATION 20  
 © COPYRIGHT 20 BY - ALL RIGHTS RESERVED.

REVISIONS				
P	LTR	DESCRIPTION	DATE	APVD
A		INITIAL REL. PER LC20-0002-12	19DEC2011	DM BJ
B		LC20-0026-14 / ECO-14-003593	07MAR2014	DM BJ
C		LC20-0064-20 / ECO-20-009245	29JUN2020	DM BJ



- ACCOMMODATES:  
1000 KCMIL COMPACT Ø26.92 (1.060 DIA) TO  
1000 KCMIL STANDARD Ø29.26 (1.152 DIA)  
ALUMINUM OR COPPER CONDUCTORS.
- MARKING:  
**STE**  
ASBT-1000-U  
1000 AL/CU  
AL9CU  
[DATE CODE]  
MADE IN [COUNTRY OF ORIGIN]  
**UL** LISTED 424C
- ALL DIMENSIONS ARE FOR REFERENCE ONLY.
- CONNECTOR CONTAINS FACTORY APPLIED ANTI-OXIDE INHIBITOR.
- FINISH:  
ELECTRO-TIN PLATED.
- INSTALL BOLTS WITH 13 mm [1/2 inch] HEX SOCKET.

ASBT-1000-U	1974153-1
CATALOG NO.	PART NO.



1	INSTALLATION INSTRUCTION SHEET, 408-32025	5
1	ABRASIVE TAPE	4
3	MULTI-SHEAR BOLT, M22, ALUMINUM ALLOY	3
A/R	INHIBITOR	2
1	TERMINAL CONNECTOR BODY, ALUMINUM ALLOY, TIN PLATED	1
-1	DESCRIPTION	ITEM NO
QTY	PARTS LIST	

THIS DRAWING IS A CONTROLLED DOCUMENT.

DIMENSIONS: mm [INCH]	TOLERANCES UNLESS OTHERWISE SPECIFIED: 0 PLC ± 1 PLC ± 2 PLC ± 3 PLC ± 4 PLC ± ANGLES ± FINISH	DWN: D. MURUGLAH 19DEC2011 CHK: A. BULZA 09FEB2012 APVD: B. JOHNSON 09FEB2012	<b>STE</b> TE Connectivity	
MATERIAL: SEE BOM	FINISH: SEE BOM	PRODUCT SPEC: - APPLICATION SPEC: - WEIGHT: -	NAME: SHEARBOLT TERMINAL, ALUMINUM, 2 HOLE NEMA PAD, 1000 KCMIL	
Customer Drawing		SCALE: NTS	DRAWING NO: A200779	RESTRICTED TO: -
		SHEET: 1	DRAWING NO: C-1974153	REV: C