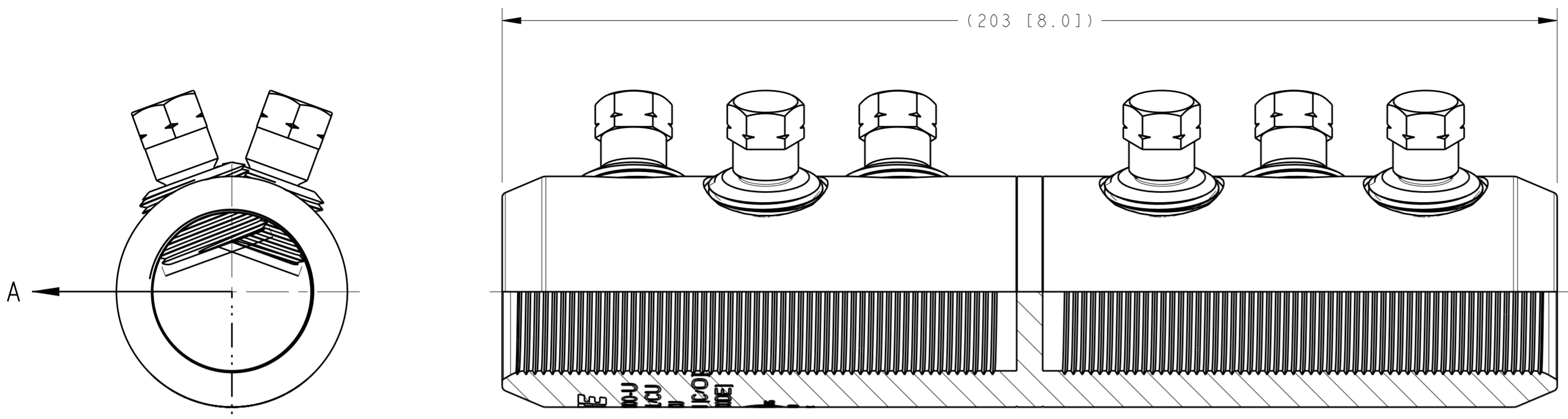
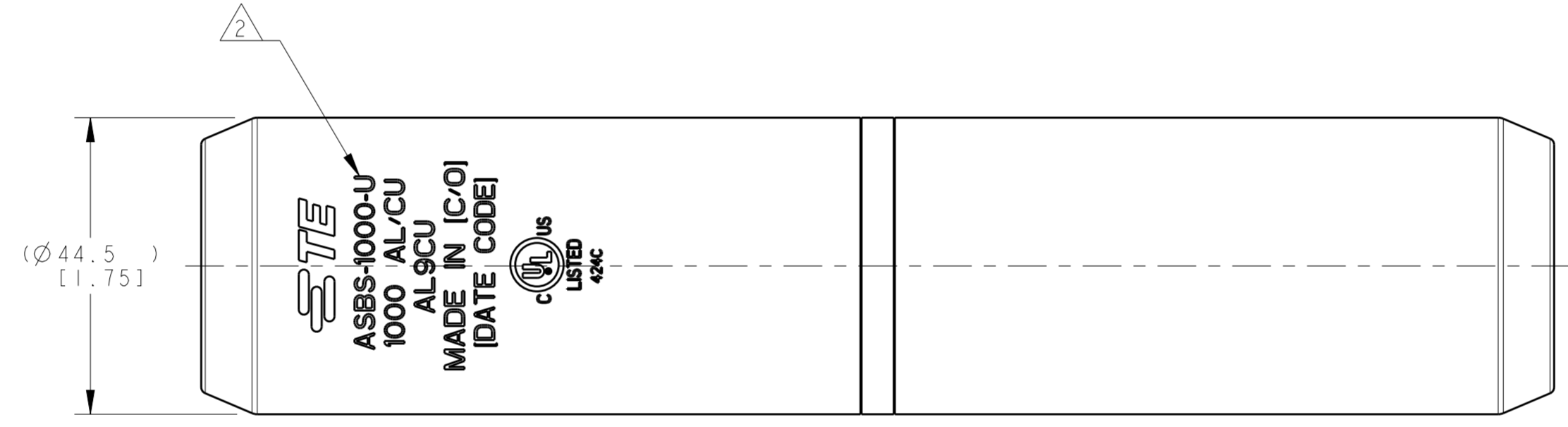


THIS DRAWING IS UNPUBLISHED. RELEASED FOR PUBLICATION 20
 © COPYRIGHT 20 BY - ALL RIGHTS RESERVED.

REVISIONS				
P	LTR	DESCRIPTION	DATE	APVD
B		LC20-0021-12 / ECO-12-004172	27FEB2012	DM BJ
C		LC20-0026-14 / ECO-14-003593	07MAR2014	DM BJ
CI		LC20-0068-14 / ECO-14-007528	15MAY2014	DM BJ
D		LC20-0064-20 / ECO-20-009245	29JUN2020	DM BJ

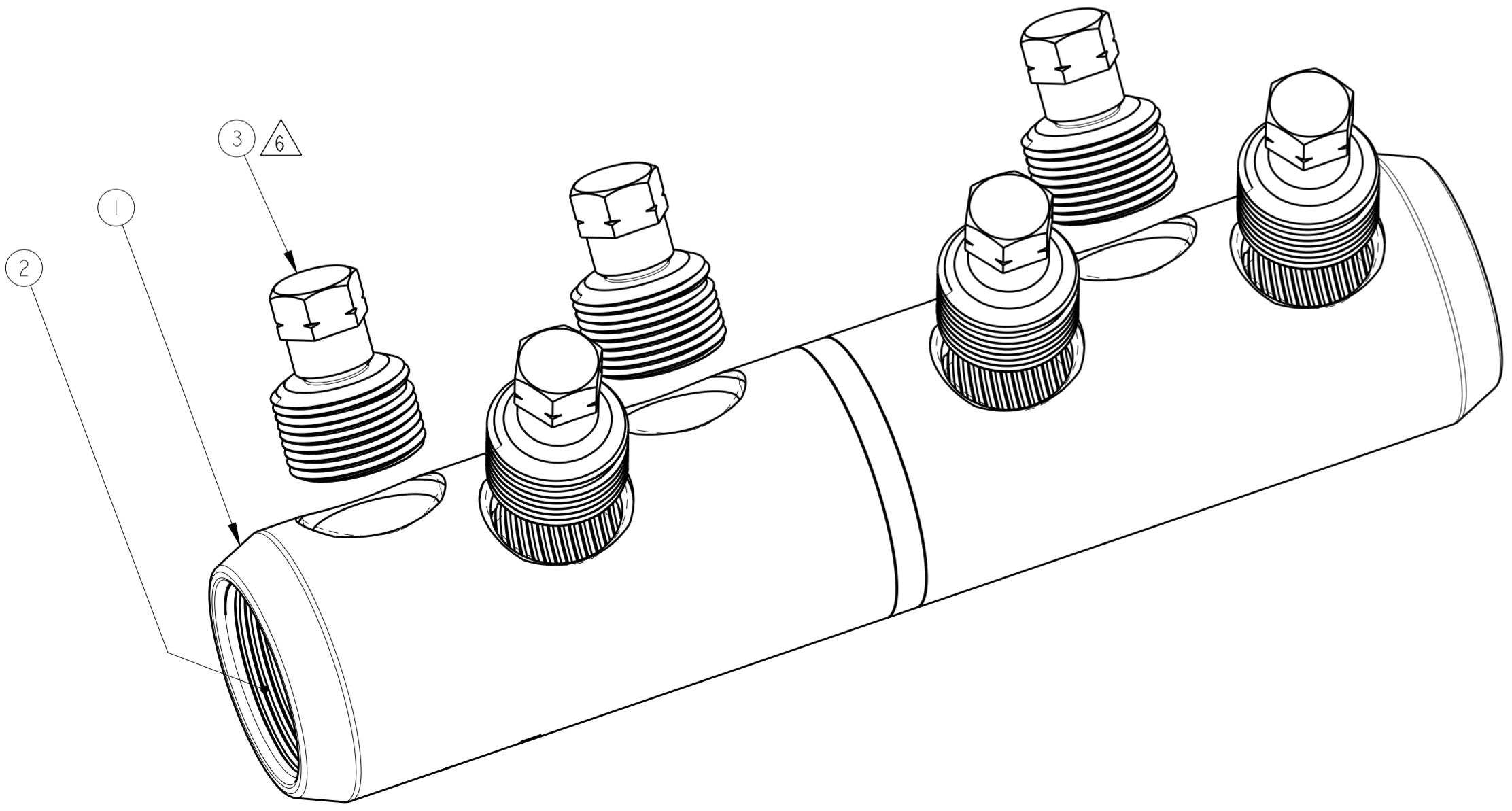


SECTION A-A



- ACCOMMODATES:
1000 KCMIL COMPACT Ø26.92 (1.060 DIA) TO
1000 KCMIL STANDARD Ø29.26 (1.152 DIA)
ALUMINUM OR COPPER CONDUCTORS.
- MARKING:
STE
ASBS-1000-U
1000 AL/CU
AL9CU
MADE IN [COUNTRY OF ORIGIN]
[DATE CODE]
UL LISTED 424C
- ALL DIMENSIONS ARE FOR REFERENCE ONLY.
- CONNECTOR CONTAINS FACTORY APPLIED ANTI-OXIDE INHIBITOR.
- FINISH:
ELECTRO-TIN PLATED.
- INSTALL BOLTS WITH 13 mm [1/2 inch] HEX SOCKET.

ASBS-1000-U	1974151-1
CATALOG NO.	PART NO.



QTY	DESCRIPTION	ITEM NO
1	INSTALLATION INSTRUCTION SHEET, 408-32026	5
1	ABRASIVE TAPE	4
6	BOLT, MULTI-SHEAR, M22 SIZE, ALUMINUM	3
A/R	INHIBITOR	2
1	CONNECTOR SLEEVE BODY, ALUMINUM ALLOY, TIN PLATED	1
-1	DESCRIPTION	ITEM NO
PARTS LIST		

THIS DRAWING IS A CONTROLLED DOCUMENT.

DIMENSIONS: mm [INCH]	TOLERANCES UNLESS OTHERWISE SPECIFIED: 0 PLC ± 1 PLC ± 2 PLC ± 3 PLC ± 4 PLC ± ANGLES ± FINISH	DWN 19DEC2011 D. MURUGLAH CHK 07FEB2012 A. BULZA APVD 07FEB2012 B. JOHNSON	TE Connectivity	
MATERIAL SEE BOM	SEE BOM	PRODUCT SPEC -	NAME SHEARBOLT SLEEVE CONNECTOR, ALUM, SOLID OIL STOP, 1000 KCMIL	
Customer Drawing		WEIGHT -	SIZE A2	CAGE CODE 00779
		DRAWING NO C-1974151		RESTRICTED TO -
		SCALE NTS	SHEET 1	REV D