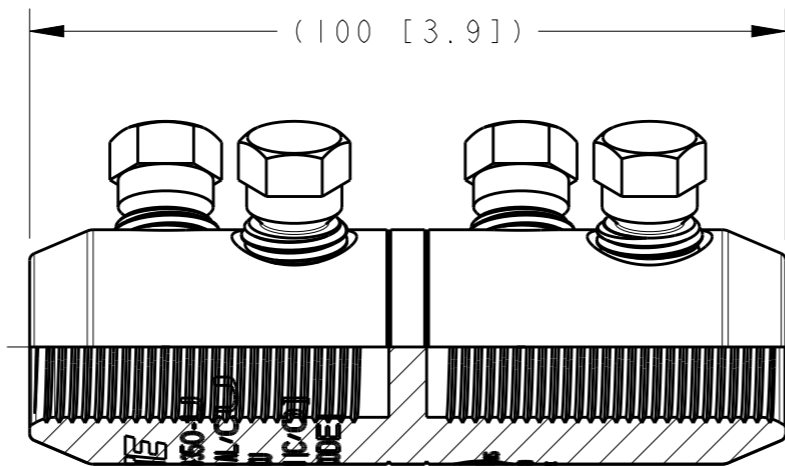
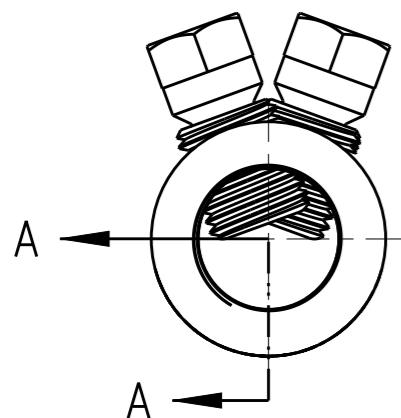


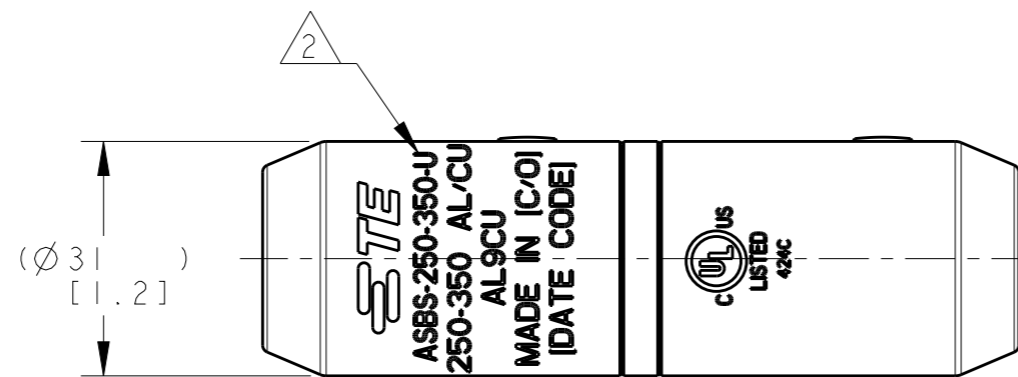
THIS DRAWING IS UNPUBLISHED. RELEASED FOR PUBLICATION 20  
 © COPYRIGHT 20 BY - ALL RIGHTS RESERVED.

REVISIONS

P	LTR	DESCRIPTION	DATE	DWN	APVD
	D	LC20-0028-14 / ECO-14-003928	13MAR2014	DM	BJ
	E	LC20-0089-14 / ECO-14-009276	17JUN2014	DM	BJ
	F	LC20-0096-16 / ECO-16-012326	18AUG2016	DM	BJ
	G	LC20-0088-20 / ECO-20-012153	21AUG2020	DM	BJ



SECTION A - A



1. ACCOMMODATES:  
 250 KCMIL COMPACT Ø13.21 (.520 DIA) TO  
 350 KCMIL STANDARD Ø17.30 (.681 DIA)  
 ALUMINUM OR COPPER CONDUCTORS.

2 MARKING:



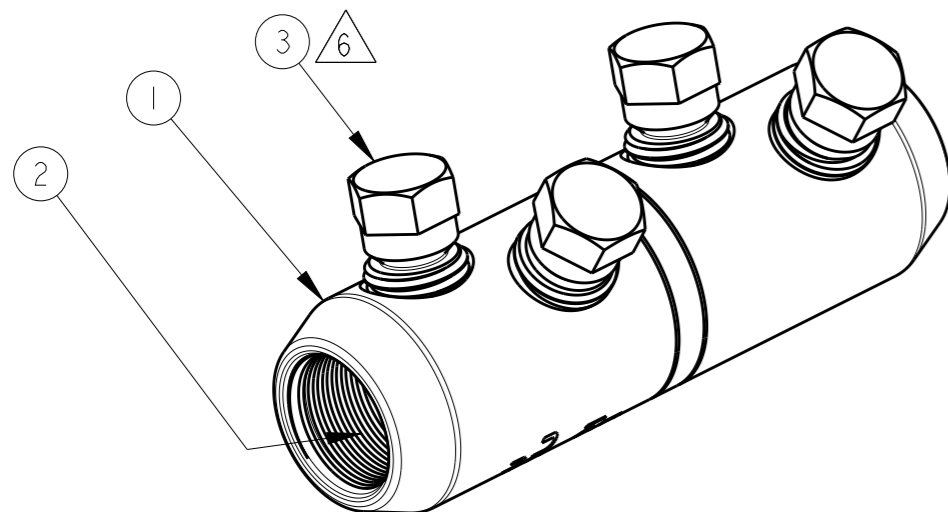
ASBS-250-350-U  
 250-350 AL/CU  
 AL9CU  
 MADE IN [C/O]  
 [DATE CODE]



- 3. ALL DIMENSIONS ARE FOR REFERENCE ONLY.
- 4. CONNECTOR CONTAINS FACTORY APPLIED ANTI-OXIDE INHIBITOR.
- 5. FINISH: ELECTRO-TIN PLATED.

6 INSTALL BOLTS WITH 13 mm [1/2 inch] HEX SOCKET.

ASBS-250-350-U	1974139-1
CATALOG NO	PART NO



QTY	DESCRIPTION	ITEM NO
1	INSTALLATION INSTRUCTION SHEET, 408-32026	5
1	ABRASIVE TAPE	4
4	MULTI SHEAR HEAD BOLT, M14 SIZE, ALUMINUM ALLOY	3
A/R	INHIBITOR	2
1	CONNECTOR SLEEVE BODY, ALUMINUM ALLOY, TIN PLATED	1

THIS DRAWING IS A CONTROLLED DOCUMENT.		DWN 19DEC2011 D. MURUGIAH		TE Connectivity	
DIMENSIONS: mm [INCH]		CHK 07FEB2012 A BULZA			
TOLERANCES UNLESS OTHERWISE SPECIFIED:		APVD 07FEB2012 B JOHNSON		NAME SHEARBOLT SLEEVE CONNECTOR, ALUM, TIN PLATED, SOLID OIL STOP, 250 KCMIL TO 350 KCMIL	
0 PLC ±		PRODUCT SPEC		SIZE CAGE CODE DRAWING NO RESTRICTED TO	
1 PLC ±		APPLICATION SPEC		A300779 C-1974139	
2 PLC ±		WEIGHT		SCALE NTS SHEET 1 OF 1 REV G	
3 PLC ±		CUSTOMER DRAWING			
4 PLC ±					
ANGLES ±					
MATERIAL SEE BOM		FINISH SEE BOM			