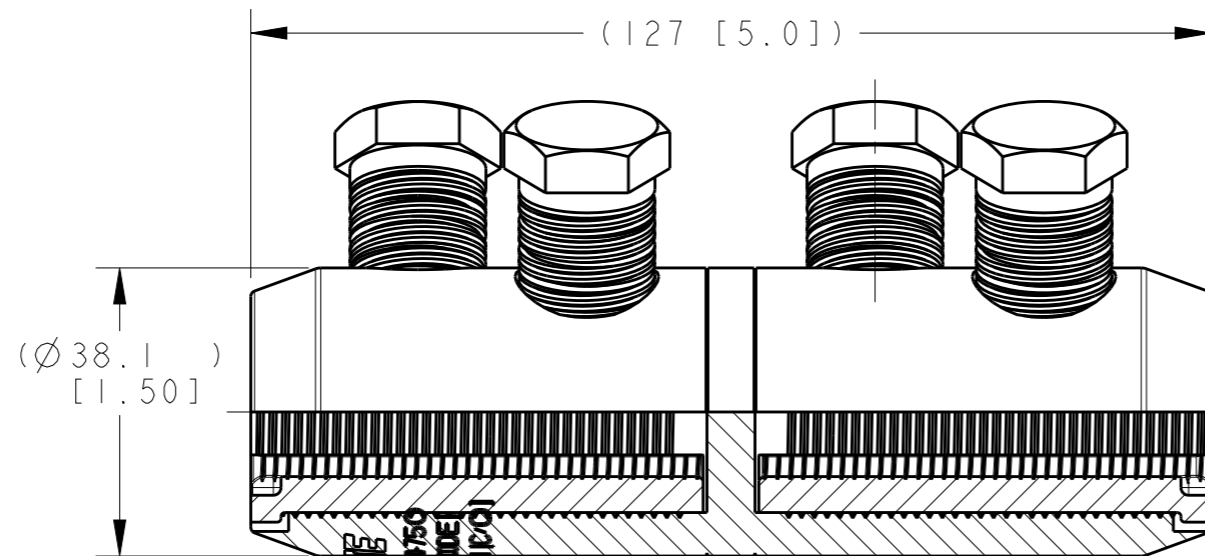
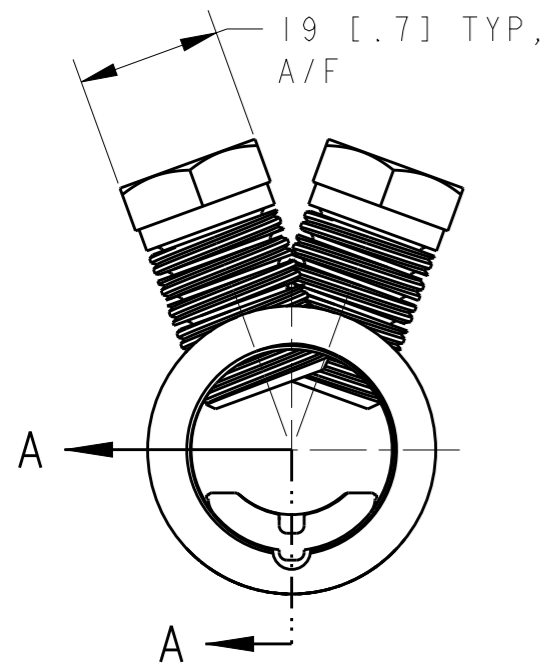
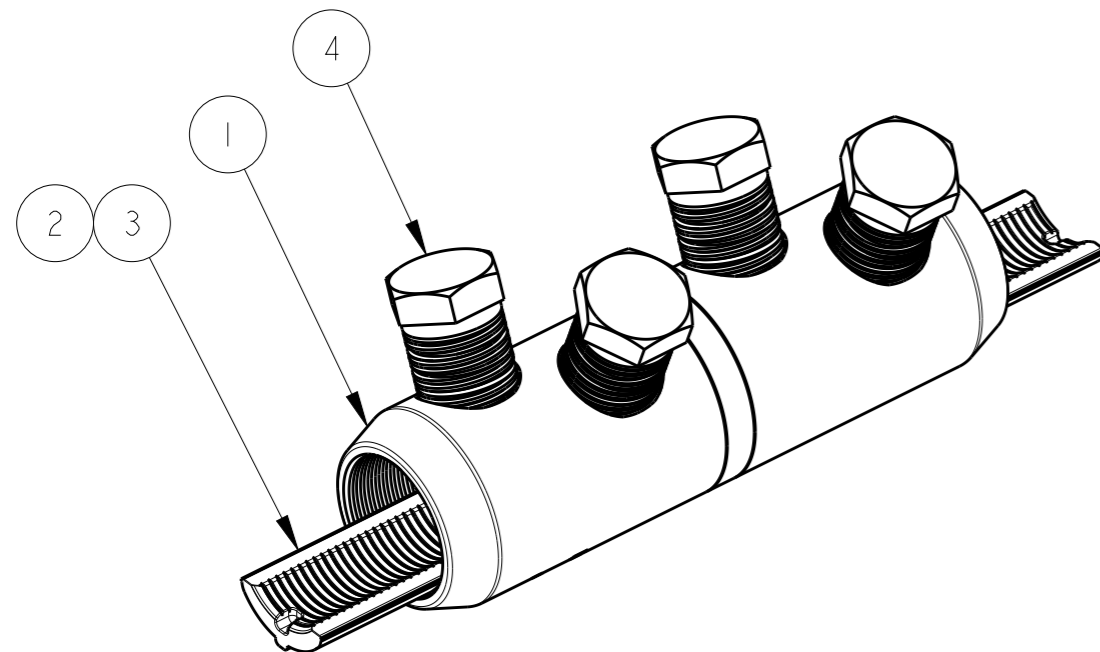
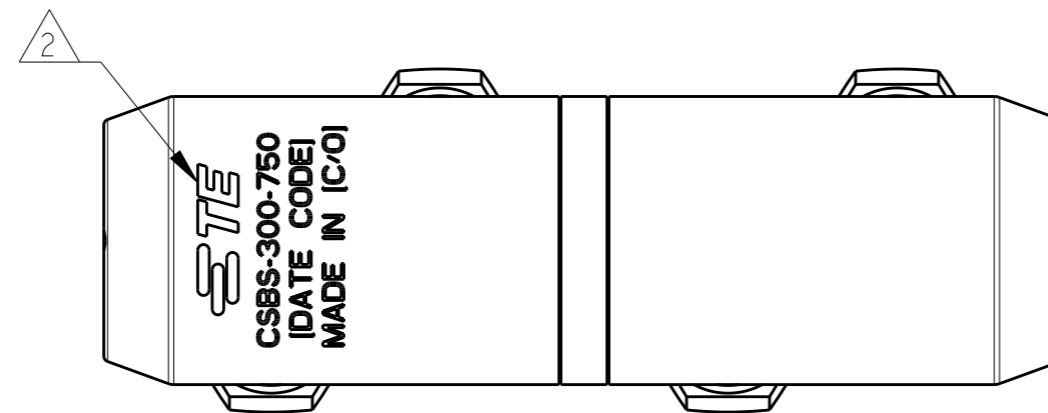


P	LTR	DESCRIPTION	DATE	DWN	APVD
	C	LC20-0014-20 / ECO-20-001675	28FEB2020	DM	BJ



SECTION A - A



CSBS-300-750	1974102-1
CATALOG NO.	PART NO.

- ACCOMMODATES:
300 KCMIL COMPACT (Ø14.5 [0.570 DIA]) TO
750 KCMIL STD (Ø25.3 [0.998 DIA]) COPPER
CONDUCTORS.

- MARKING:



CSBS-300-750
[DATE CODE]
MADE IN [COUNTRY OF ORIGIN]

- INSERT SHALL BE REMOVED FOR
CONDUCTOR SIZES 600 KCMIL
COMPRESSED STR (Ø22.0 [0.866 DIA])
AND LARGER.
- ALL DIMENSIONS ARE FOR
REFERENCE ONLY.
- INSTALL BOLT WITH 3/4" HEX SOCKET.

QTY	DESCRIPTION	ITEM NO
1	INSTALLATION INSTRUCTION SHEET, 408-10327	6
1	ABRASIVE TAPE	5
4	MULTI-SHEAR BOLT, BRASS, M18	4
A/R	CONTACT GREASE, NEUTRAL	3
2	INSERT, ETP COPPER	2
1	CONNECTOR SLEEVE BODY, ETP COPPER	1

THIS DRAWING IS A CONTROLLED DOCUMENT.

DIMENSIONS: mm [INCH]	TOLERANCES UNLESS OTHERWISE SPECIFIED:
	0 PLC ±
	1 PLC ±
	2 PLC ±
	3 PLC ±
	4 PLC ±
	ANGLES ±
MATERIAL SEE BOM	FINISH NONE

DWN D. MURUGIAH 17FEB2009
CHK A. BULZA 17FEB2009
APVD B. JOHNSON 17FEB2009
PRODUCT SPEC -
APPLICATION SPEC -
WEIGHT -

STE TE Connectivity			
NAME SHEARBOLT CONNECTOR, COPPER, SOLID OIL STOP, 300 KCMIL CPT TO 750 KCMIL STD			
SIZE A3	CAGE CODE 00779	DRAWING NO C-1974102	RESTRICTED TO