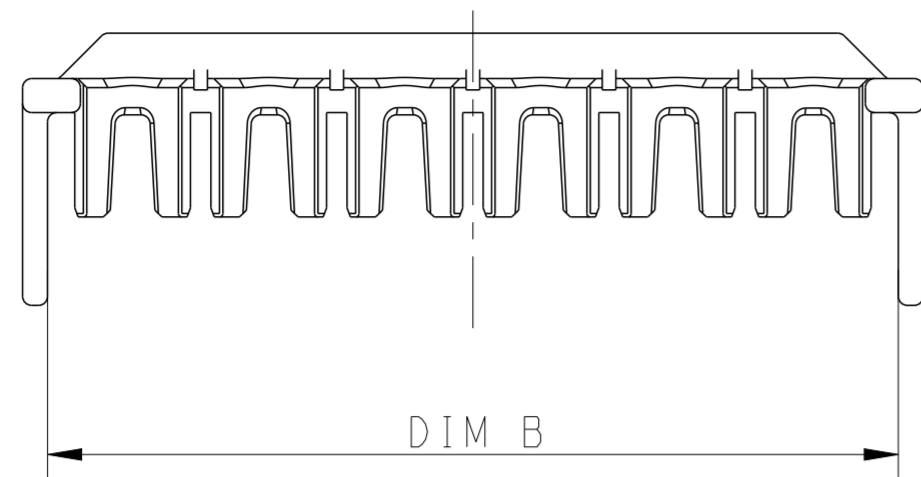
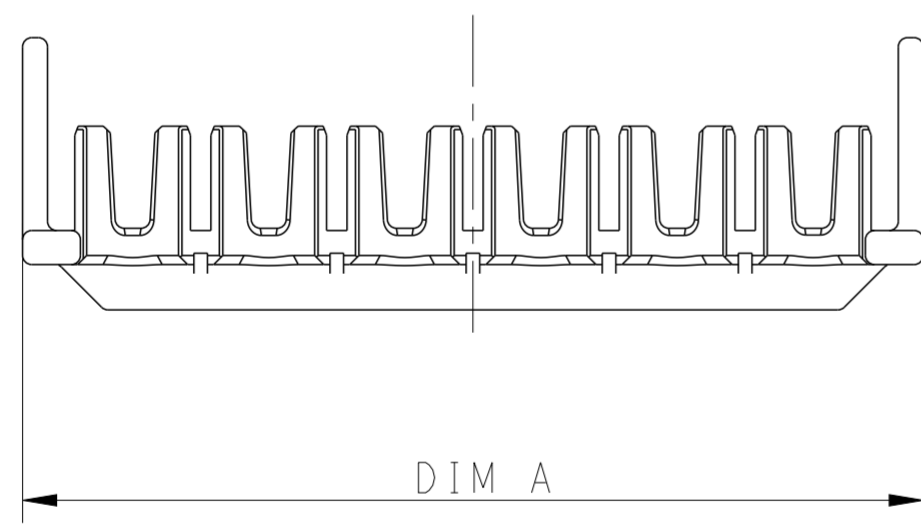
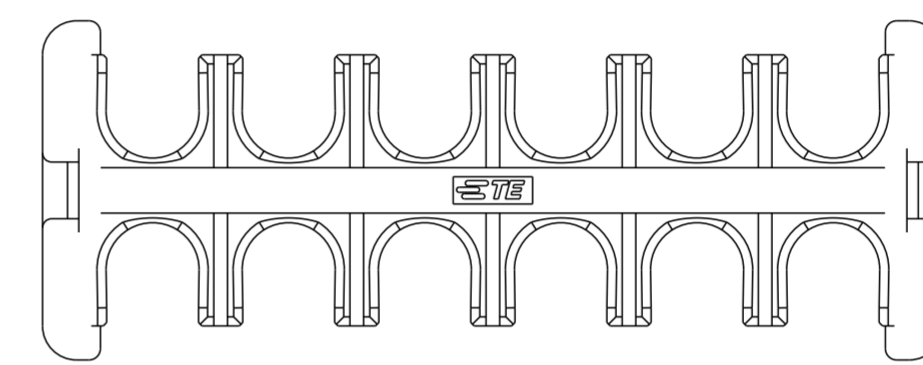
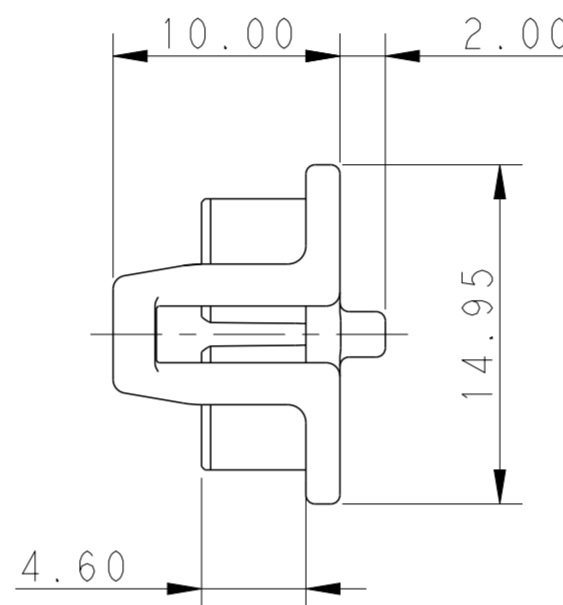
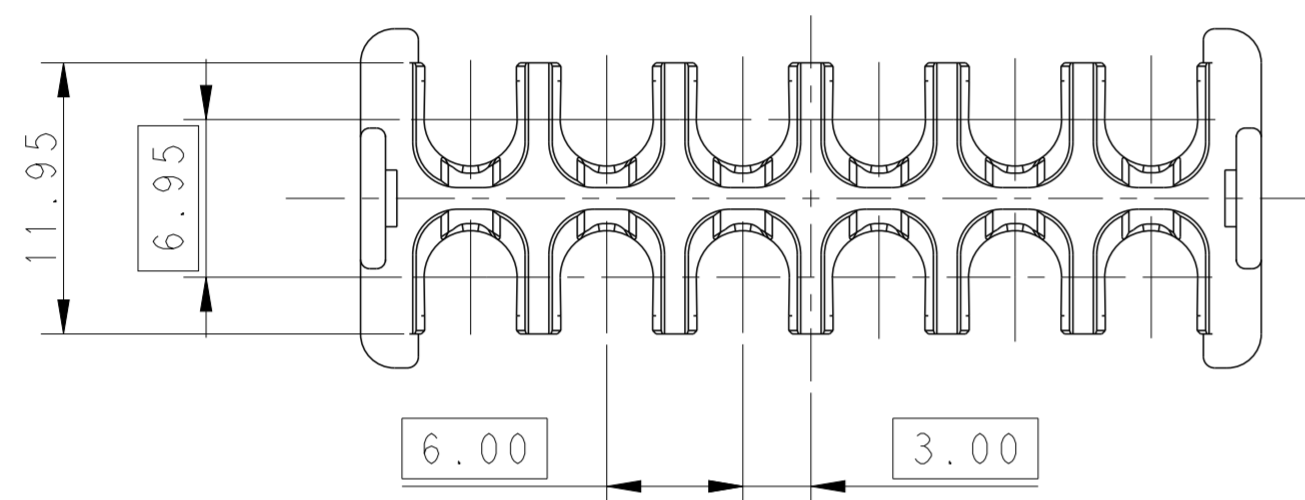


THIS DRAWING IS UNPUBLISHED. RELEASED FOR PUBLICATION 20
 © COPYRIGHT 20 BY - ALL RIGHTS RESERVED.

LOC		DIST		REVISIONS			
P	LTR	DESCRIPTION	DATE	DWN	APVD		
C		REVISED PER ECR-21-100678	08APR2021	SS	VS		
C1		REVISED PER ECR-24-204743	10APR2024	GK	DS		



POS.	DIM.A	DIM.B
2*6	39.70	37.5
2*5	33.70	31.5
2*4	27.70	25.5
2*3	21.70	19.5



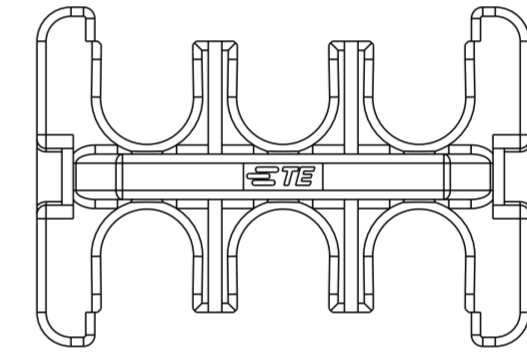
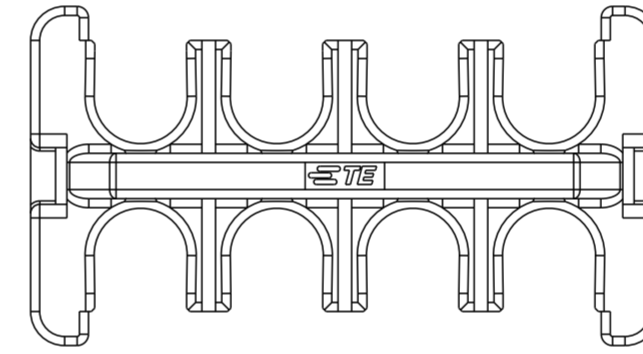
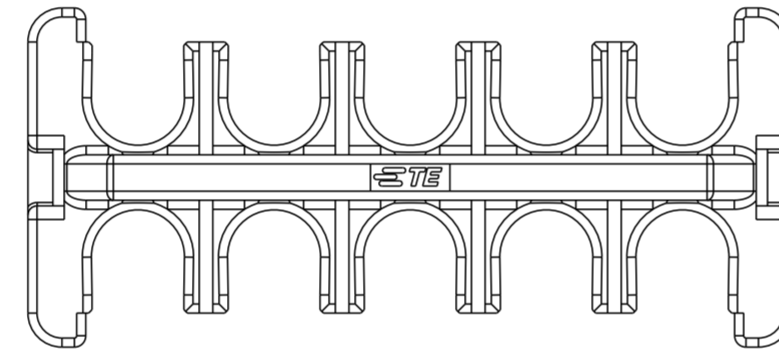
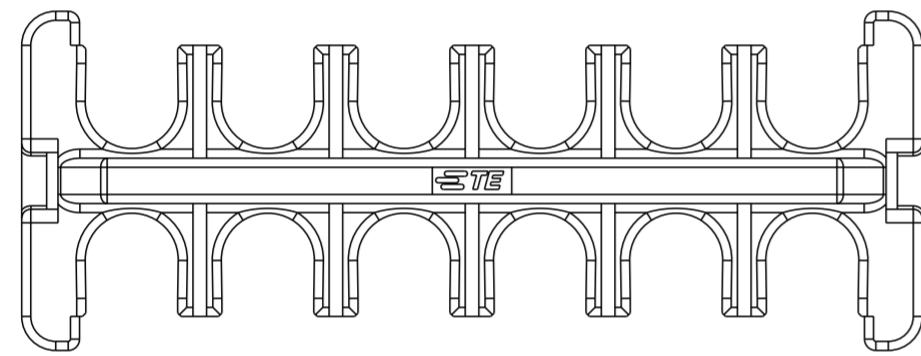
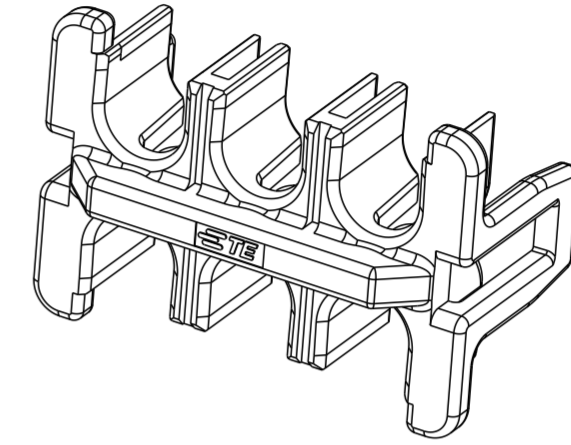
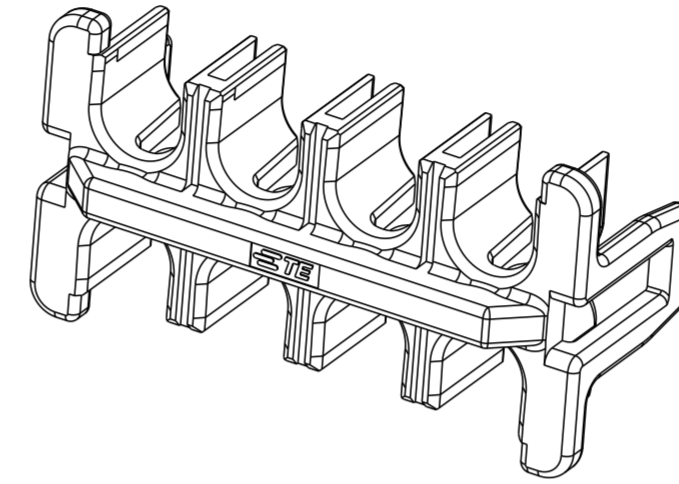
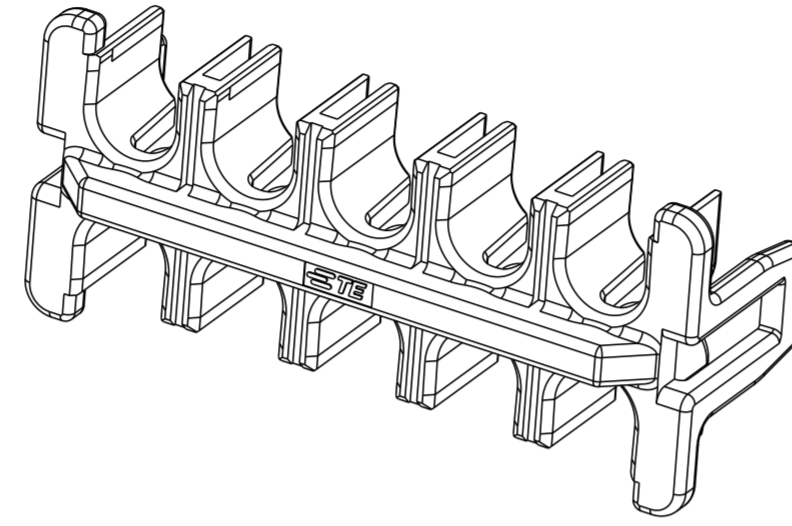
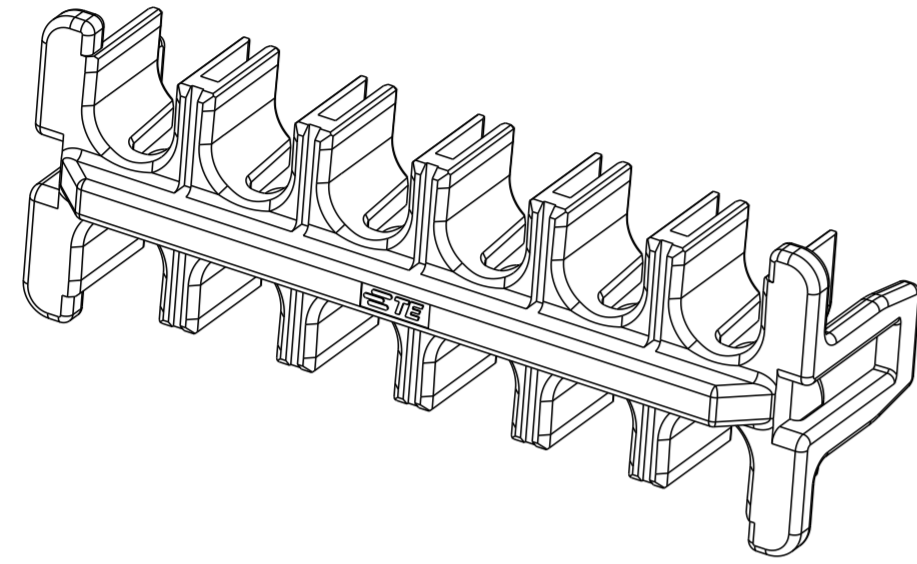
NOTE

- ① HIGH TEMP VERSIONS ARE RATED 150°C MAX AND ARE RECOMMENDED FOR USE WITH HIGH TEMP AND GLOW WIRE RATED HOUSINGS.
- ② HOT WIRE IGNITION (HWI) VERSIONS ARE MOLDED IN A RESIN THAT COMPLIES WITH TE PENDING HOT WIRE IGNITION TEST AND ARE RECOMMENDED FOR USE WITH HWI HOUSINGS THAT ALSO COMPLY.
- ③ STANDARD TEMPERATURE VERSIONS, RATED 140°C MAX ARE RECOMMENDED FOR USE WITH STANDARD TEMP AND GLOW WIRE RATED HOUSINGS.
- 4. MATING CONN, P/N
 CAP HSG: *-1971*7*-*/*-22322***-*/*-22323***-
 PLUG HSG: *-1971*7*-*/*-22322***-*/*-22323***-
- 5. FLAMMABILITY RATING: UL94 V-0
- ⑥ PRELIMINARY - NOT RELEASED FOR PRODUCTION.

THIS DRAWING IS A CONTROLLED DOCUMENT.		DWN TOMMY WU 09JUL2012	STE TE Connectivity	
DIMENSIONS: mm		CHK HAPYE WU 09JUL2012		
TOLERANCES UNLESS OTHERWISE SPECIFIED:		APVD YUHONG MAO 09JUL2012	NAME TPA, DOUBLE ROW POWER TRIPLE LOCK	
0 PLC ± -		PRODUCT SPEC 108-106118	SIZE CAGE CODE DRAWING NO RESTRICTED TO	
1 PLC ± 0.35		APPLICATION SPEC 114-106118	A2 00779 C-1971778	
2 PLC ± 0.25		WEIGHT -	SCALE - SHEET 1 OF 2 REV C1	
3 PLC ± -		MATERIAL 1	Customer Drawing	
4 PLC ± -		FINISH		
ANGLES ± -				

THIS DRAWING IS UNPUBLISHED. RELEASED FOR PUBLICATION 20
 © COPYRIGHT 20 BY - ALL RIGHTS RESERVED.

LOC		DIST		REVISIONS			
P	LTR	DESCRIPTION	DATE	DWN	APVD		
-	-	SEE SHEET 1	-	-	-		



2*6 POSITIONS

2*5 POSITIONS

2*4 POSITIONS

2*3 POSITIONS

COLOR	MATERIAL	TYPE	POSITIONS	P/N
RED	PBT GF	STANDARD TEMP △3	2*6	△6 4-1971778-6
			2*5	△6 4-1971778-5
			2*4	△6 4-1971778-4
			2*3	△6 4-1971778-3
NATURAL	PBT GF	HWI △2	2*6	2-1971778-6
			2*5	2-1971778-5
			2*4	2-1971778-4
BLACK	NYLON PA66	HIGH TEMP △1	2*6	1971778-6
			2*5	1971778-5
			2*4	1971778-4
2*3	1971778-3			

THIS DRAWING IS A CONTROLLED DOCUMENT.		DWN TOMMY WU 09JUL2012
DIMENSIONS: mm		CHK HAPYE WU 09JUL2012
TOLERANCES UNLESS OTHERWISE SPECIFIED:		APVD YUHONG MAO 09JUL2012
0 PLC ± -	1 PLC ± 0.35	PRODUCT SPEC 108-106118
2 PLC ± 0.25	3 PLC ± -	APPLICATION SPEC 114-106118
4 PLC ± -	ANGLES ± -	WEIGHT -
MATERIAL FINISH		Customer Drawing

TE Connectivity		NAME	
		TPA, DOUBLE ROW POWER TRIPLE LOCK	
SIZE	CAGE CODE	DRAWING NO	RESTRICTED TO
A2	00779	C-1971778	-
SCALE -		SHEET 2 OF 2	REV C1