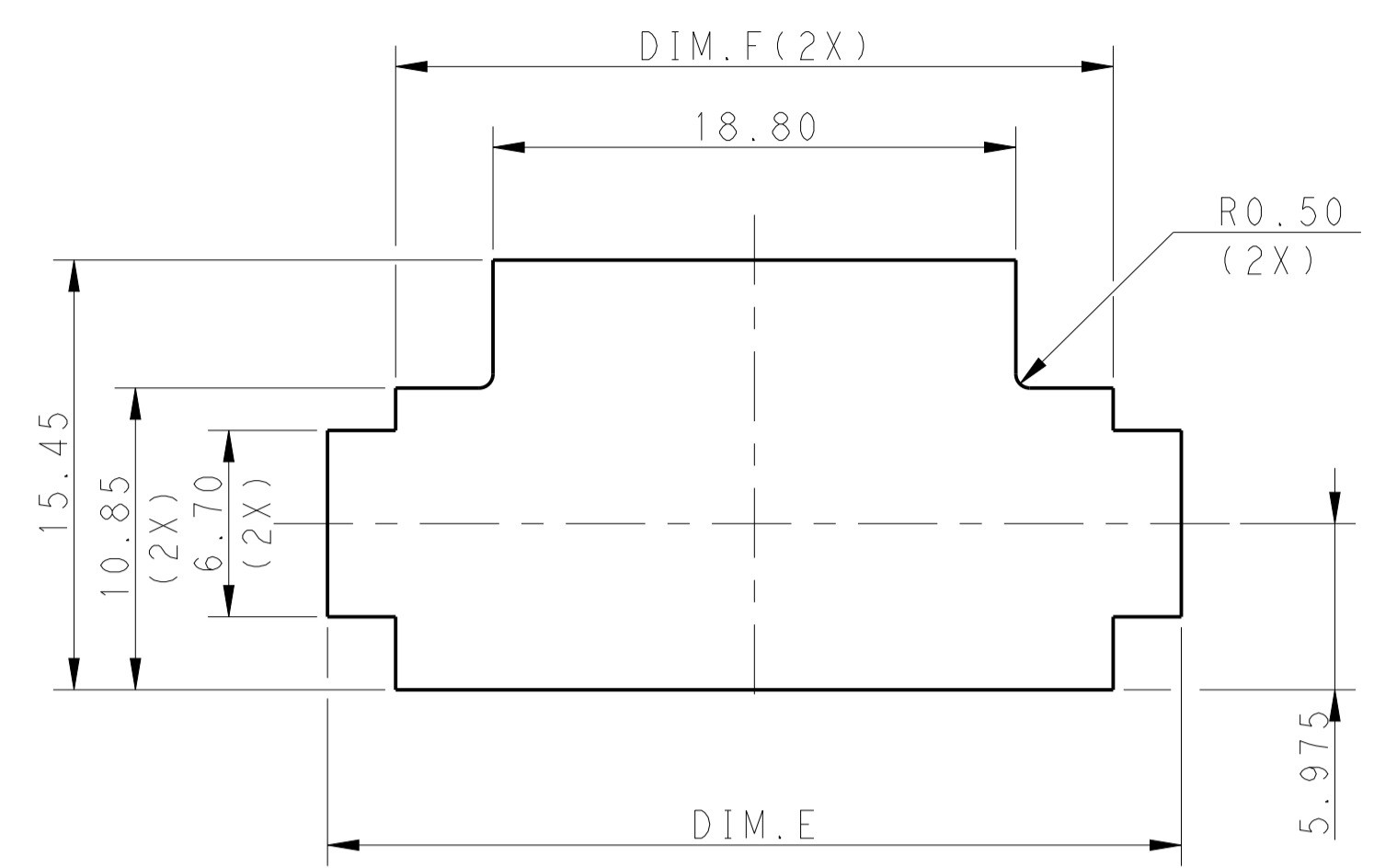
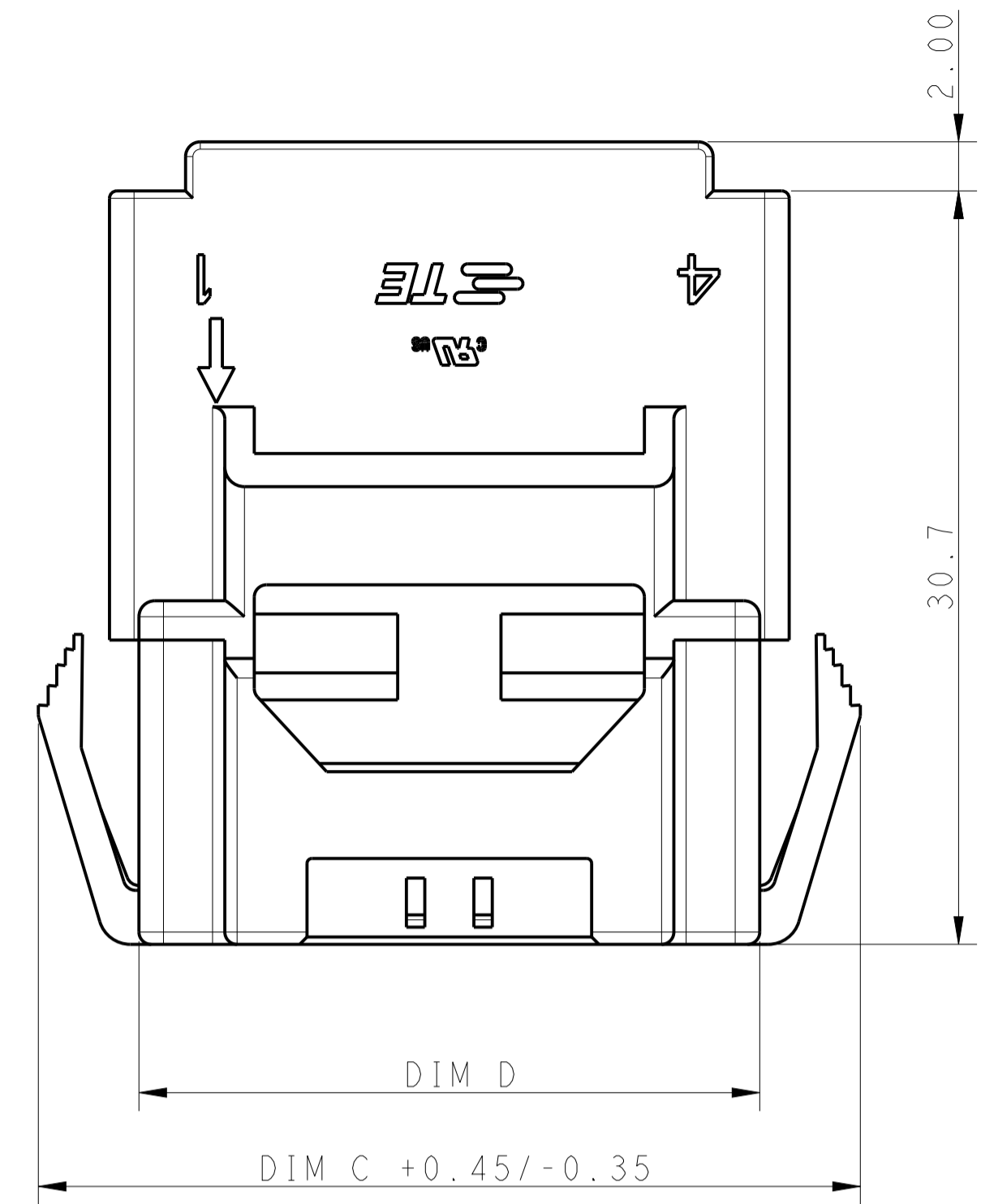


REVISONS		DATE	DWN	APVD
F	REVISED PER ECR-21-100678	08APR2021	SS	VS

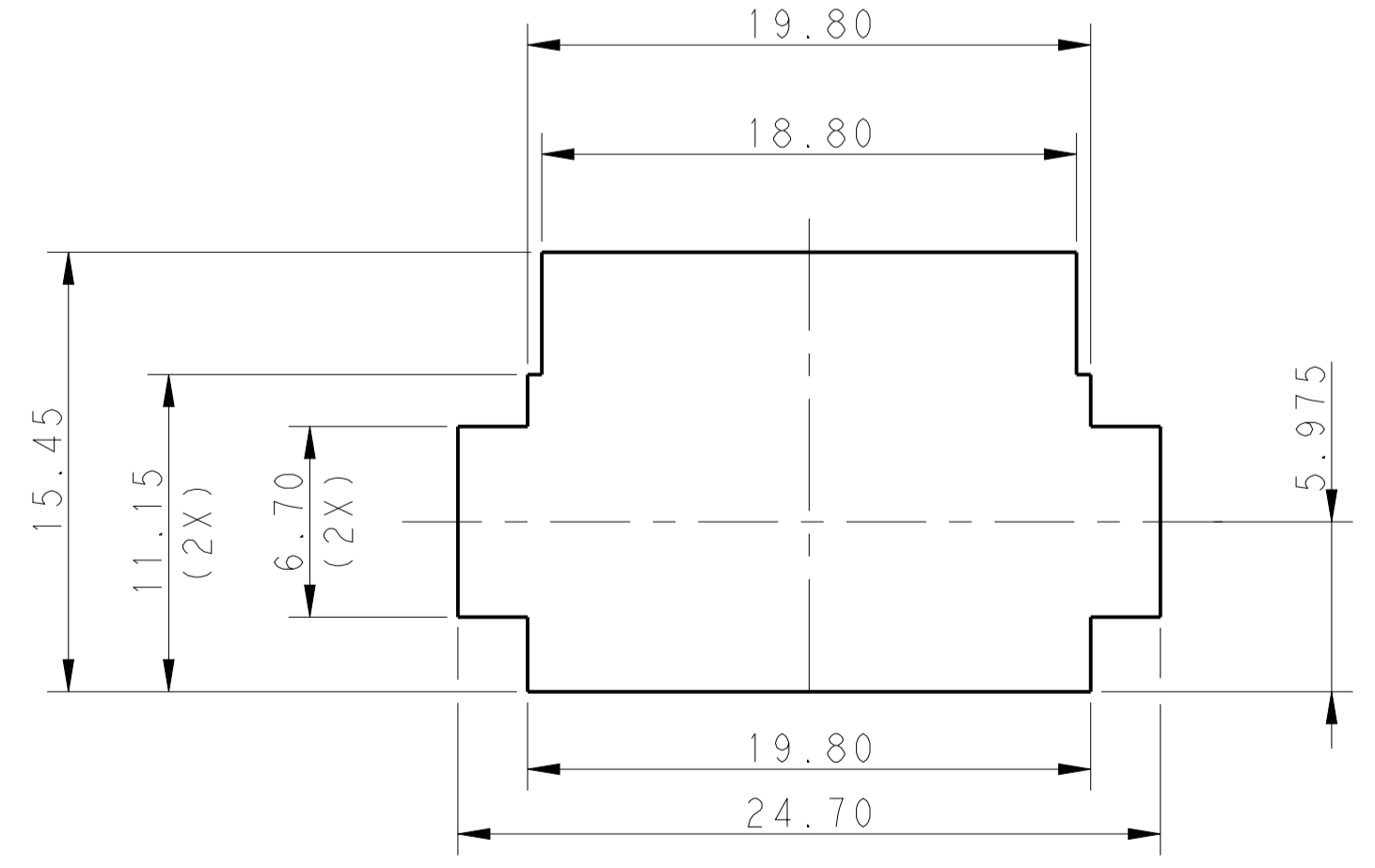
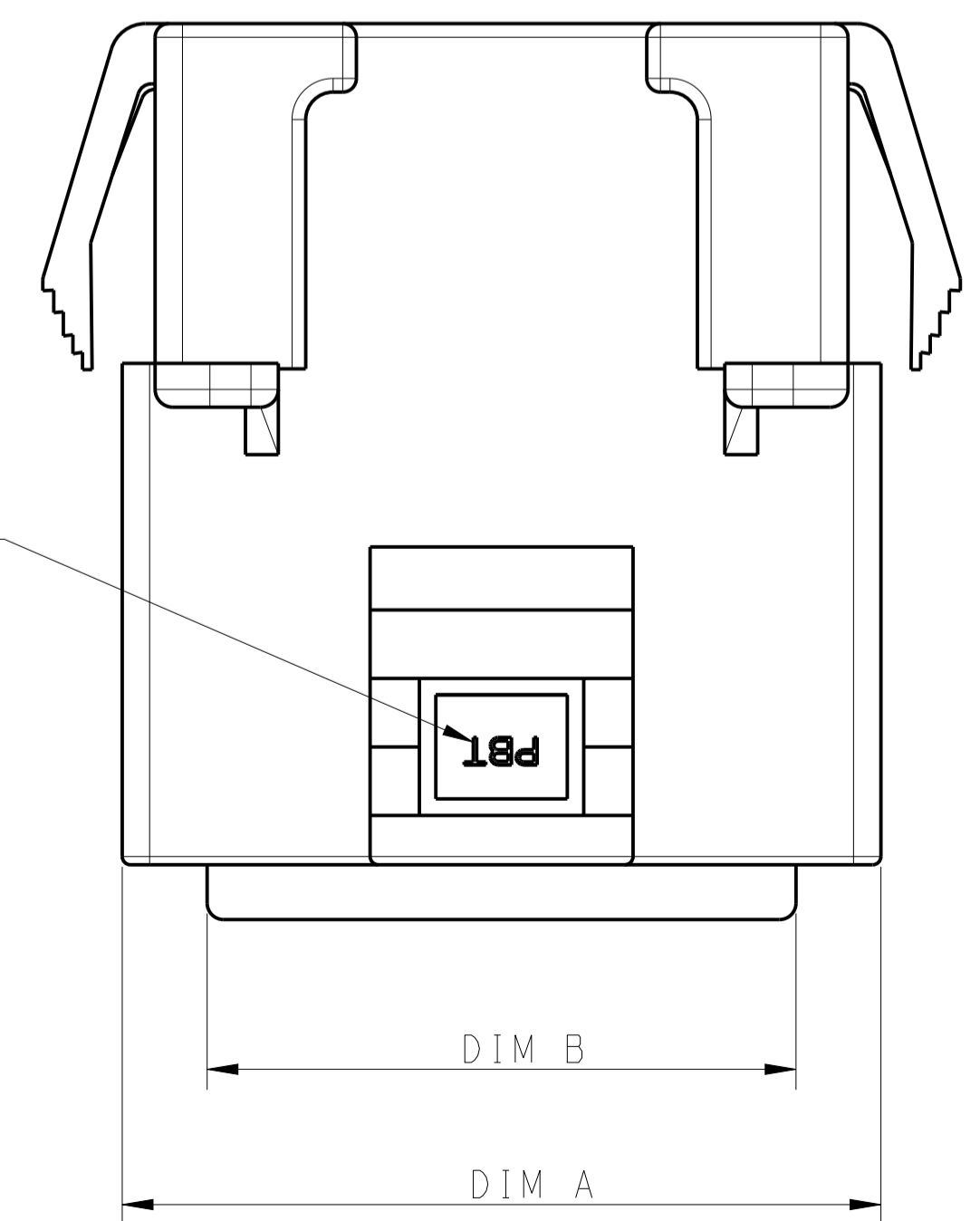
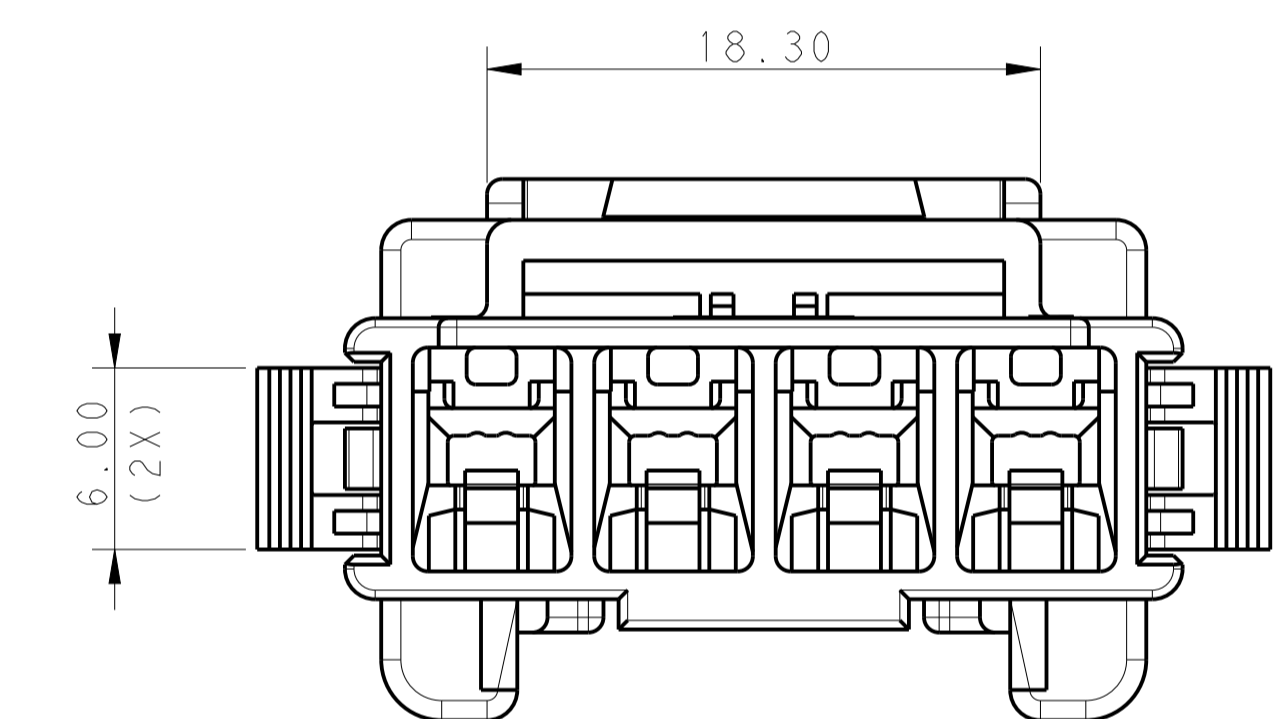
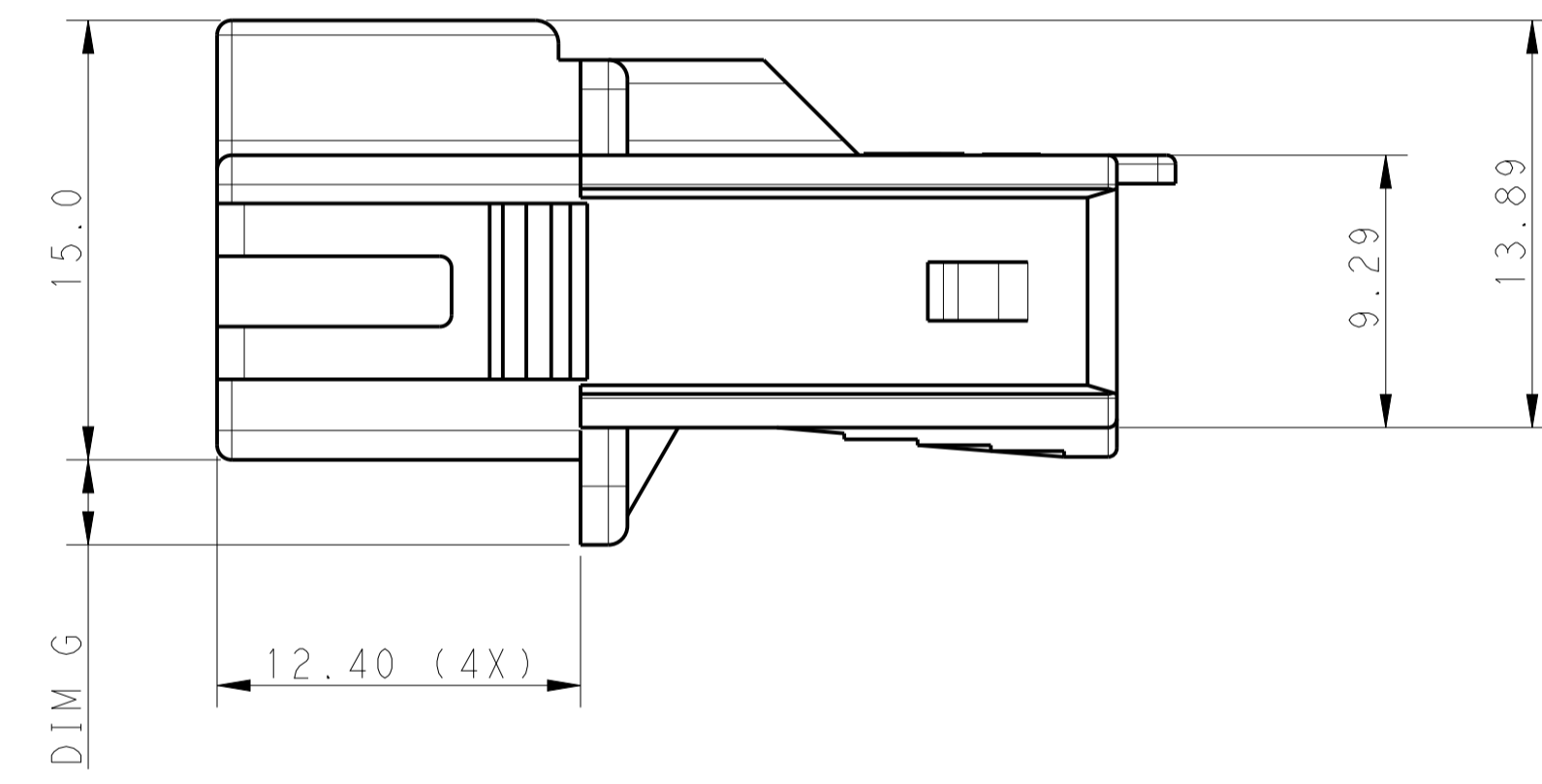
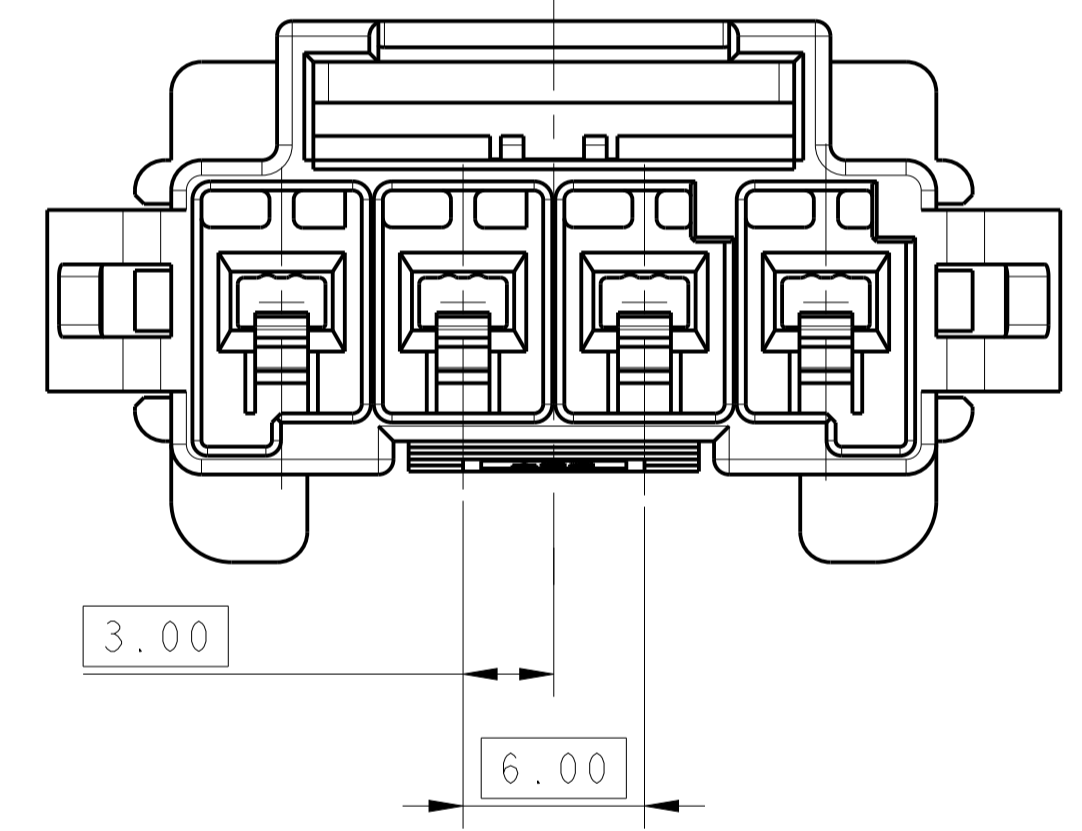


RECOMMENDED PANEL OPENING DIMENSIONS FOR CAP HOUSING 1*5 AND 1*4 POSITIONS (TOLERANCE: ±0.15mm)

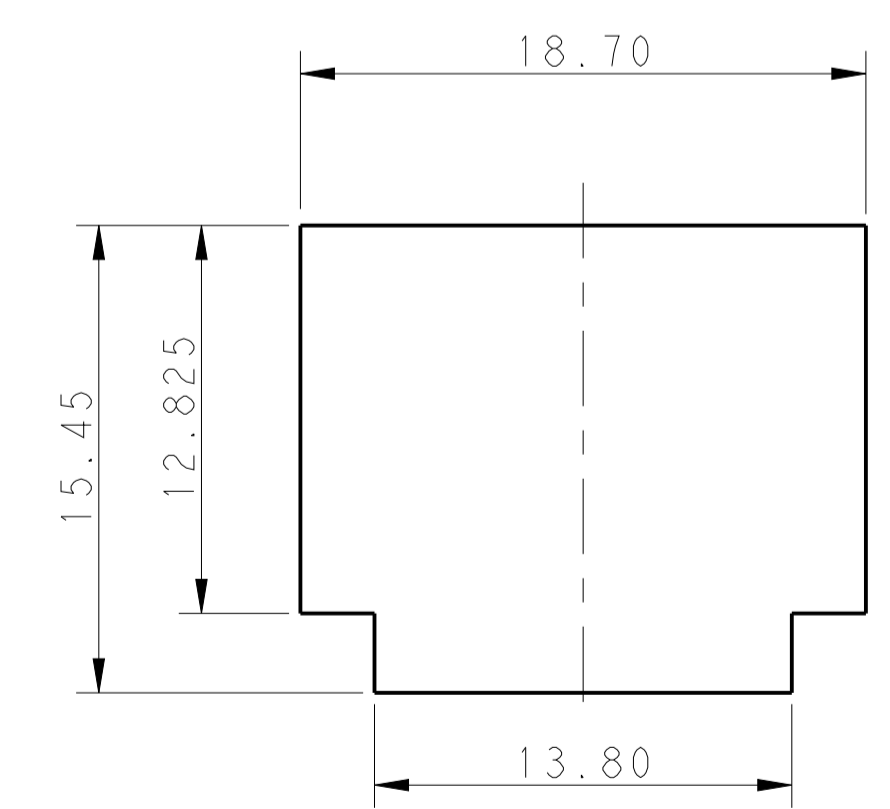
△ MATERIAL:
 LEVEL 1:PBT GLASS FILLED, STANDARD TEMPERATURE 105°C
 KEY A:NATURAL; KEY B:PURPLE; KEY C:BLUE; KEY D:YELLOW
 LEVEL 2:NYLON, HIGH TEMPERATURE 150°C
 KEY A:LIGHT GREY; KEY B:RED; KEY C:BLACK; KEY D:NATURAL

△ MATERIAL MARK:
 LEVEL 1:PBT, LEVEL 2:HDT
 3 APPLICABLE CONTACT P/N
 TAB CONTACT:1971238/1971780/82/84/86/88-*,2238067-*

△ 7 GLOW WIRE COMPLIANT IN ACCORDANCE WITH IEC 60335-1. THIS IS BASED ON THE PRODUCT MEETING A GWPEPT 850°C TEST AND A RESIN GWIT >=775°C
 8 LEVEL 2 MATERIAL IS SHOWN IN ALL VIEWS EXCEPT WHERE INDICATED BY NOTE 9.
 △ 9 FOR LEVEL 1 MATERIAL, KEY A AND B ONLY, THESE END KEYS FOR POSITIONS 2 THRU 5 ARE RECESSED.



RECOMMENDED PANEL OPENING DIMENSIONS FOR CAP HOUSING 1*3 POSITION (TOLERANCE: ±0.15mm)



RECOMMENDED PANEL OPENING DIMENSIONS FOR CAP HOUSING 1*2 POSITION (TOLERANCE: ±0.15mm)

POS	A	B	C	D	E	F	G
1*5	33.7	27.5	39.5	31.3	36.7	31.8	2.9
1*4	27.7	21.5	33.5	25.3	30.7	25.8	2.9
1*3	21.7	15.5	27.5	19.3			2.5
1*2	15.7	9.5	21.5	13.3			1.1

THIS DRAWING IS A CONTROLLED DOCUMENT.

DWN: TOMMY WU 06JUL2012
 CHK: HAPYE WU 06JUL2012
 APVD: YUZHONG MAO 06JUL2012

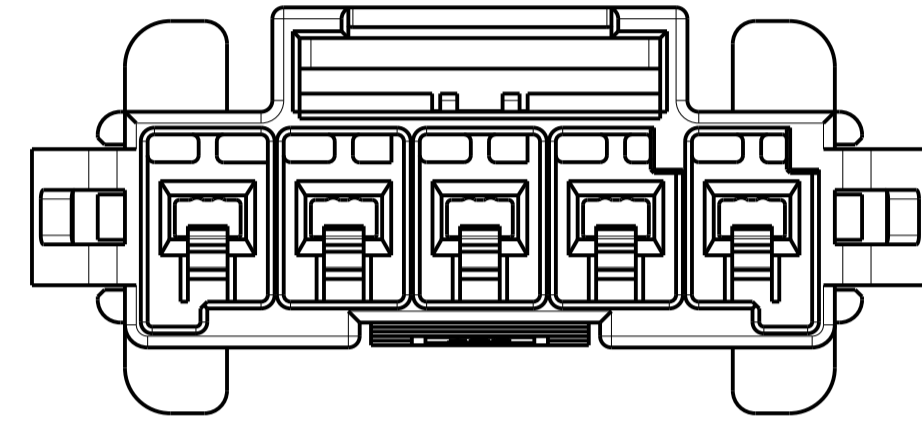
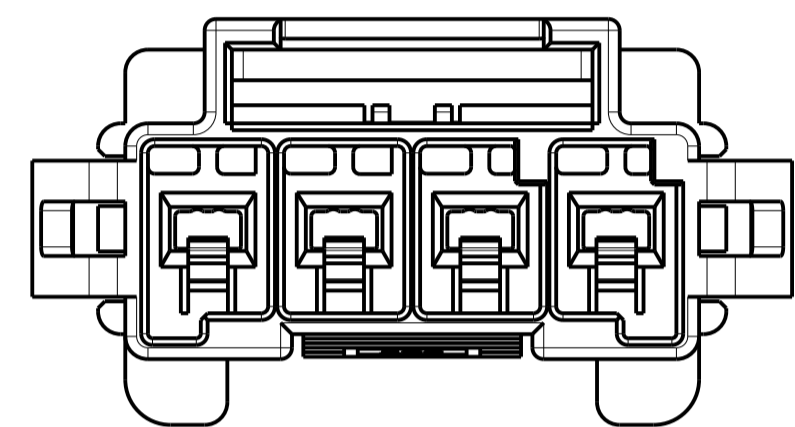
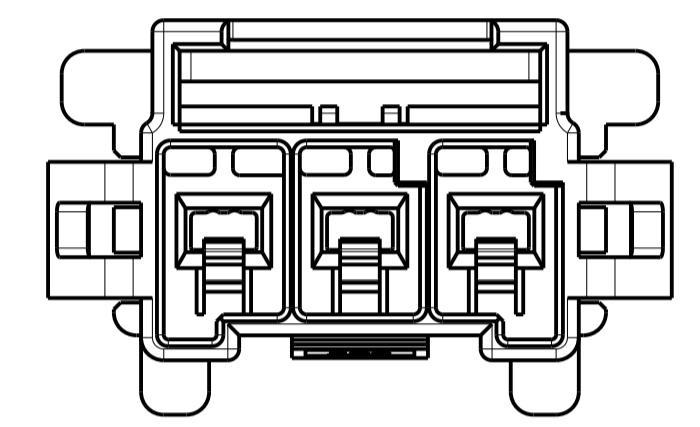
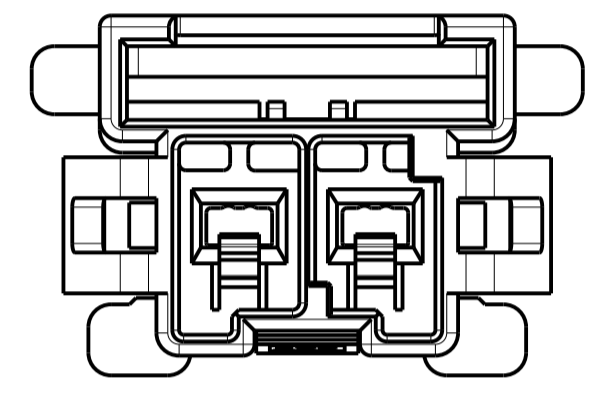
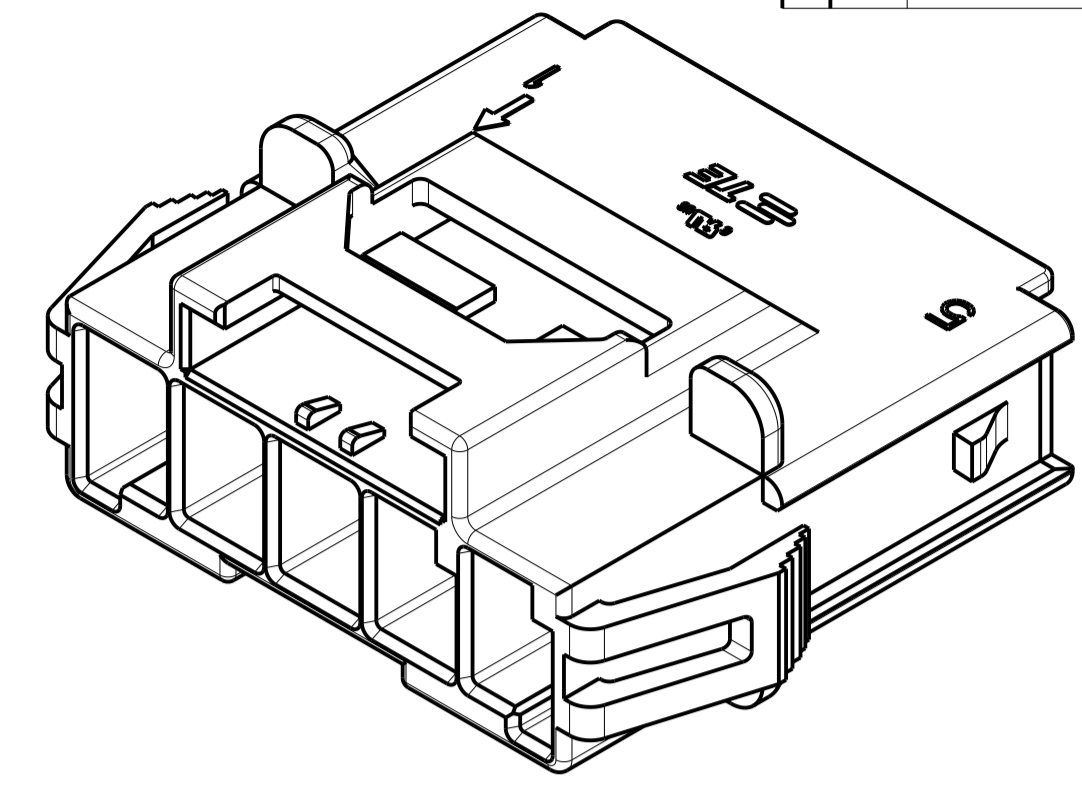
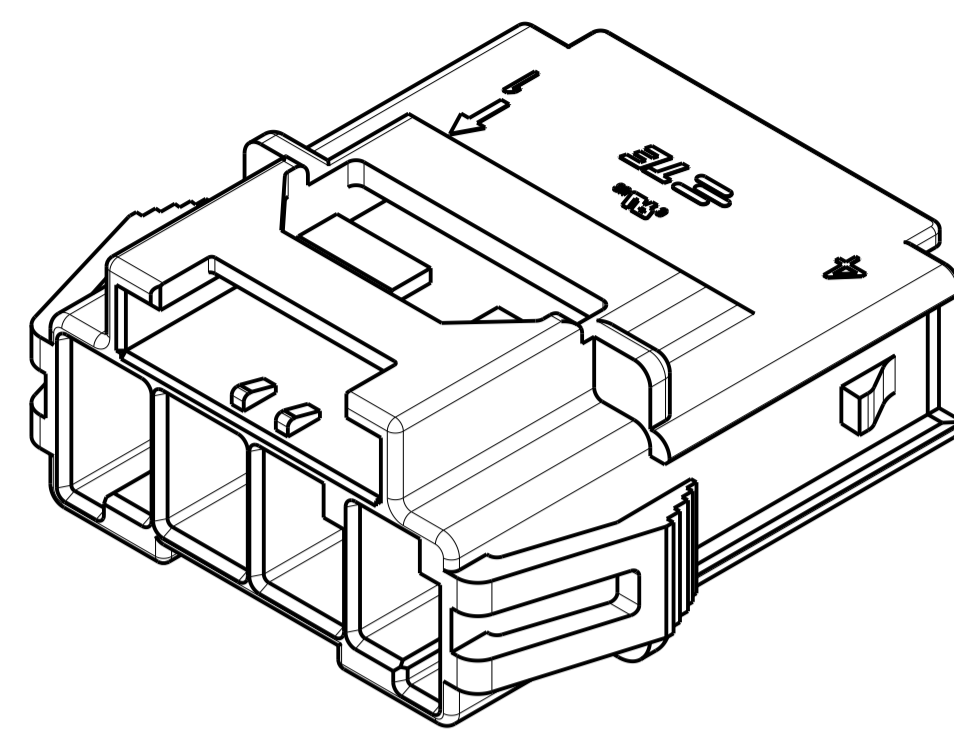
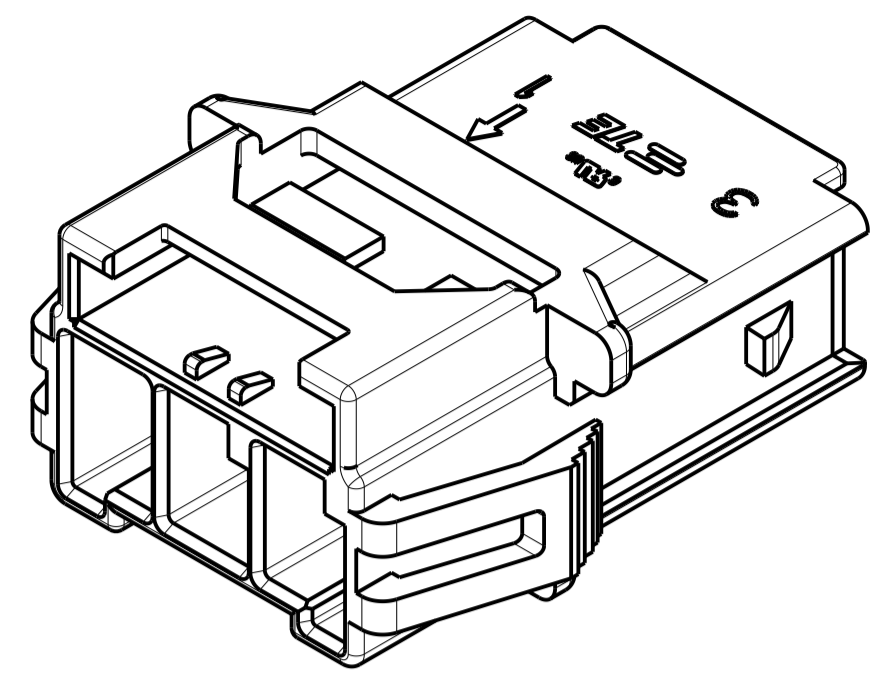
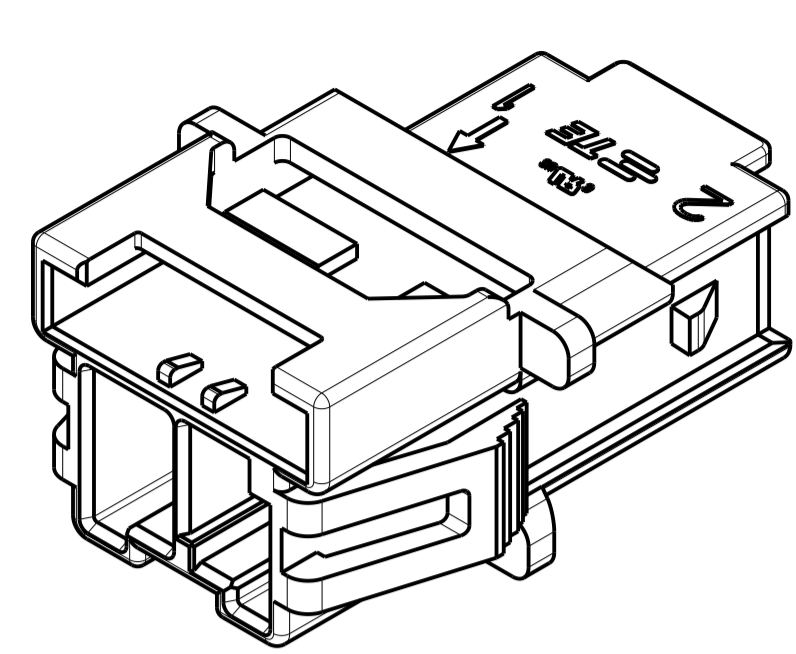
DIMENSIONS: mm
 TOLERANCES UNLESS OTHERWISE SPECIFIED:
 0 PLC ±0.35
 1 PLC ±0.25
 2 PLC ±0.25
 3 PLC ±0.25
 4 PLC ±0.25
 ANGLES ±0.5

MATERIAL: PBT
 FINISH: -

Customer Drawing

TE Connectivity
 NAME: CAP HOUSING, PANEL MOUNT, SINGLE ROW POWER TRIPLE LOCK
 SIZE: A100779
 CAGE CODE: 1971772
 SCALE: 1:1 SHEET 1 OF 2 REV F

LOC		DIST		REVISIONS			
P	LTN	DESCRIPTION	DATE	DWN	APVD		
-	-	SEE SHEET 1	-	-	-		

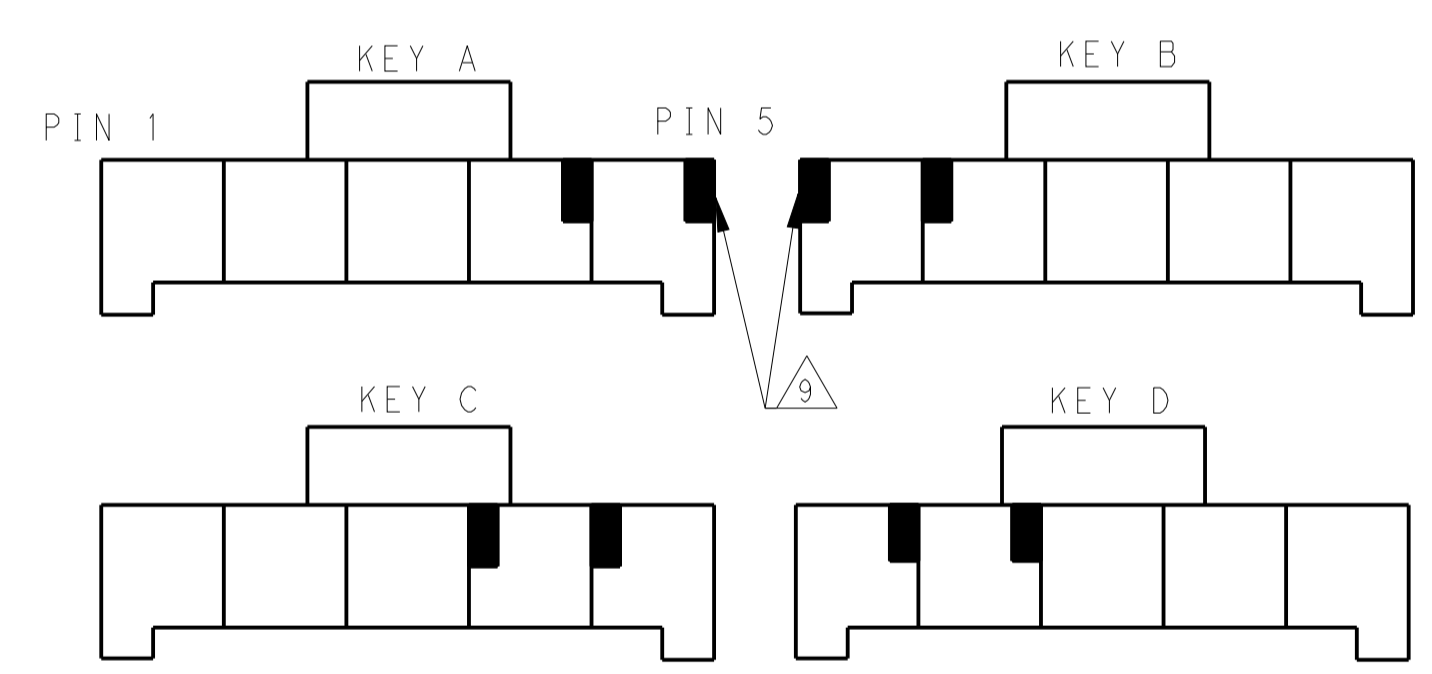
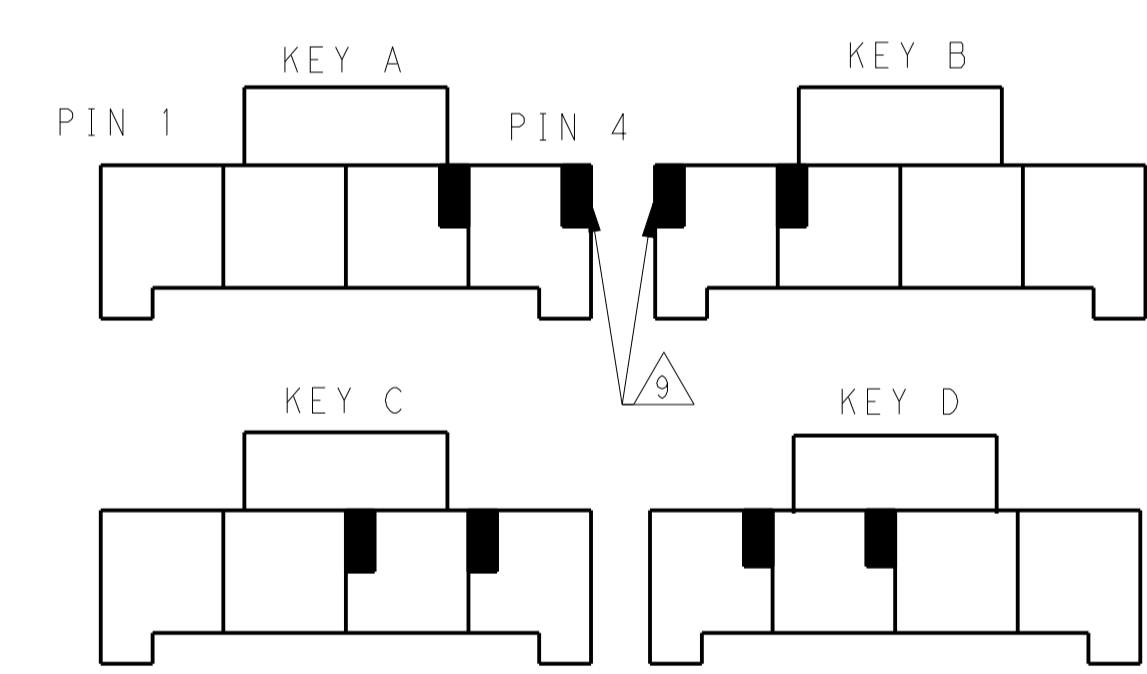
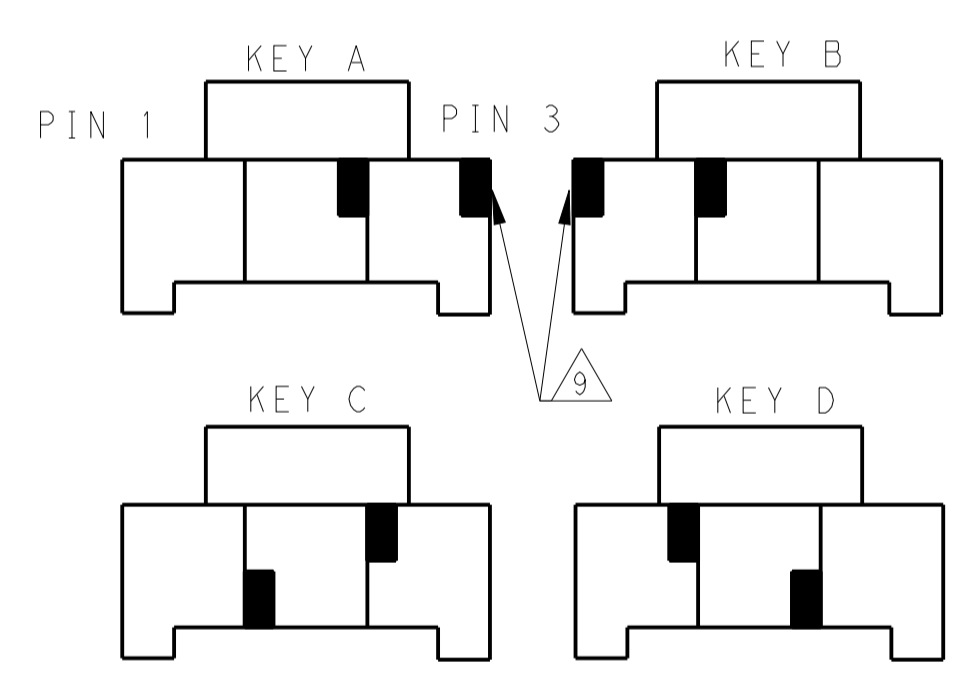
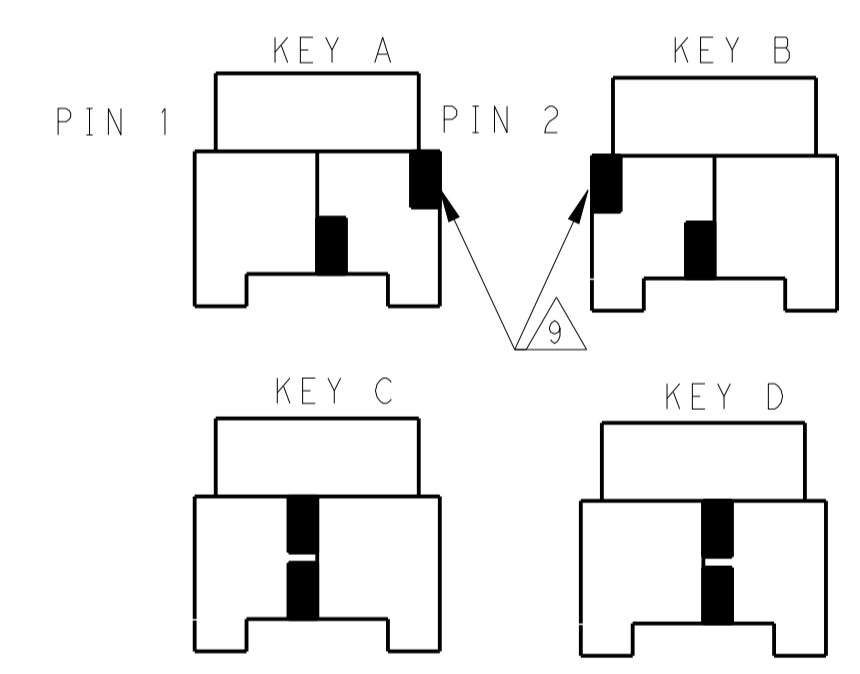


1*2 POSITIONS

1*3 POSITIONS

1*4 POSITIONS

1*5 POSITIONS



KEYING FOR 1*2 POS.

KEYING FOR 1*3 POS.

KEYING FOR 1*4 POS.

KEYING FOR 1*5 POS.

POS.	MATERIAL	KEY	P/N
1*3	LEVEL 1	KEY A	1-1971772-3
		KEY B	2-1971772-3
		KEY C	3-1971772-3
		KEY D	4-1971772-3
	LEVEL 2	KEY A	5-1971772-3
		KEY B	6-1971772-3
		KEY C	7-1971772-3
		KEY D	8-1971772-3
1*2	LEVEL 1	KEY A	1-1971772-2
		KEY B	2-1971772-2
		KEY C	3-1971772-2
		KEY D	4-1971772-2
	LEVEL 2	KEY A	5-1971772-2
		KEY B	6-1971772-2
		KEY C	7-1971772-2
		KEY D	8-1971772-2

POS.	MATERIAL	KEY	P/N
1*4	LEVEL 1	KEY A	1-1971772-4
		KEY B	2-1971772-4
		KEY C	3-1971772-4
		KEY D	4-1971772-4
	LEVEL 2	KEY A	5-1971772-4
		KEY B	6-1971772-4
		KEY C	7-1971772-4
		KEY D	8-1971772-4
1*5	LEVEL 1	KEY A	1-1971772-7
		KEY B	2-1971772-7
		KEY C	3-1971772-7
		KEY D	4-1971772-7
	LEVEL 2	KEY A	5-1971772-7
		KEY B	6-1971772-7
		KEY C	7-1971772-7
		KEY D	8-1971772-7

THIS DRAWING IS A CONTROLLED DOCUMENT.

OWN: TOMMY_WU 06JUL2012
 CHN: HAPYE_WU 06JUL2012
 APVD: YUZHONG_MAO 06JUL2012

TE Connectivity

NAME: CAP HOUSING, PANEL MOUNT, SINGLE ROW POWER TRIPLE LOCK

PRODUCT SPEC: 108-106118
 APPLICATION SPEC: 114-106118

SIZE: A100779
 CAGE CODE: C=1971772
 DRAWING NO: 108-106118

SCALE: 1:1 SHEET 2 OF 2 REV F