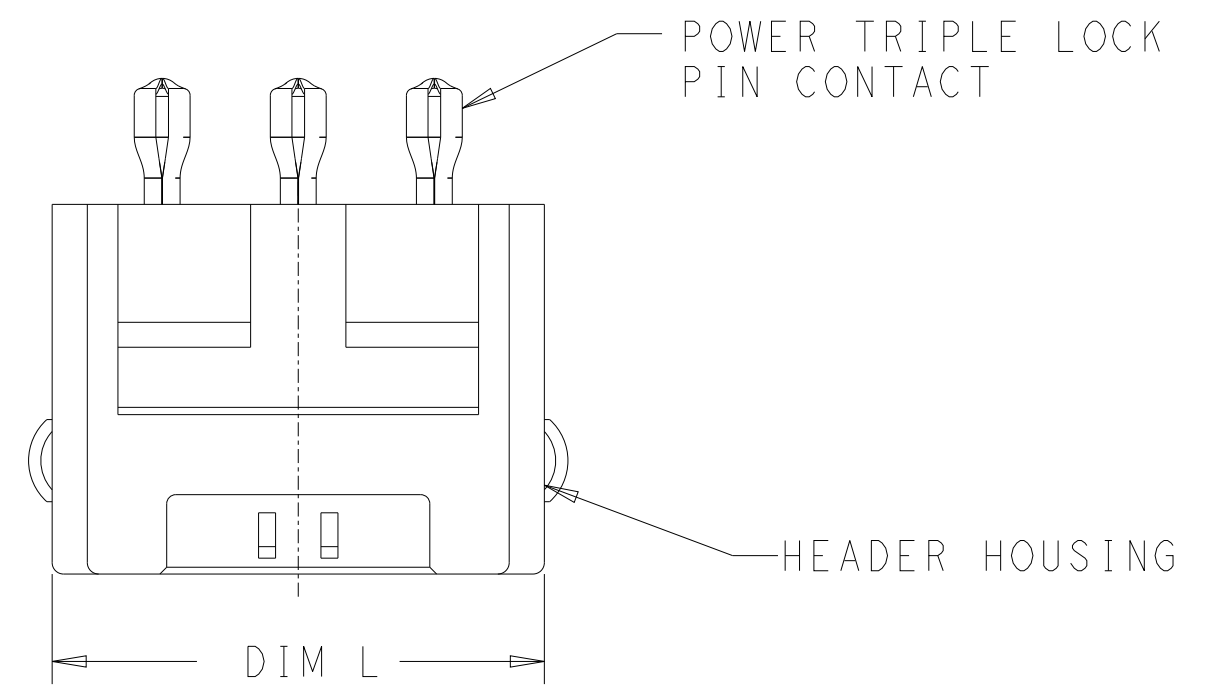
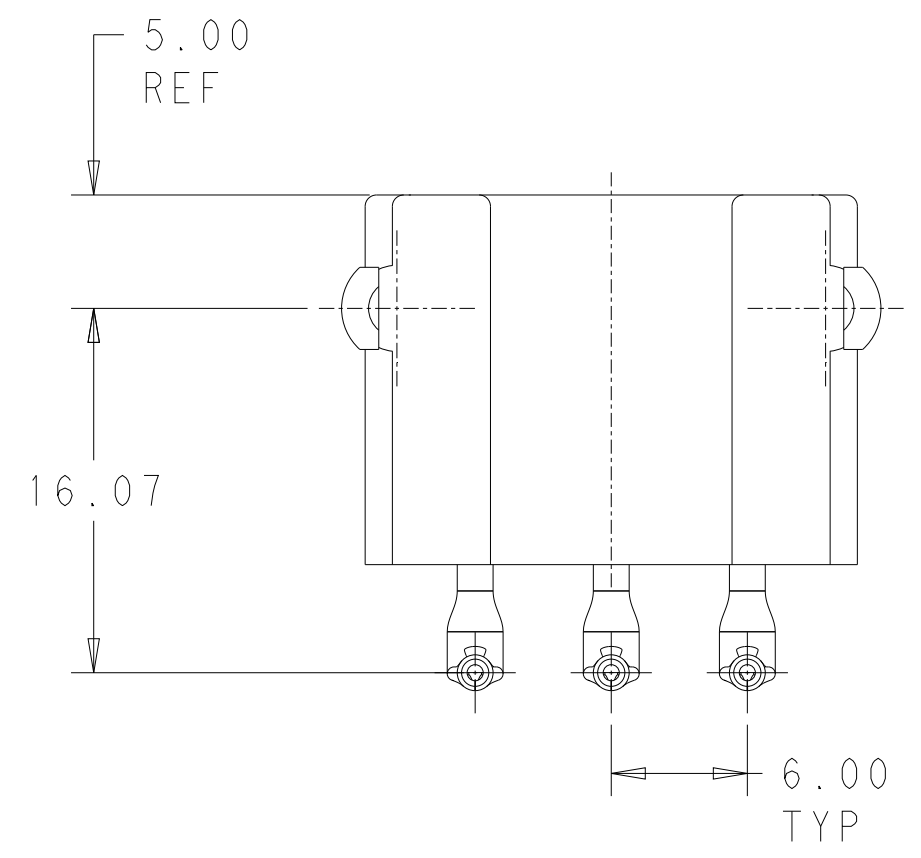
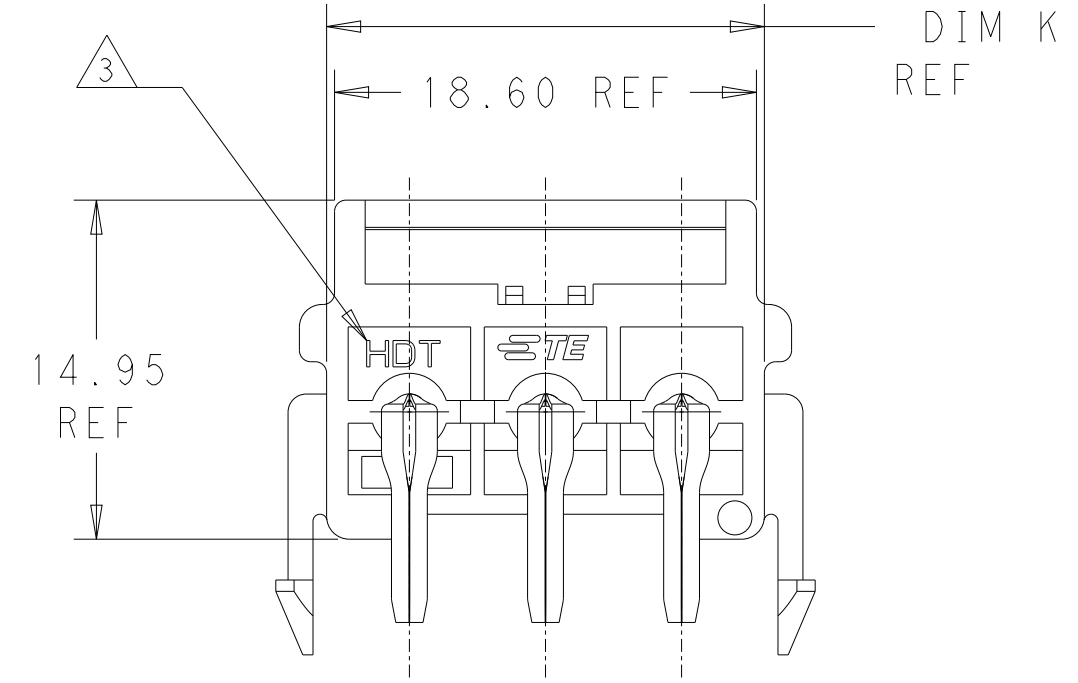
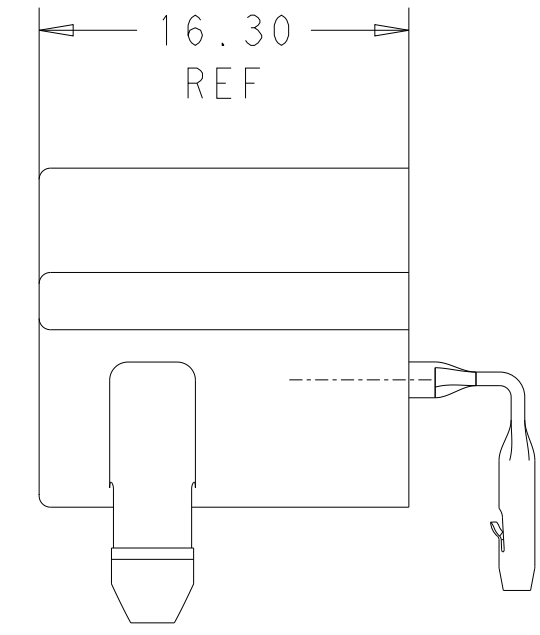
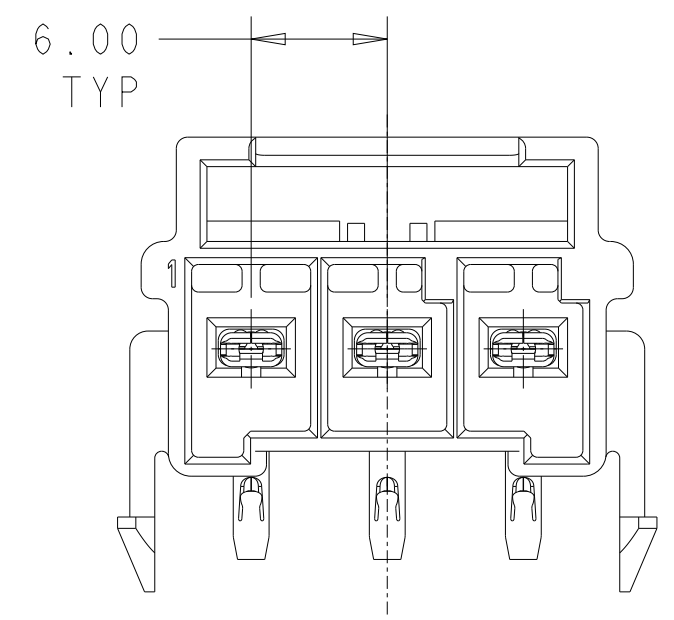


THIS DRAWING IS UNPUBLISHED. RELEASED FOR PUBLICATION
 © COPYRIGHT copyright.d8te- ALL RIGHTS RESERVED.

REVISIONS				
P	LTR	DESCRIPTION	DATE	APVD
A3		REVISED PER ECR-19-009923	03JUL2019	BKW DS
B		REVISED PER ECR-19-014974	30OCT2019	PC DS
B1		REVISED PER ECR-21-106749	07JUL2021	JP VS



- 1 CAN BE SECURED TO THE PLUG WITH OPTIONAL CPA P/N 1971789-1.
- 2 FLAMMABILITY RATED PER UL 94 V-0.
- 3 LEVEL INDICATOR: PBT = STANDARD TEMP/105°C PBT GLASS FILLED
HDT = HIGH TEMP 150°C NYLON PA66 UNFILLED
- 4 PARTS COMPLY WITH SOLDERABILITY SPEC TEC-109-11-11-1
- 5 DATUM AND BASIC DIMENSION ESTABLISHED BY CUSTOMER.
- 6 THIS PRODUCT HAS NOT COMPLETED VALIDATION TESTING.
- 7 GLOW WIRE COMPLIANT IN ACCORDANCE WITH IEC 60335-1. THIS IS BASED ON THE PRODUCT MEETING A GWEPT 850°C TEST AND A RESIN GWIT GREATER THAN OR EQUAL TO 775°C.



MATING PLUG	CONTACT MATERIAL	HOUSING MATERIAL	NO. OF POSITIONS	DIM H	DIM P	DIM L	DIM K	COLOR	KEY	PART NUMBER
6-1971773-3	COPPER ALLOY	NYLON PA66 150°C	3	18.55	15.28	21.7	19.3	RED	B	2-1969694-3
5-1971773-7			5	30.55	27.28	33.7	31.3	LIGHT GREY	A	1-1969694-5
5-1971773-4			4	24.55	21.28	27.7	25.3	LIGHT GREY	A	1-1969694-4
5-1971773-3			3	18.55	15.28	21.7	19.3	LIGHT GREY	A	1-1969694-3
5-1971773-2			2	12.55	9.28	15.7	13.3	LIGHT GREY	A	1-1969694-2
1-1971773-7	COPPER ALLOY	PBT 105°C	5	30.55	27.28	33.7	31.3	NATURAL	A	1969694-5
1-1971773-4			4	24.55	21.28	27.7	25.3	NATURAL	A	1969694-4
1-1971773-3			3	18.55	15.28	21.7	19.3	NATURAL	A	1969694-3
1-1971773-2			2	12.55	9.28	15.7	13.3	NATURAL	A	1969694-2

SEE SHEET 2 FOR PCB HOLE PATTERN

THIS DRAWING IS A CONTROLLED DOCUMENT.

DIMENSIONS: mm	TOLERANCES UNLESS OTHERWISE SPECIFIED:	DWN: JR RUTH 07-Jul-21	TE Connectivity
0 PLC ±	1 PLC ±	CHK: DOMINIC FAROLE 19SEPT14	
2 PLC ±0.13	3 PLC ±0.20	APVD: DOMINIC FAROLE 19SEPT14	
4 PLC ±	ANGLES ±	PRODUCT SPEC: 108-32090	
MATERIAL: SEE TABLE	FINISH: PRE-TIN	APPLICATION SPEC: 114-32136	NAME: ASSEMBLY, POWER TRIPLE LOCK, RIGHT ANGLE HEADER
		WEIGHT: -	SIZE: A2
		CUSTOMER DRAWING	SCALE: 3:1

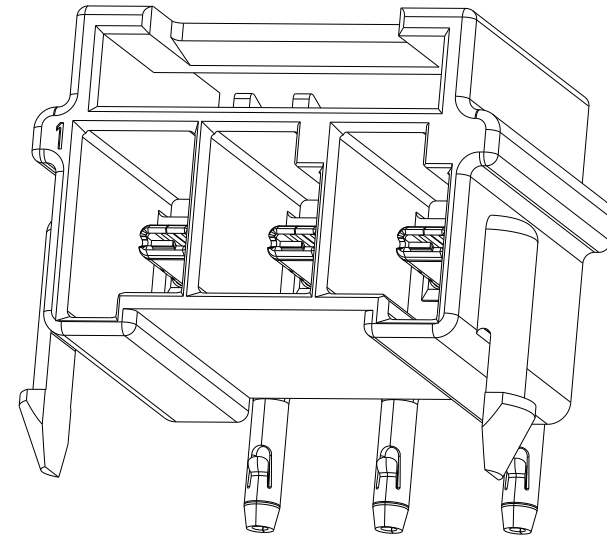
RESTRICTED TO: -

SHEET 1 OF 2 REV B1

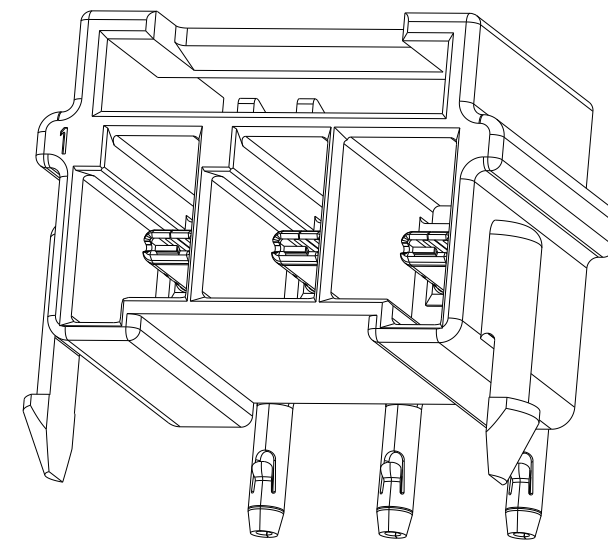
THIS DRAWING IS UNPUBLISHED. RELEASED FOR PUBLICATION
 © COPYRIGHT copyright.d8te- ALL RIGHTS RESERVED.

REVISIONS				
P	LTR	DESCRIPTION	DATE	APVD
-	-	SEE SHEET 1	-	-

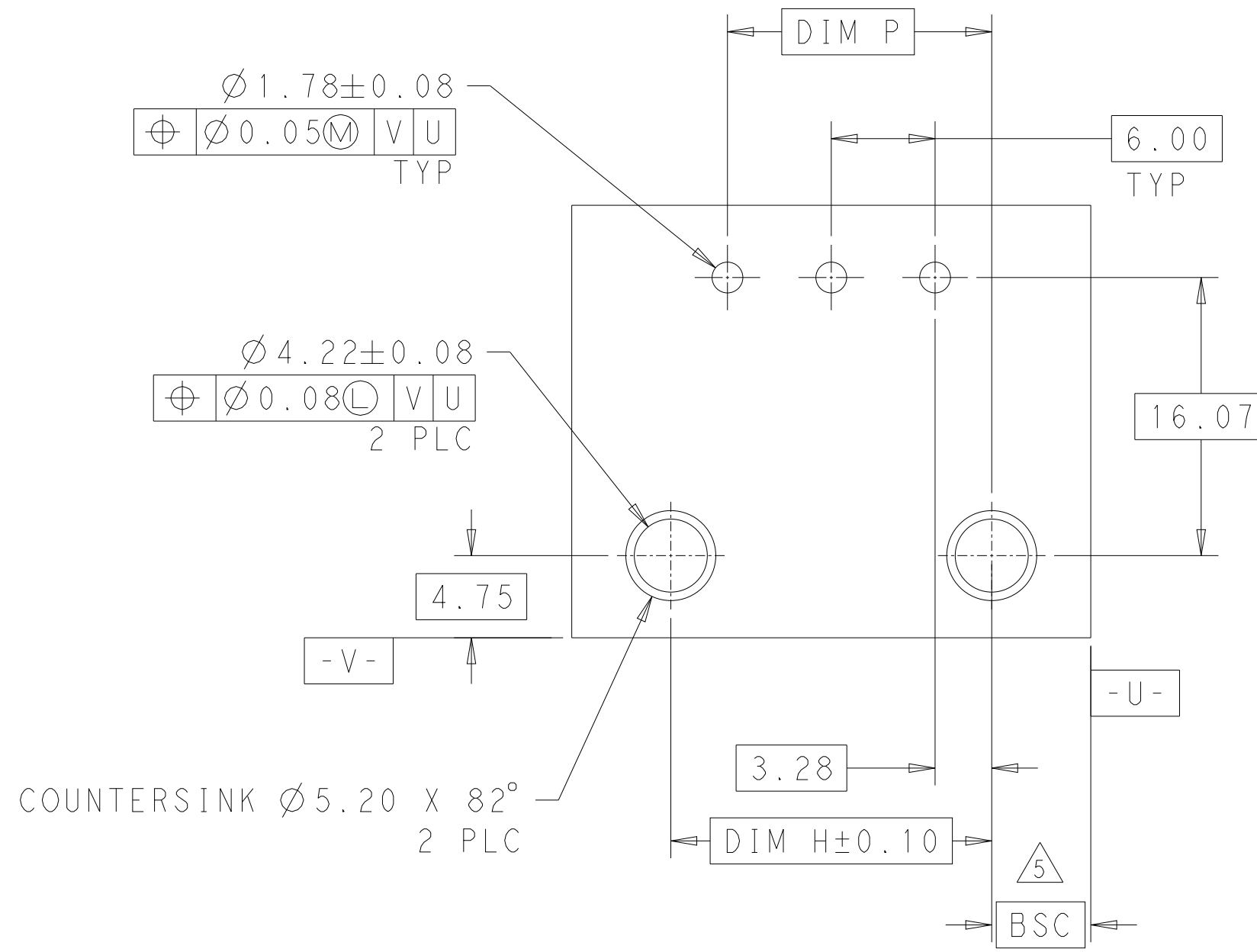
1*3 POSITION



KEY A SHOWN



KEY B SHOWN



RECOMMENDED PCB LAYOUT
WITH A 1.58 THK BOARD

3 POSITION SHOWN

THIS DRAWING IS A CONTROLLED DOCUMENT.		DWN JR RUTH 07-Jul-21	TE Connectivity															
DIMENSIONS: mm		CHK DOMINIC FAROLE 19SEPT14																
TOLERANCES UNLESS OTHERWISE SPECIFIED:		APVD DOMINIC FAROLE 19SEPT14	NAME ASSEMBLY, POWER TRIPLE LOCK, RIGHT ANGLE HEADER															
<table border="0"> <tr> <td>0 PLC</td> <td>±</td> </tr> <tr> <td>1 PLC</td> <td>±</td> </tr> <tr> <td>2 PLC</td> <td>±0.13</td> </tr> <tr> <td>3 PLC</td> <td>±0.20</td> </tr> <tr> <td>4 PLC</td> <td>±</td> </tr> <tr> <td>ANGLES</td> <td>±</td> </tr> <tr> <td>FINISH</td> <td></td> </tr> </table>		0 PLC	±	1 PLC	±	2 PLC	±0.13	3 PLC	±0.20	4 PLC	±	ANGLES	±	FINISH		PRODUCT SPEC 108-32090	SIZE A2	
0 PLC	±																	
1 PLC	±																	
2 PLC	±0.13																	
3 PLC	±0.20																	
4 PLC	±																	
ANGLES	±																	
FINISH																		
MATERIAL SEE TABLE	PRE-TIN	APPLICATION SPEC -	CAGE CODE -	DRAWING NO C-1969694														
-		WEIGHT -	RESTRICTED TO -	SCALE 3:1														
-		CUSTOMER DRAWING	SHEET 2 OF 2	REV B1														