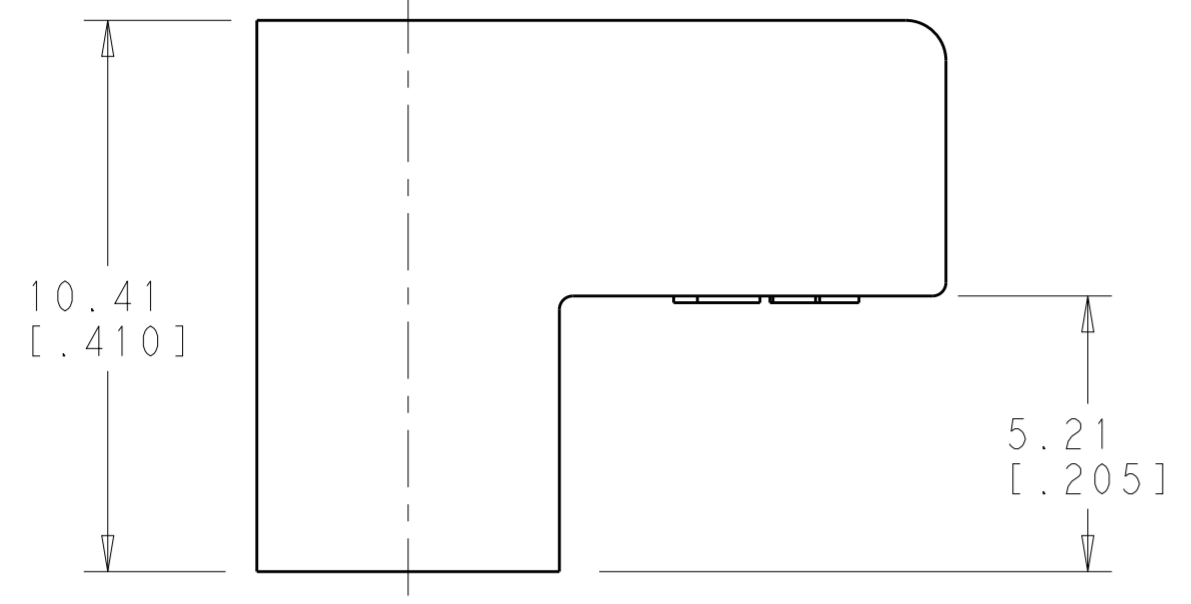
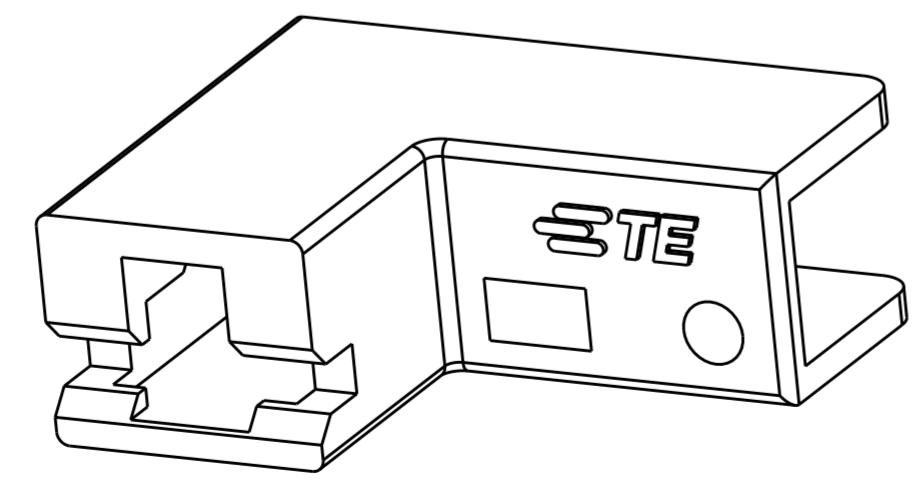
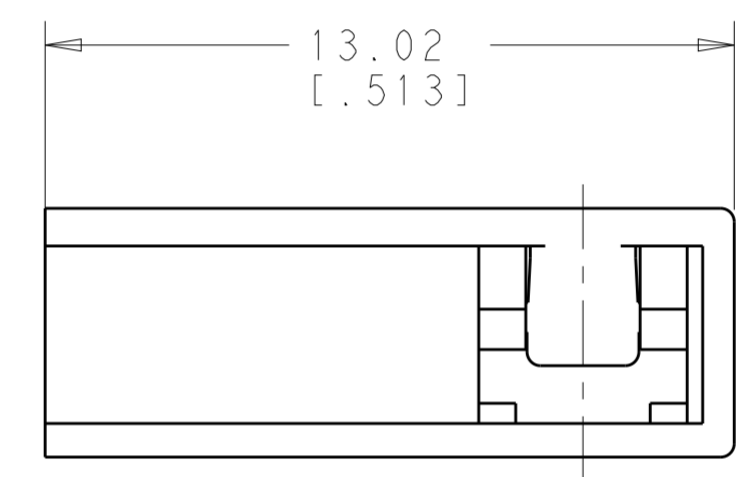
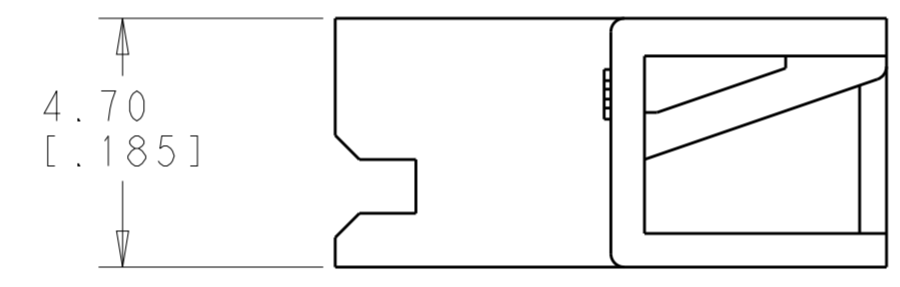
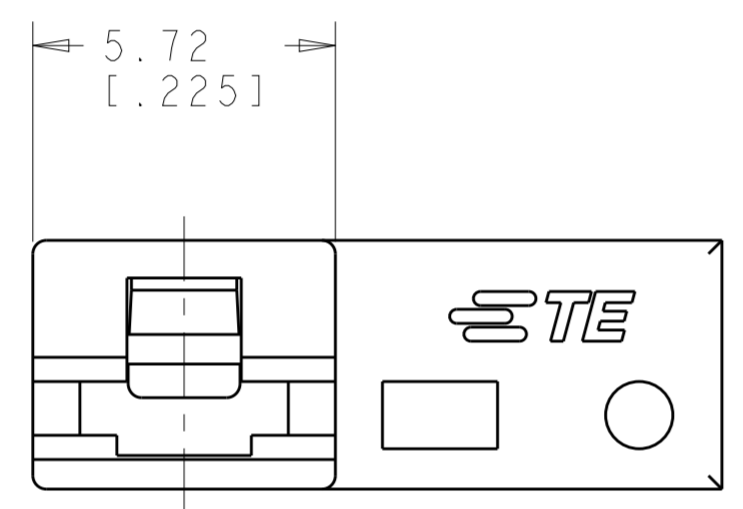


THIS DRAWING IS UNPUBLISHED. RELEASED FOR PUBLICATION 20
 © COPYRIGHT 20 BY - ALL RIGHTS RESERVED.

LOC	DIST	REVISIONS					
AF	50	P	LTR	DESCRIPTION	DATE	DWN	APVD
		2		CORRECTED FILE NAME	06SEP13	JR	PD



1 HOUSING ACCEPTS TERMINAL 1742968-1
 2 PRELIMINARY - NOT FOR PRODUCTION



1969653-1
 PART NO.

THIS DRAWING IS A CONTROLLED DOCUMENT.		DWN	JR RUTH	29AUG2013	TE Connectivity NAME HOUSING, RECEPTACLE, FLAG FASTON, 110 SERIES								
DIMENSIONS:		CHK	PETE DESANTIS	29AUG2013				SIZE	CAGE CODE	DRAWING NO	RESTRICTED TO		
mm [INCHES]		APVD	PETE DESANTIS	29AUG2013				A2	00779	C-1969653	-		
TOLERANCES UNLESS OTHERWISE SPECIFIED: 0 PLC ± 1 PLC ± 2 PLC ±0.25 [.010] 3 PLC ± 4 PLC ± ANGLES ±1 FINISH		PRODUCT SPEC	-	WEIGHT				-	SCALE	4:1	SHEET	1	OF
MATERIAL		NYLON, V2		Customer Drawing									