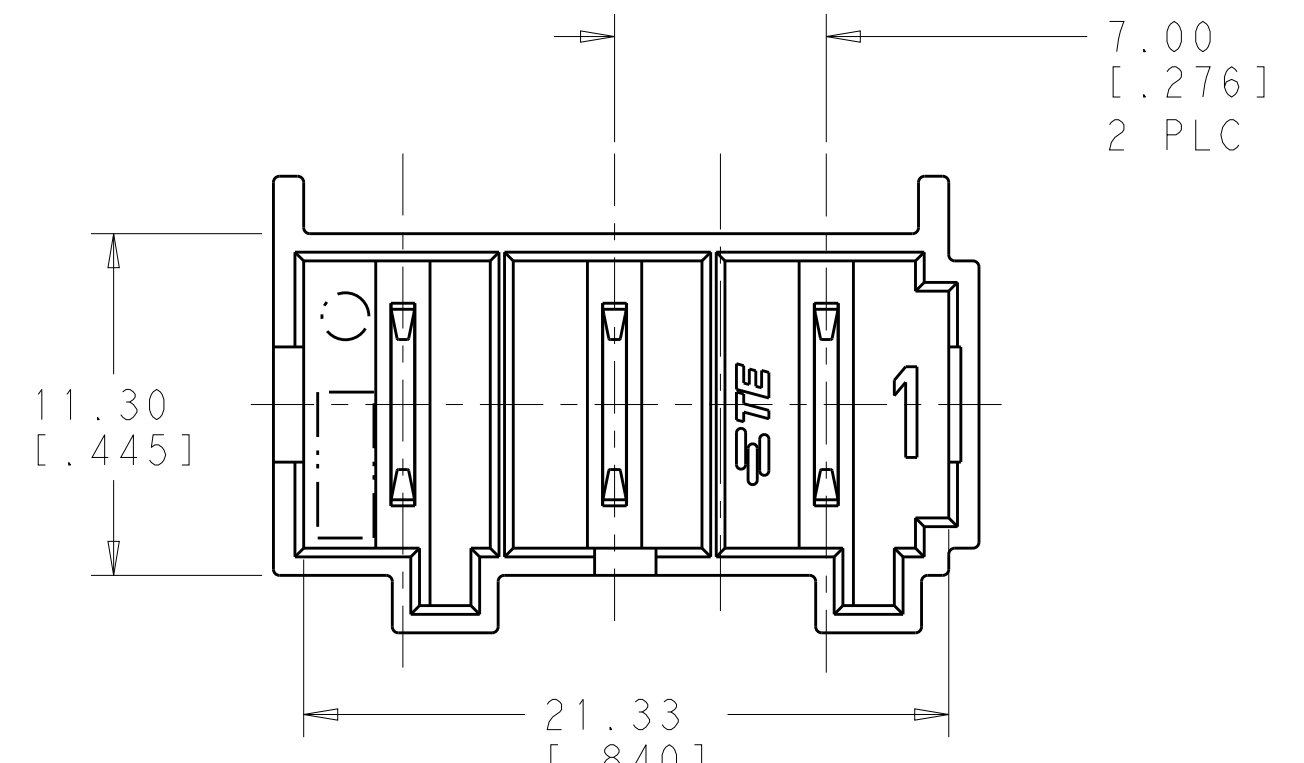
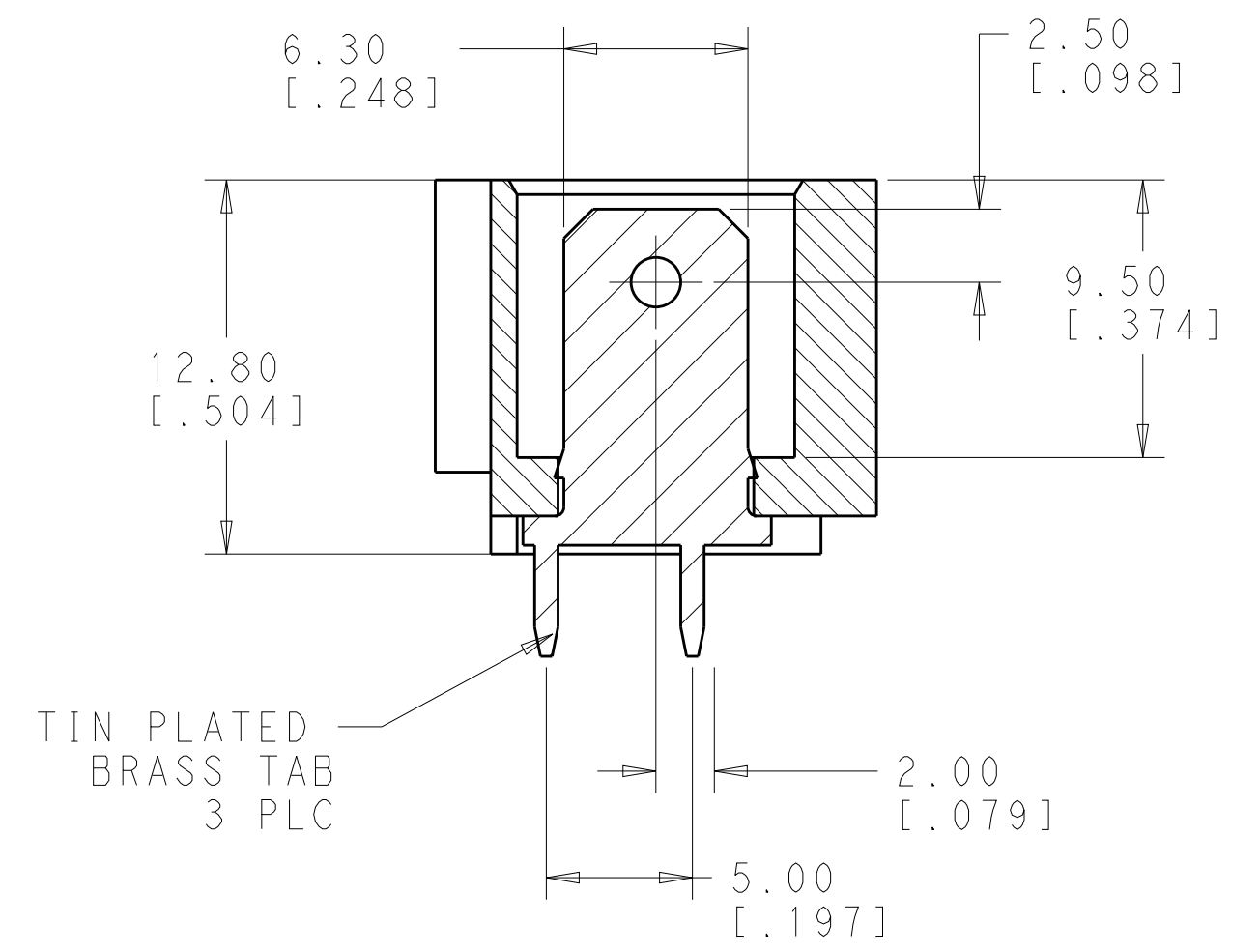


THIS DRAWING IS UNPUBLISHED. RELEASED FOR PUBLICATION 20
 © COPYRIGHT 20 BY - ALL RIGHTS RESERVED.

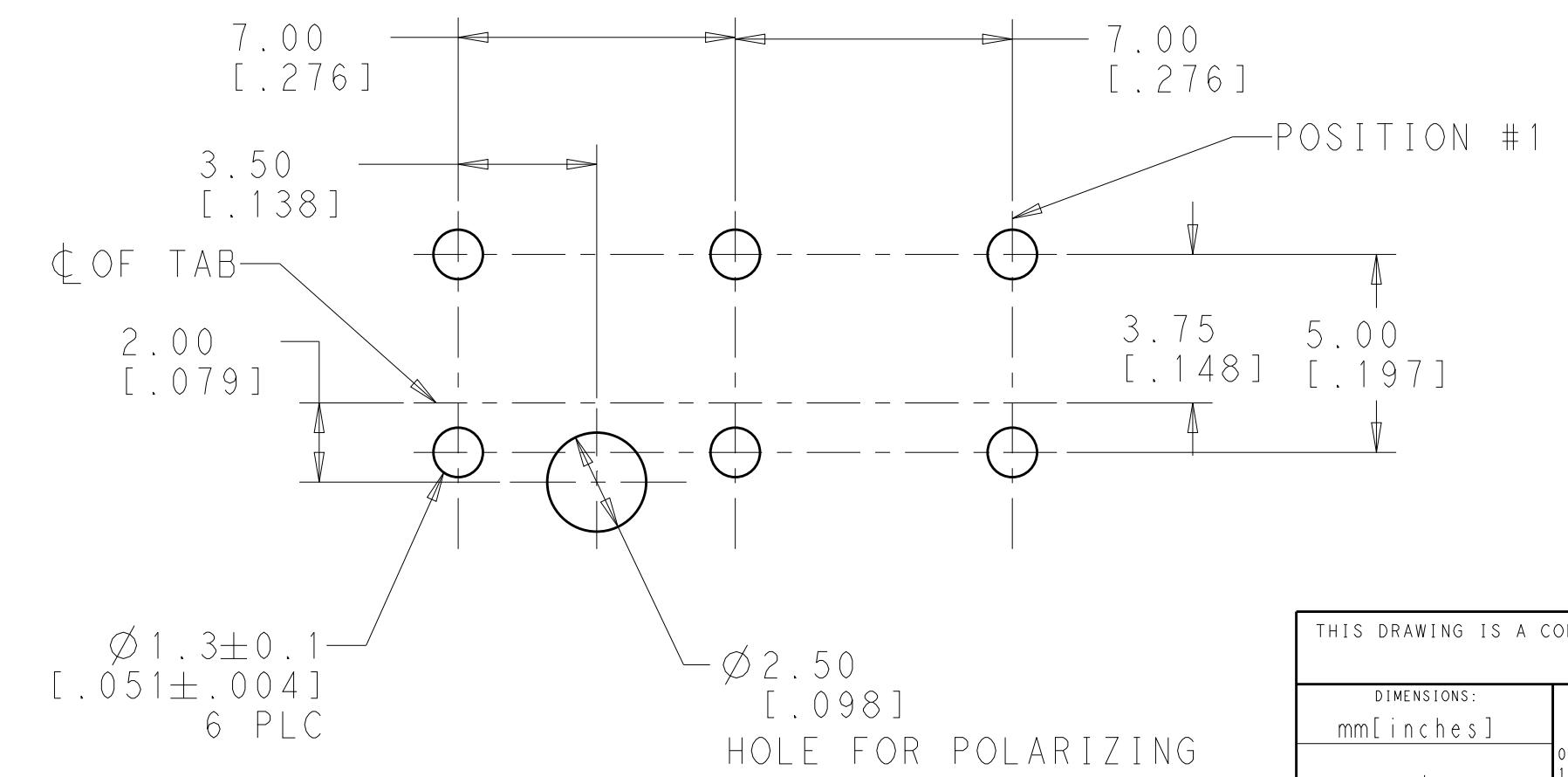
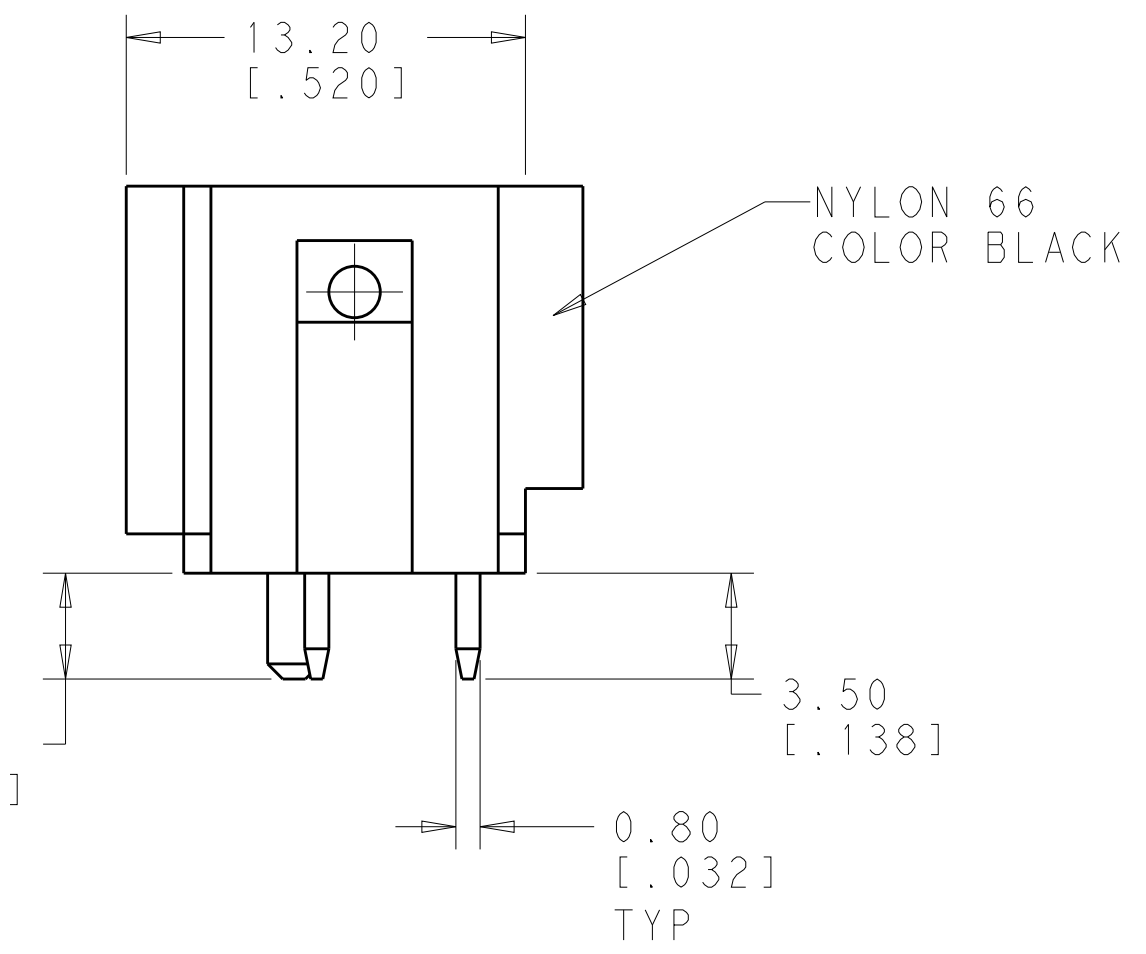
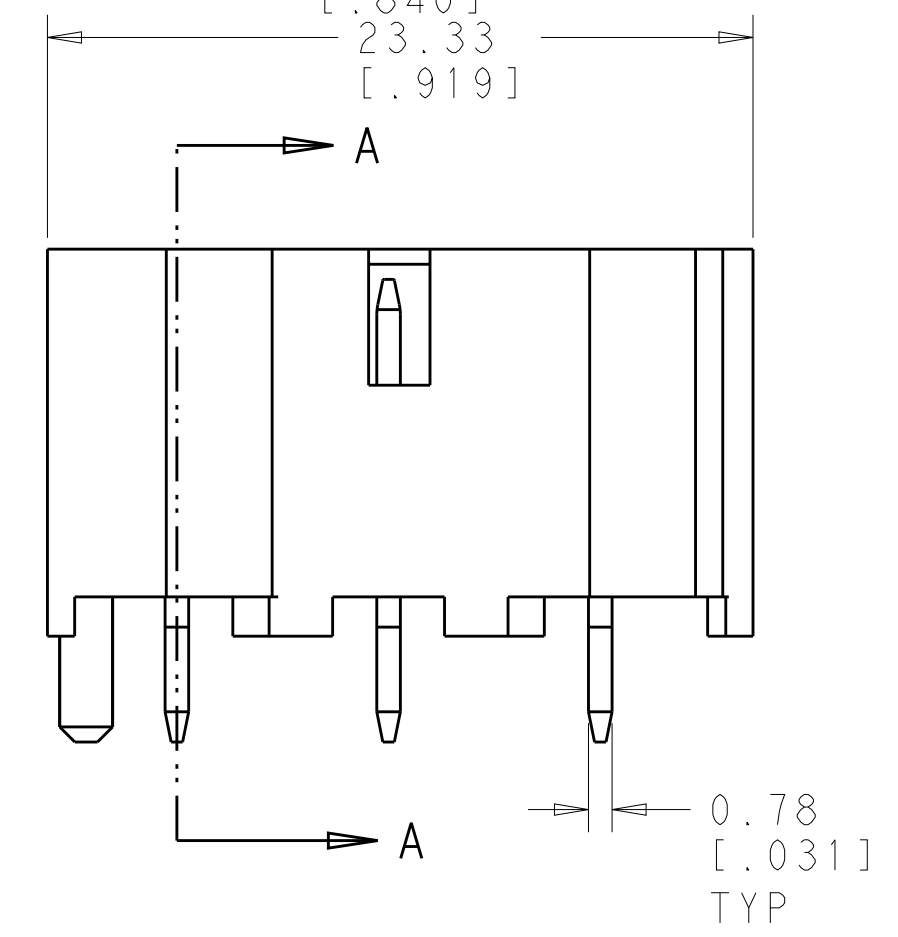
LOC		DIST		REVISIONS			
P	LTR	DESCRIPTION	DATE	DWN	APVD		
AF	58						
	6	REVISED	17APR13	JR	JH		



1 MATES WITH POSITIVE-LOCK HOUSING 1969461-2
 ⚠ PRELIMINARY - NOT FOR PRODUCTION

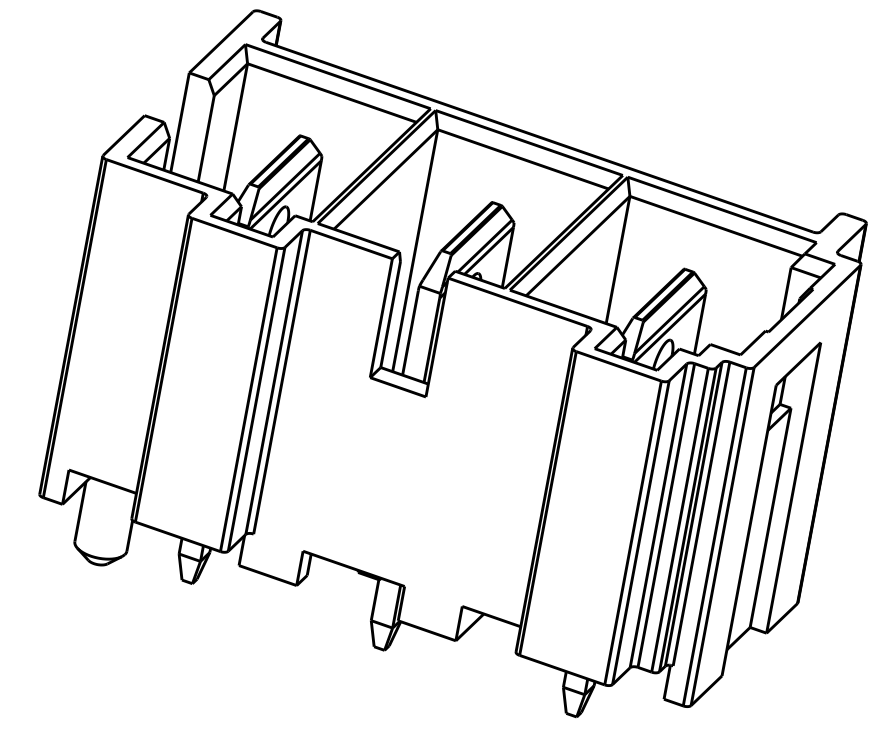


TIN PLATED BRASS TAB
3 PLC



∅ 1.3 ± 0.1
[.051 ± .004]
6 PLC

PCB LAYOUT
PCB 1.5 ± 0.2 THICK



⚠ 1969477-1
PART NO.

THIS DRAWING IS A CONTROLLED DOCUMENT.		DWN JR RUTH 29AUG2011	TE Connectivity	NAME		
DIMENSIONS: mm[inches]		CHK J HUMMEL 29AUG2011		ASSEMBLY, TAB HEADER, 7MM SILO POWER CORD, 6.35 SERIES, 3 POS		
TOLERANCES UNLESS OTHERWISE SPECIFIED:		APVD J HUMMEL 29AUG2011		SIZE	CAGE CODE	DRAWING NO
0 PLC ±		PRODUCT SPEC		A200779	C-1969477	RESTRICTED TO
1 PLC ±0.5		APPLICATION SPEC	WEIGHT	SCALE 4:1	SHEET 1 OF 1	
2 PLC ±0.13			CUSTOMER DRAWING	REV 6		
3 PLC ±						
4 PLC ±						
ANGLES ±						
FINISH ±						