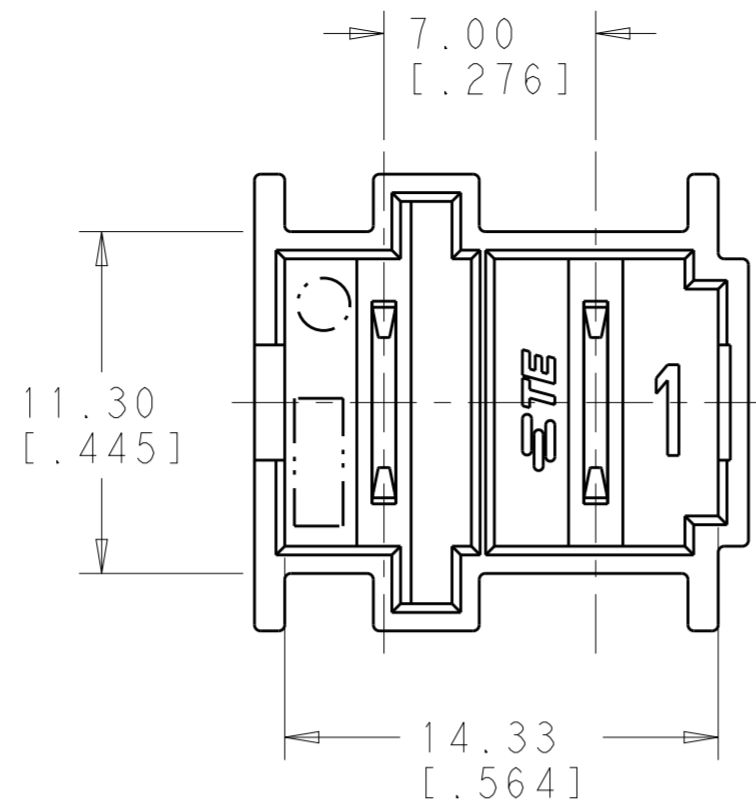


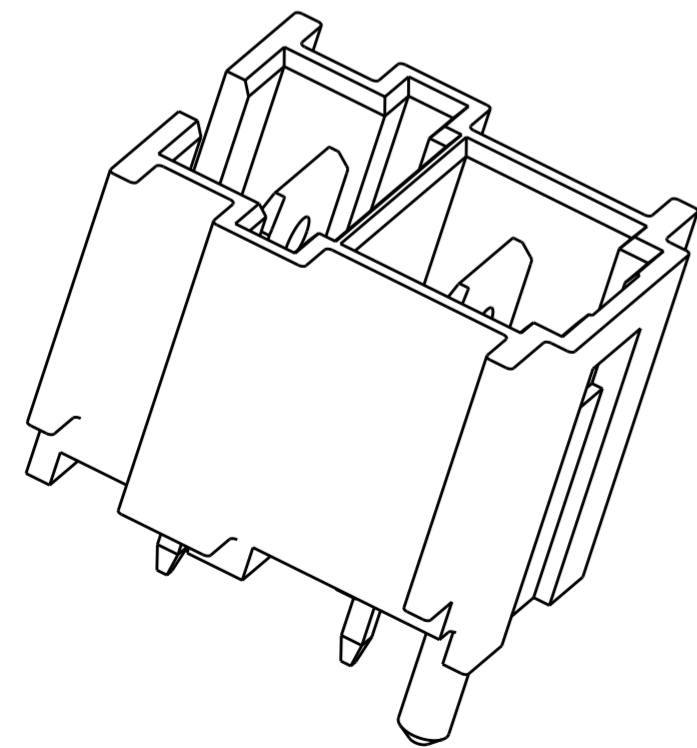
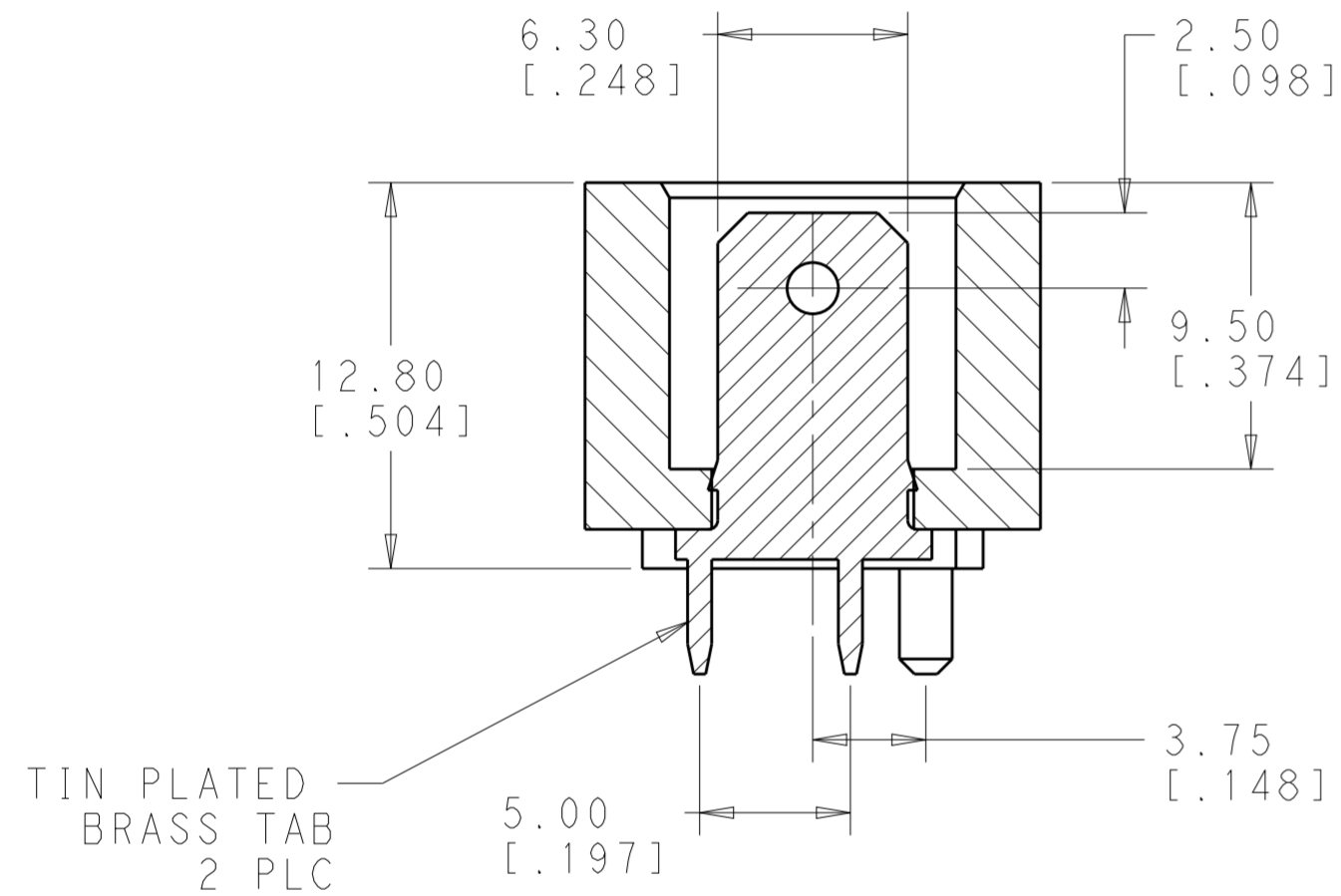
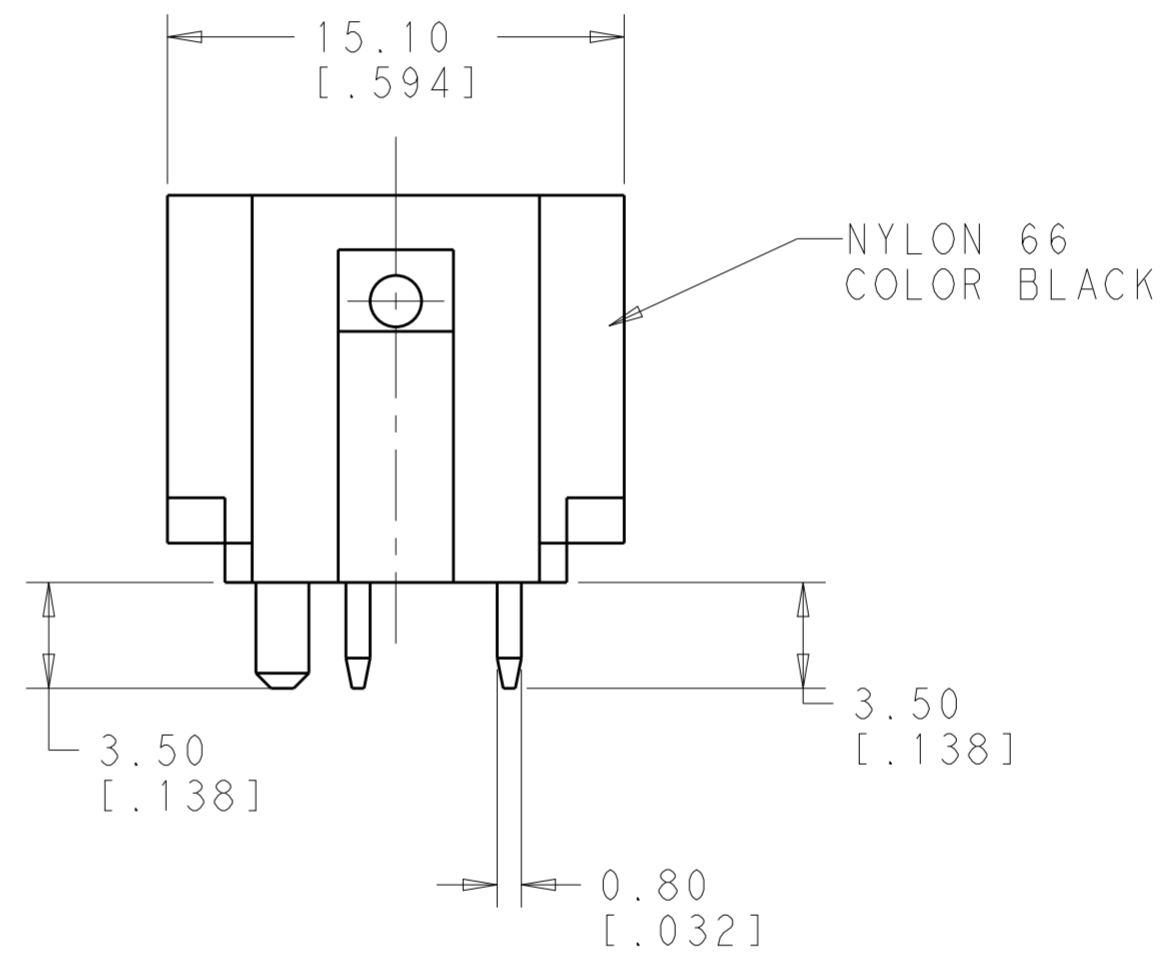
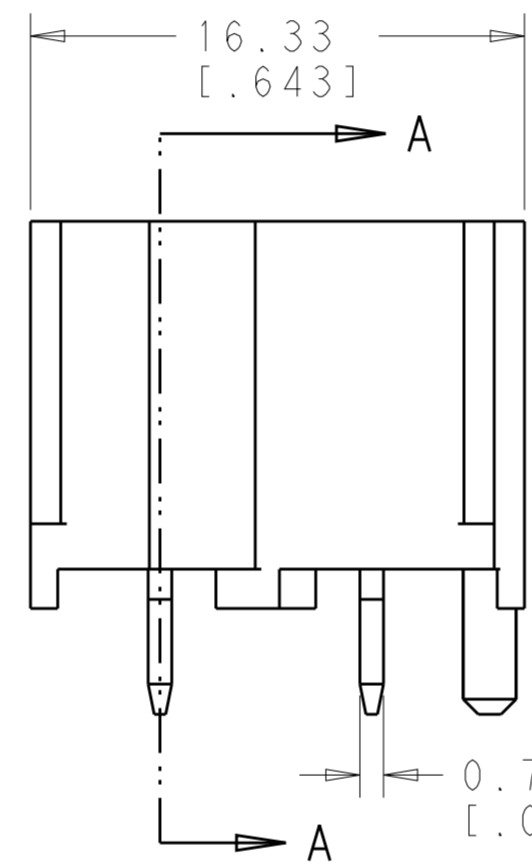
THIS DRAWING IS UNPUBLISHED. RELEASED FOR PUBLICATION 20
 © COPYRIGHT 20 BY - ALL RIGHTS RESERVED.

LOC		DIST		REVISIONS			
P	LTR	DESCRIPTION	DATE	DWN	APVD		
AF	58	6	REVISED	17APR13	JR	JH	

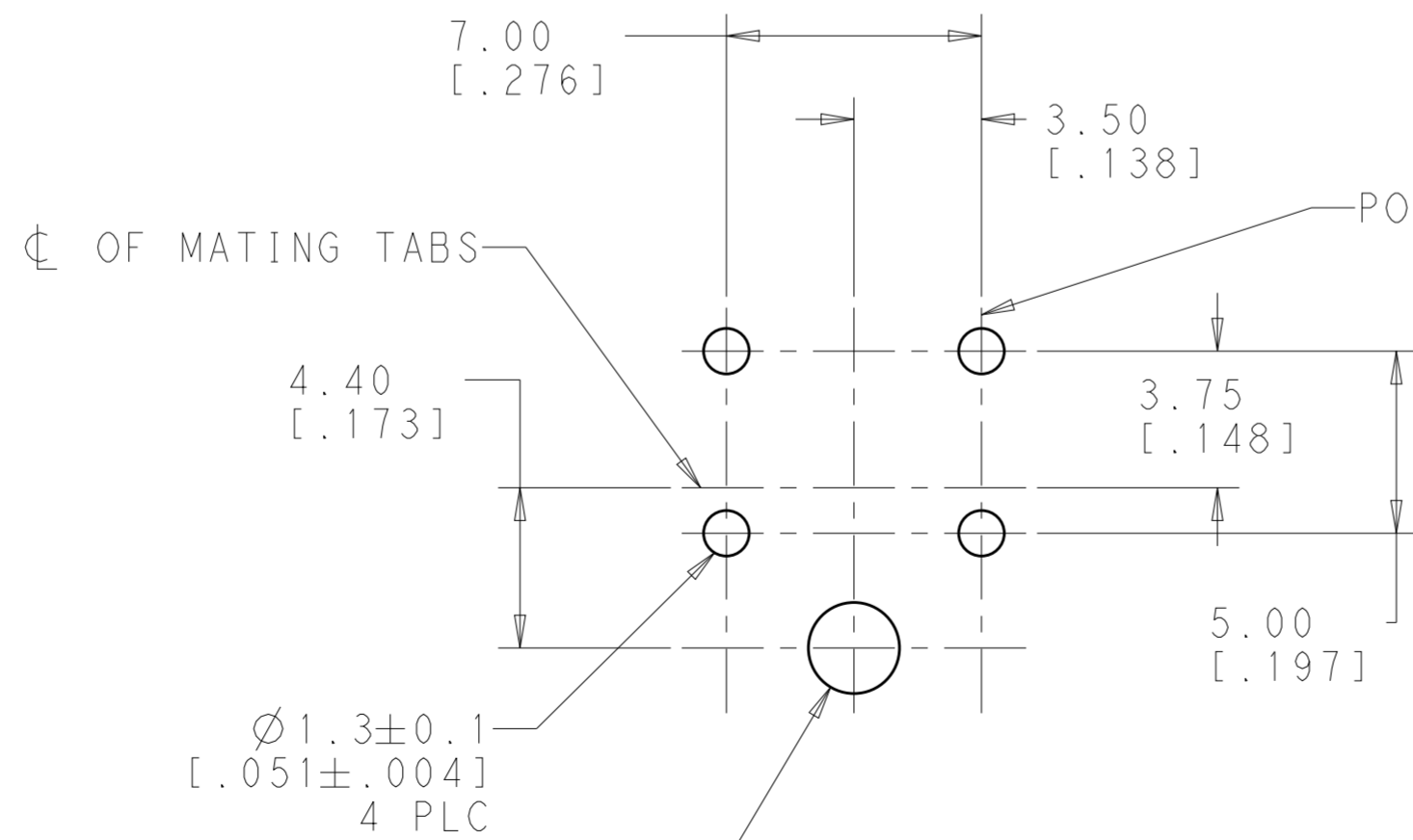


1 MATES WITH POSITIVE-LOCK HOUSING 1969458-4

△ PRELIMINARY - NOT FOR PRODUCTION



SECTION A-A



PCB LAYOUT
 PCB 1.5±0.2 THICK
 SCALE 5:1

△ 1969473-1
 PART NO.

THIS DRAWING IS A CONTROLLED DOCUMENT.		DWN JR RUTH 29AUG2011	TE Connectivity	
DIMENSIONS: mm[inches]		CHK J HUMMEL 29AUG2011		
TOLERANCES UNLESS OTHERWISE SPECIFIED:		APVD J HUMMEL 29AUG2011	NAME ASSEMBLY, TAB HEADER, 7MM SILO POWER CORD, 6.35 SERIES, 2 POS	
0 PLC ±	±	PRODUCT SPEC	SIZE CAGE CODE DRAWING NO RESTRICTED TO	
1 PLC ±0.5	±	APPLICATION SPEC	A200779 C-1969473	
2 PLC ±0.13	±	WEIGHT	SCALE 4:1 SHEET 1 OF 1 REV 6	
3 PLC ±	±	CUSTOMER DRAWING		
4 PLC ±	±			
ANGLES ±	±			
FINISH				