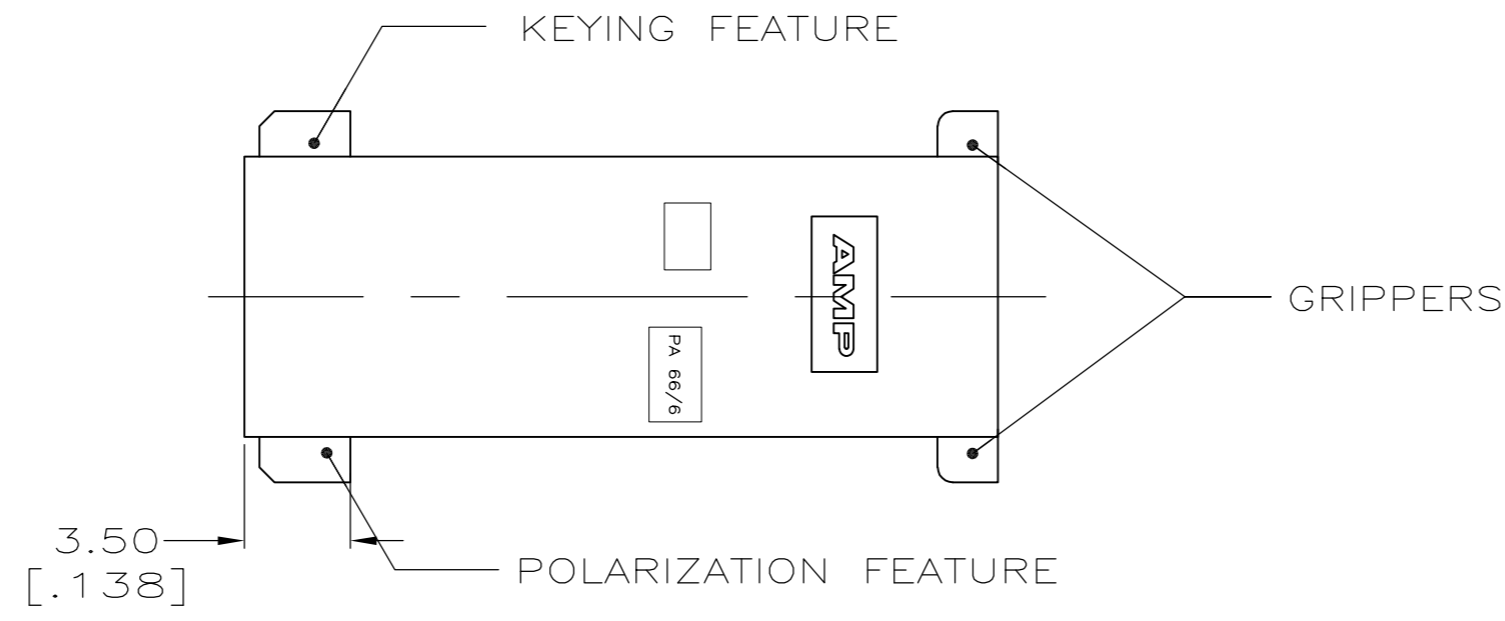
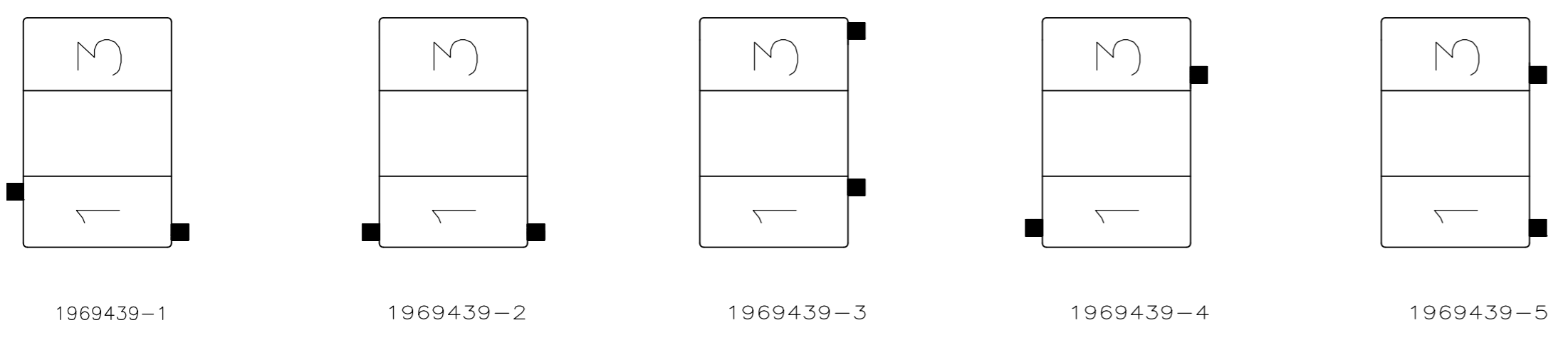
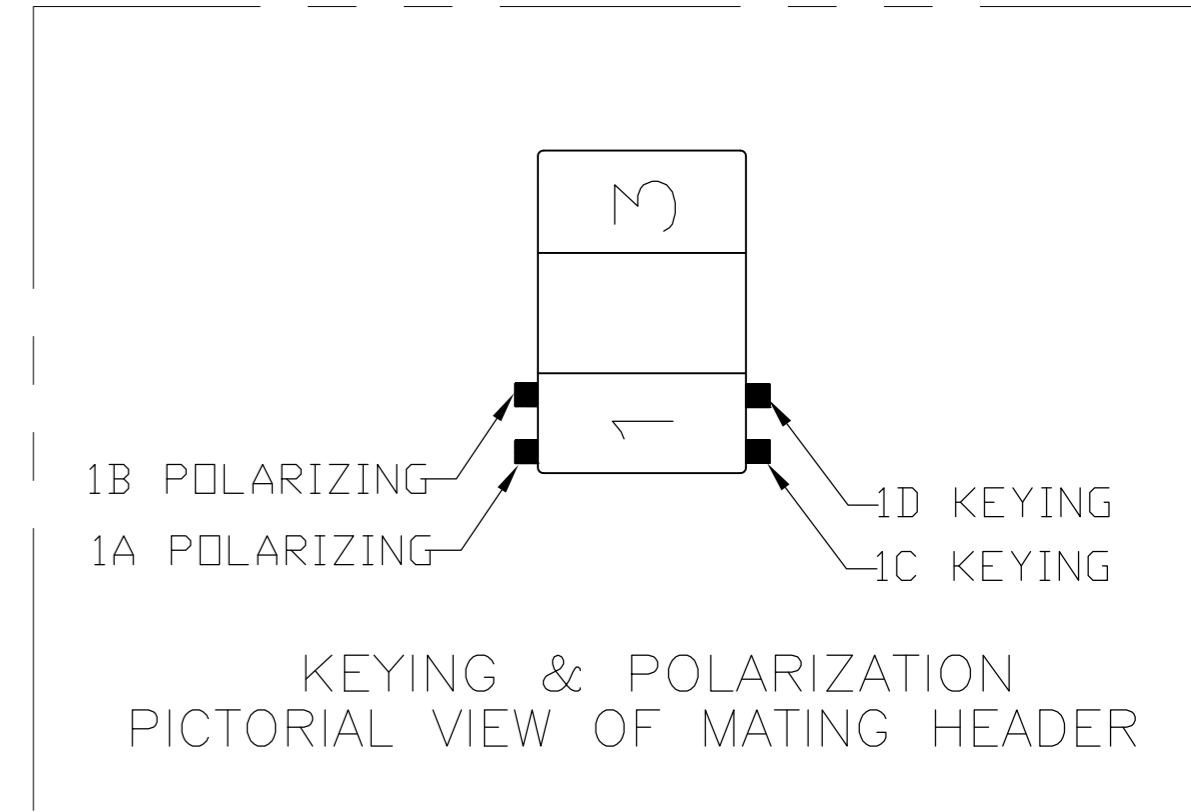
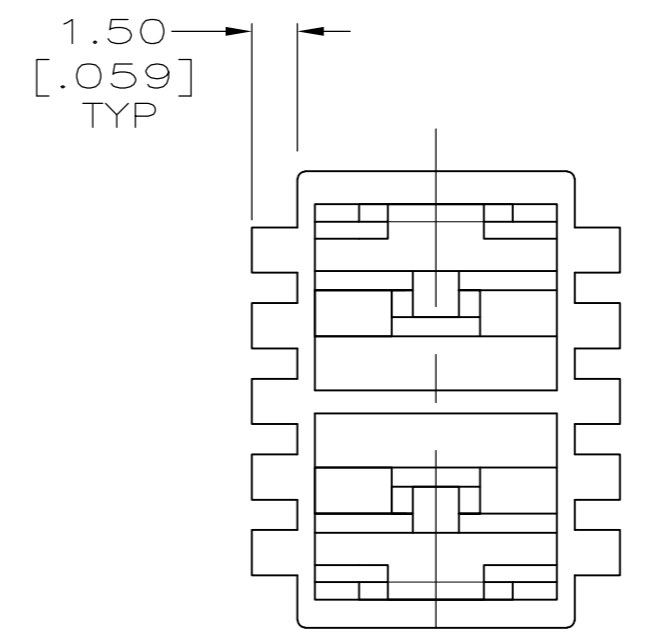
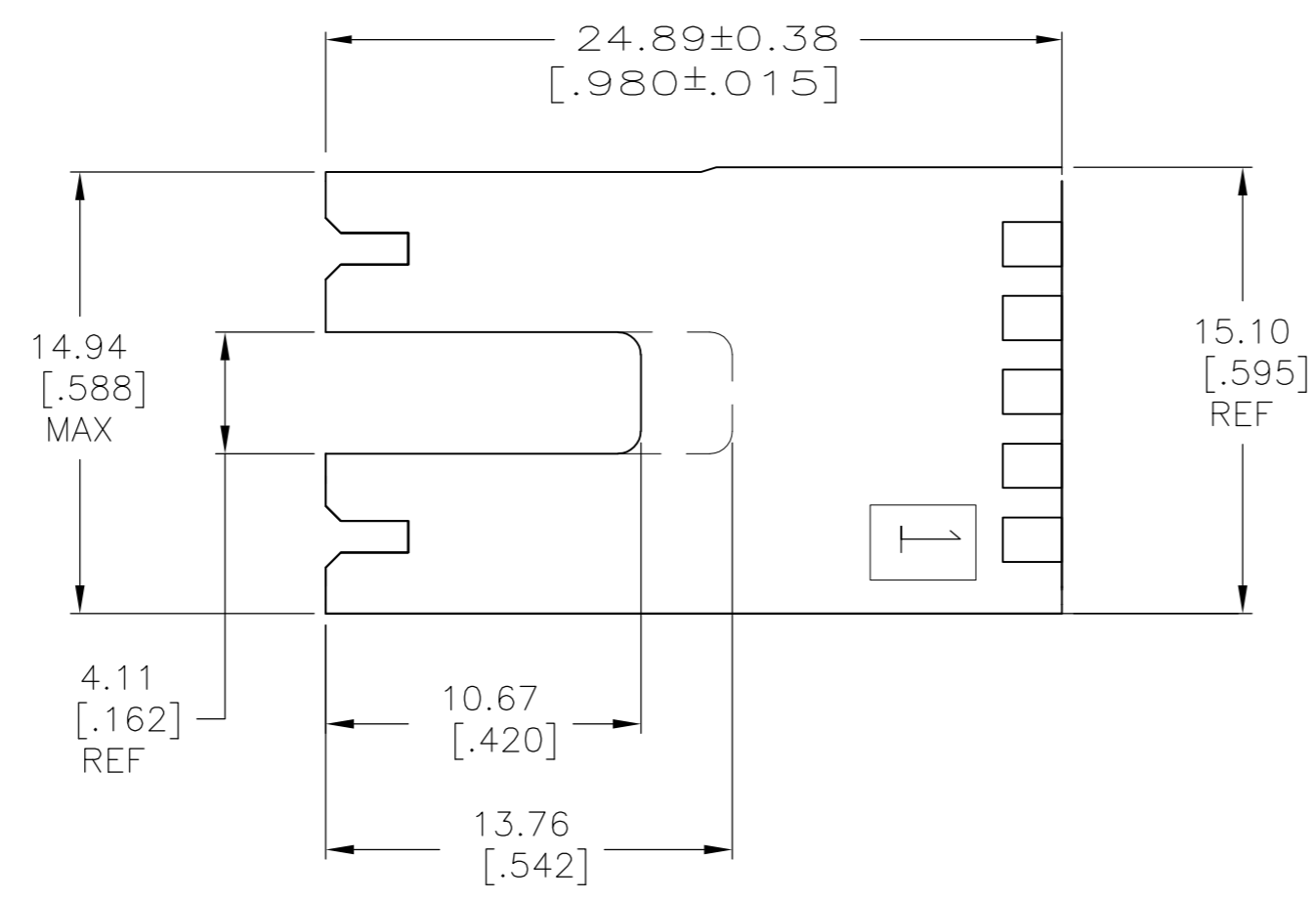
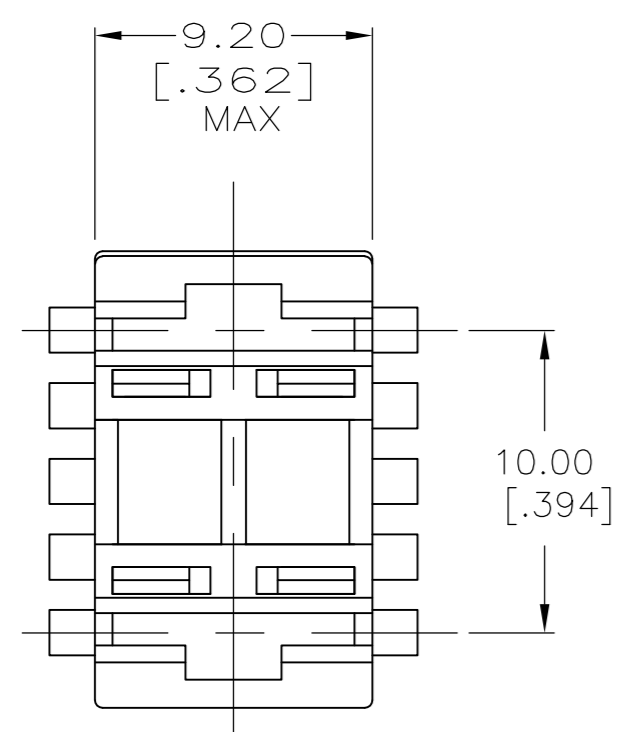


THIS DRAWING IS UNPUBLISHED. RELEASED FOR PUBLICATION
 © COPYRIGHT - By - ALL RIGHTS RESERVED.

LOC		DIST		REVISIONS			
P	LTR	DESCRIPTION	DATE	DWN	APVD		
AF	50						
	4	REVISED	31OCT11	JR	JH		



- ACCEPTS RECEPTACLE CONTACTS 1217378(#18-#22 AWG SINGLE WIRE), 1217094(#18-#14 AWG SINGLE WIRE) AND 1217095 (TWO #18'S OR TWO #16'S OR A #16+ #18 COMBINATION) OR CONTACT 1742630-X.
 - FRONT AND BACK VIEWS SHOW ONLY THE GRIPPERS. FOR KEYING AND POLARIZATION FEATURES, SEE SPECIAL PART NUMBER VIEWS.
- 3 PRELIMINARY - NOT FOR PRODUCTION



RAST5 DESIGNATION	FINISH/COLOR	KEYING FEATURE	POLARIZATION FEATURES	PART NO.
-	BLUE	1C, 3C	NONE	1969439-5
-	BLUE	3C	1A	1969439-4
-	BLUE	1D, 3D	NONE	1969439-3
-	BLUE	1C	1A	1969439-2
-	BLUE	1C	1B	1969439-1

THIS DRAWING IS A CONTROLLED DOCUMENT.

DIMENSIONS: mm [INCHES] TOLERANCES UNLESS OTHERWISE SPECIFIED:

0 PLC	± -
1 PLC	± -
2 PLC	± 0.25 [.010]
3 PLC	± -
4 PLC	± -
ANGLES	± -

MATERIAL: 6/66 NYLON FINISH: SEE TABLE

TE Connectivity
 HOUSING, RECEPT, POSITIVE-LOCK, MKIII, 6.35 [.250] SERIES, 2 POSITION

SIZE: A2 CAGE CODE: 00779 DRAWING NO: 1969439 RESTRICTED TO: -

CUSTOMER DRAWING SCALE: 4:1 SHEET: 1 OF 1 REV: 4