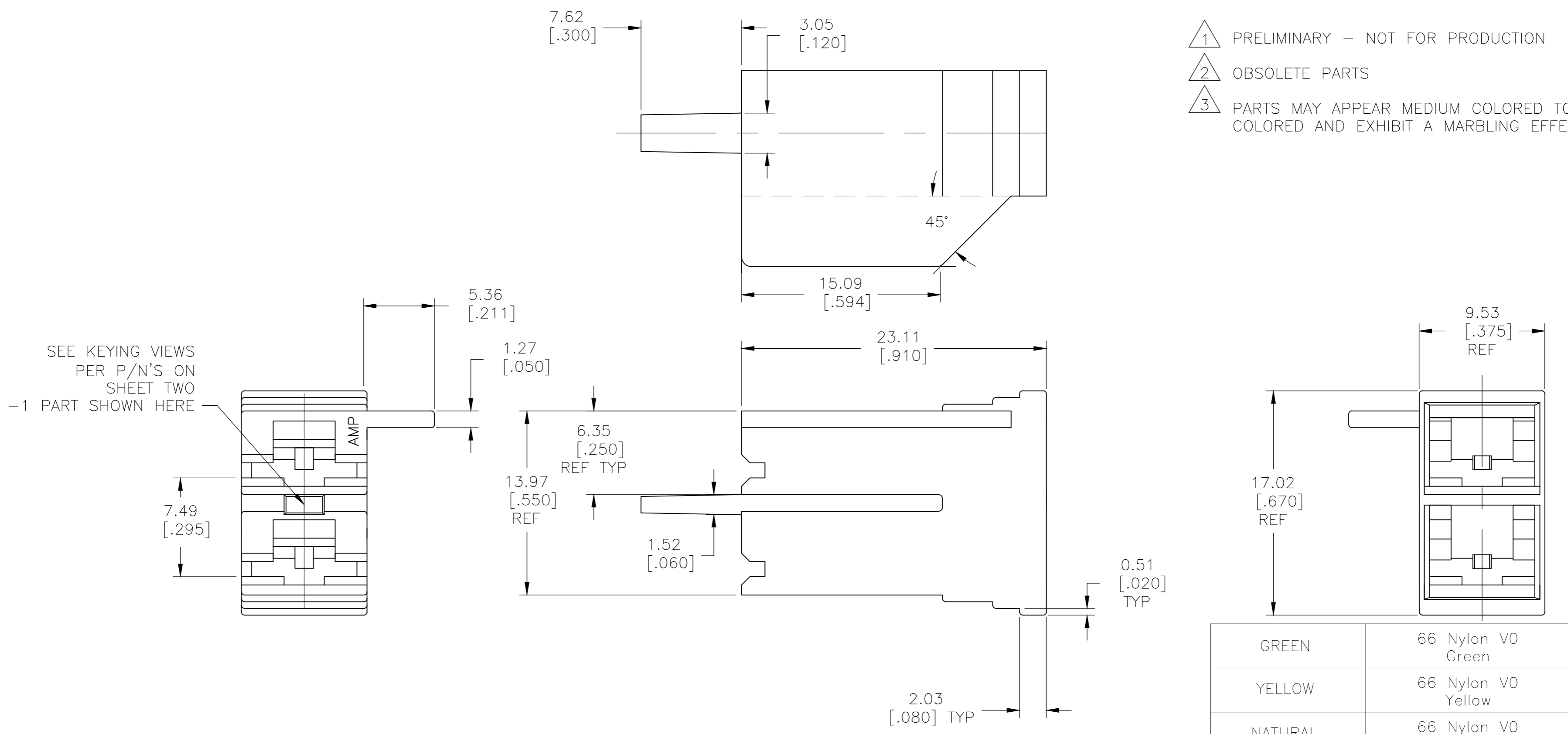


THIS DRAWING IS UNPUBLISHED. RELEASED FOR PUBLICATION
 © COPYRIGHT - TE Connectivity Ltd. ALL RIGHTS RESERVED.

REVISIONS					
P	LTR	DESCRIPTION	DATE	DWN	APVD
A8		REVISED PER ECR-18-007505	06NOV2018	BDA	DS



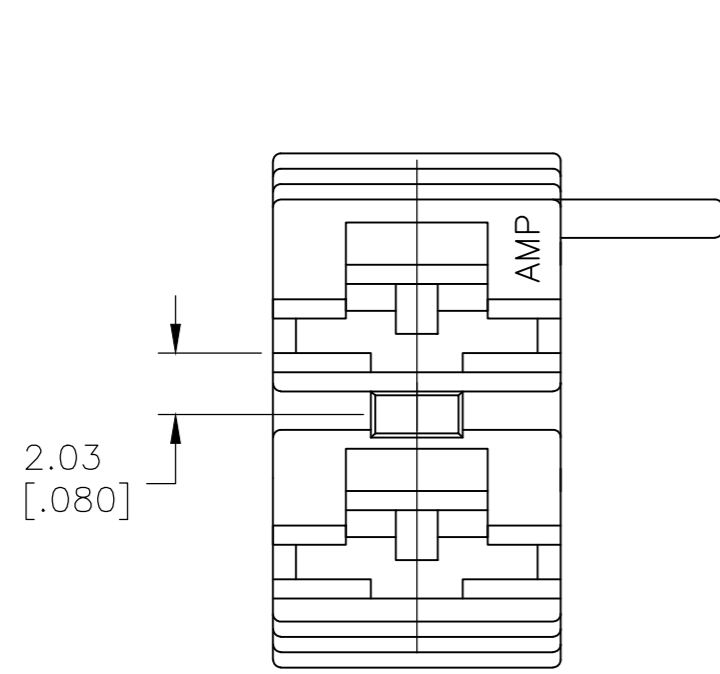
- 1 PRELIMINARY - NOT FOR PRODUCTION
- 2 OBSOLETE PARTS
- 3 PARTS MAY APPEAR MEDIUM COLORED TO LIGHT COLORED AND EXHIBIT A MARBLING EFFECT.

GREEN	66 Nylon V0 Green	3 1-1969232-4	
YELLOW	66 Nylon V0 Yellow	3 1-1969232-3	
NATURAL	66 Nylon V0 Natural	1-1969232-1	
RED	66 NYLON, V0	1 1969232-5	
SUPERSEDED BY 1-1969232-4	GREEN	66 NYLON, V0	1969232-4
SUPERSEDED BY 1-1969232-3	YELLOW	66 NYLON, V0	1969232-3
	BLACK	66 NYLON, V0	2 1969232-2
SUPERSEDED BY 1-1969232-1	NATURAL	66 NYLON, V0	1969232-1
COLOR	MATERIAL	PART NO	

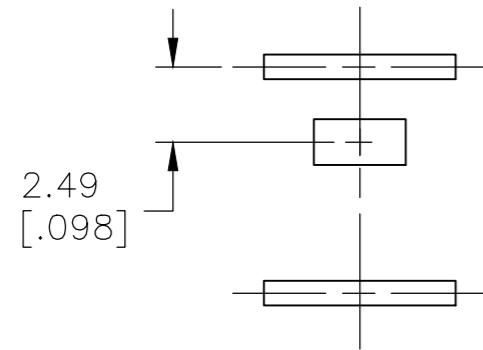
THIS DRAWING IS A CONTROLLED DOCUMENT.		DWN jr ruth 16DEC08	TE TE Connectivity Ltd.	
DIMENSIONS: mm [INCHES]		CHK P DESANTIS 16DEC08		
TOLERANCES UNLESS OTHERWISE SPECIFIED:		APVD P DESANTIS 16DEC08	NAME	
0 PLC ± -		PRODUCT SPEC	HOUSING, RECEPTACLE, FASTON, .250 SERIES, 2 CIRCUIT	
1 PLC ± -		APPLICATION SPEC	SIZE CAGE CODE DRAWING NO RESTRICTED TO	
2 PLC ± 0.25 [.010]		WEIGHT -	A2 00779 C=1969232 -	
3 PLC ± -		CUSTOMER DRAWING	SCALE 4:1 SHEET 1 OF 2 REV A8	
4 PLC ± -				
ANGLES ± 5°				
FINISH SEE TABLE				

THIS DRAWING IS UNPUBLISHED. RELEASED FOR PUBLICATION
 © COPYRIGHT - TE Connectivity Ltd. ALL RIGHTS RESERVED.

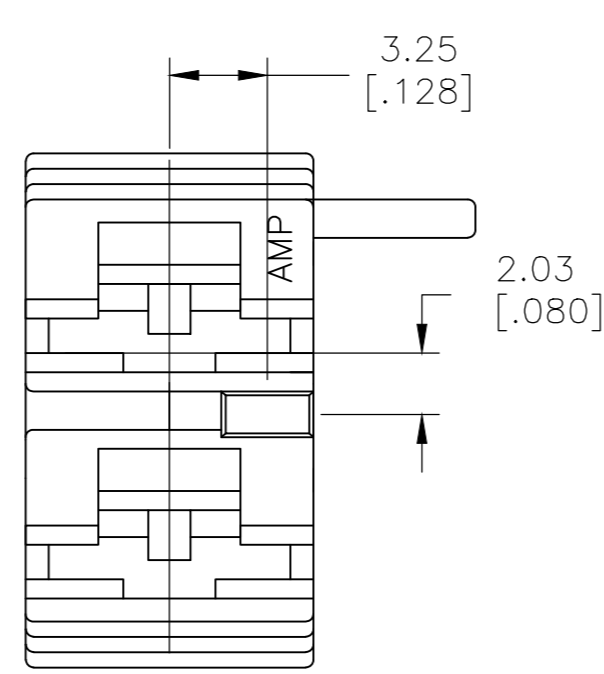
REVISIONS				
P	LTR	DESCRIPTION	DATE	APVD
-	-	SEE SHEET 1	-	-



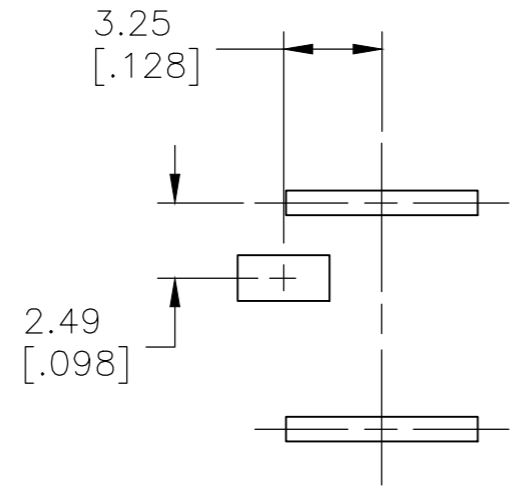
KEYING FOR -1
TAB ENTRY VIEW
NATURAL



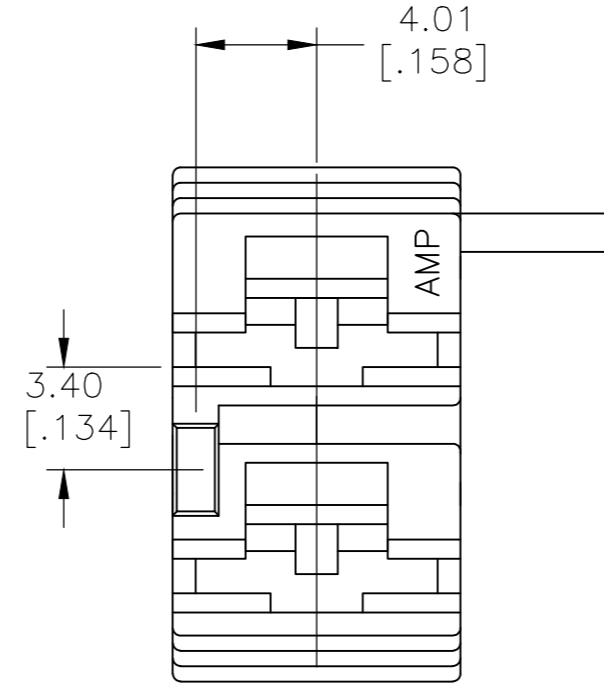
SUGGESTED
PC BOARD
CIRCUIT FOR
1969232-1



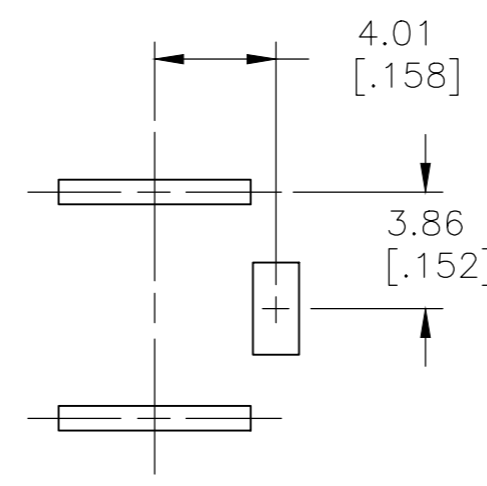
KEYING FOR -2
TAB ENTRY VIEW
BLACK



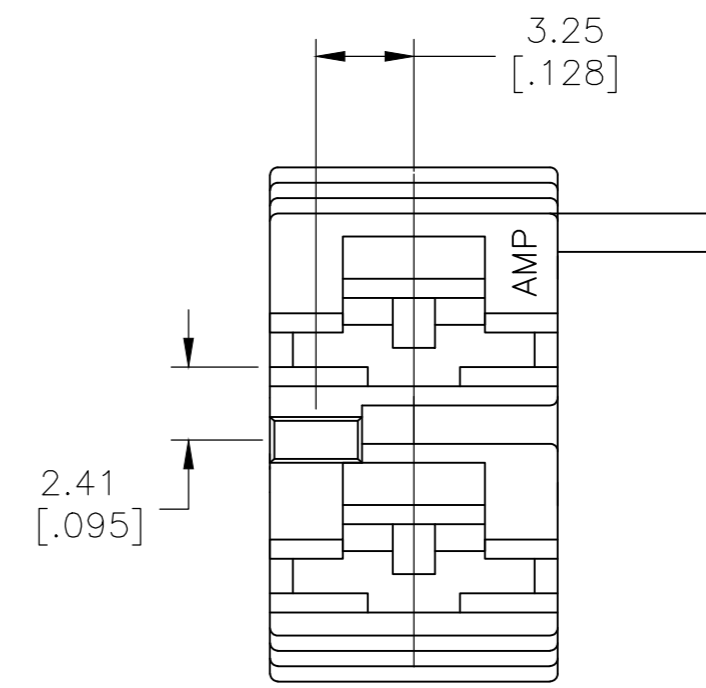
SUGGESTED
PC BOARD
CIRCUIT FOR
1969232-2



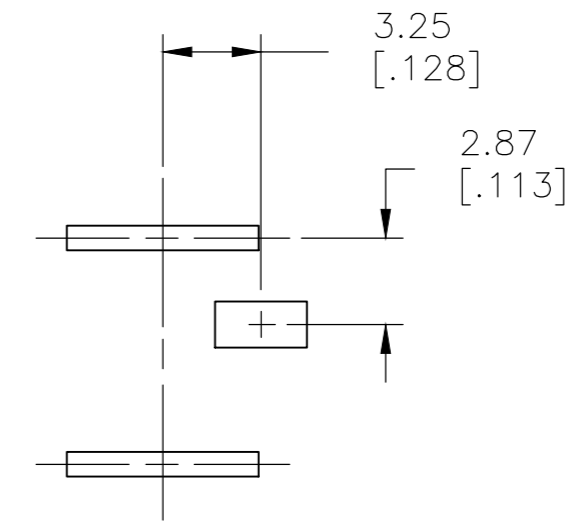
KEYING FOR -3
TAB ENTRY VIEW
YELLOW



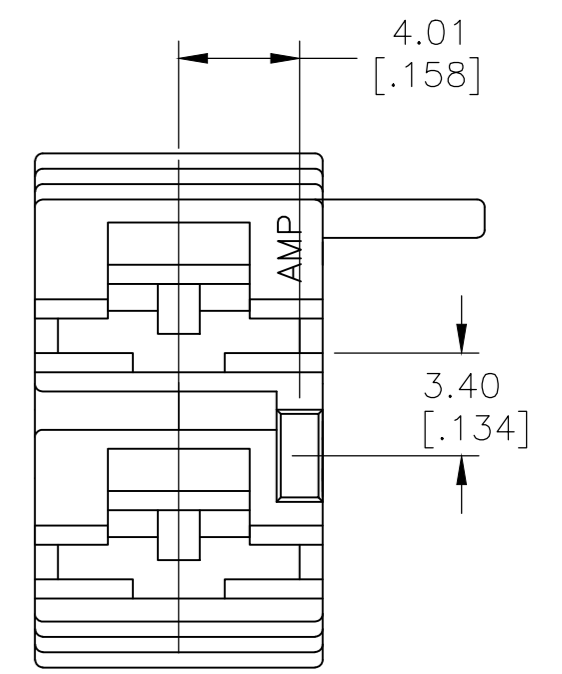
SUGGESTED
PC BOARD
CIRCUIT FOR
1969232-3



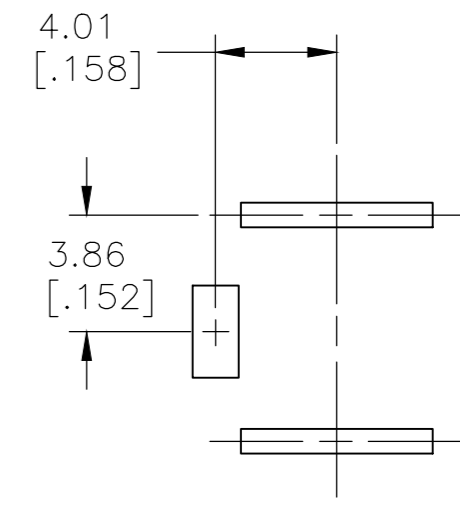
KEYING FOR -4
TAB ENTRY VIEW
GREEN



SUGGESTED
PC BOARD
CIRCUIT FOR
1969232-4



KEYING FOR -5
TAB ENTRY VIEW
RED



SUGGESTED
PC BOARD
CIRCUIT FOR
1969232-5

THIS DRAWING IS A CONTROLLED DOCUMENT.		DWN jr ruth 16DEC08	TE Connectivity Ltd.	
DIMENSIONS: mm [INCHES]		CHK P DESANTIS 16DEC08		
TOLERANCES UNLESS OTHERWISE SPECIFIED:		APVD P DESANTIS 16DEC08	HOUSING, RECEPTACLE, FASTON, .250 SERIES, 2 CIRCUIT	
0 PLC ± - 1 PLC ± - 2 PLC ± 0.25 [.010] 3 PLC ± - 4 PLC ± - ANGLES ± 5°		PRODUCT SPEC	SIZE A2	CAGE CODE 00779
MATERIAL SEE TABLE		FINISH SEE TABLE	DRAWING NO C=1969232	RESTRICTED TO
		WEIGHT -	SCALE 4:1	SHEET 2 of 2
		CUSTOMER DRAWING	REV A8	

1969232