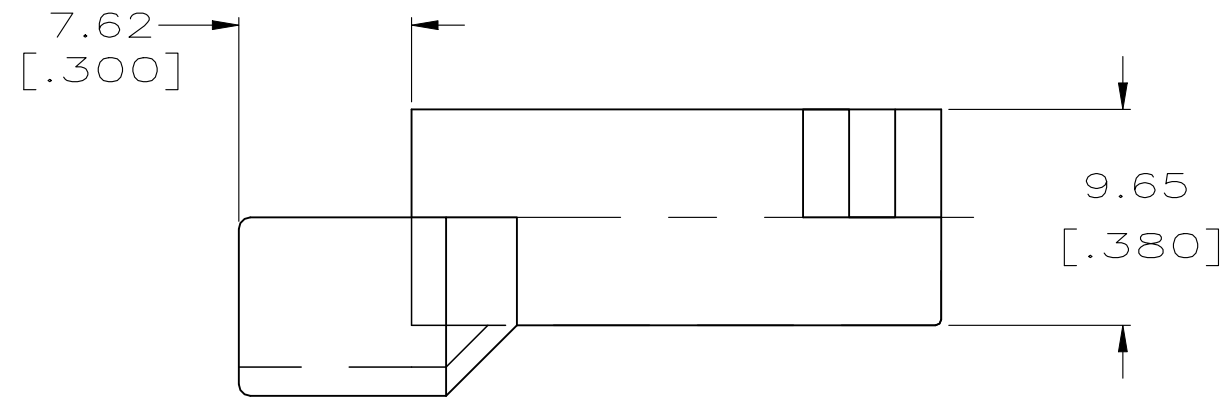
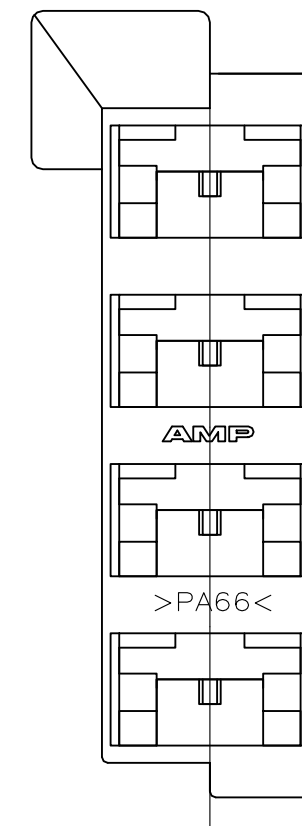
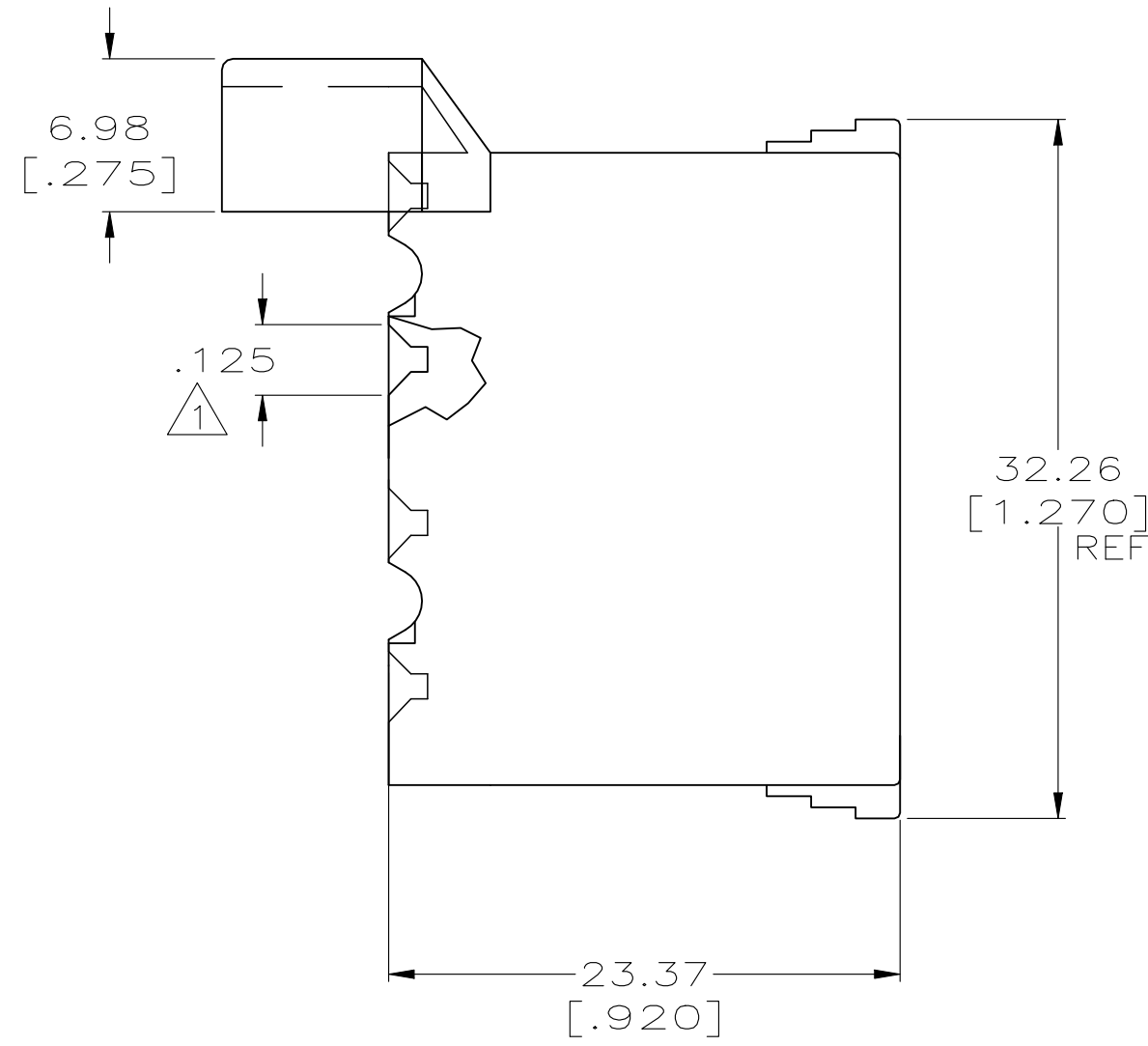
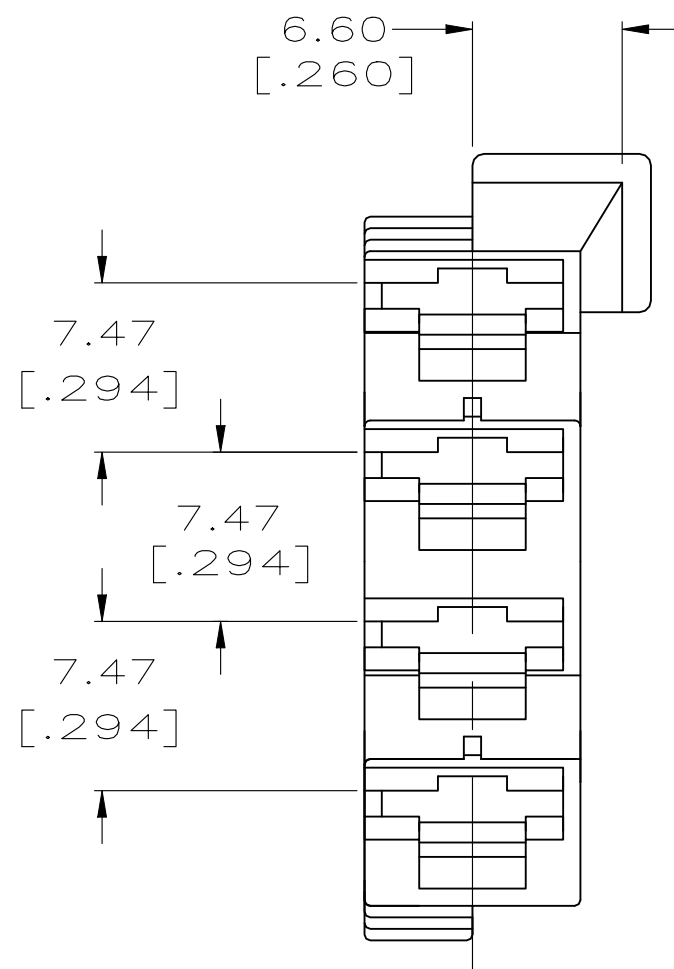


THIS DRAWING IS UNPUBLISHED. RELEASED FOR PUBLICATION
 © COPYRIGHT - TE Connectivity Ltd. ALL RIGHTS RESERVED.

REVISIONS					
P	LTR	DESCRIPTION	DATE	DWN	APVD
	A3	REVISED PER ECR-23-190835	13FEB2024	DB	RE



- 1 TOTAL LEAD-IN FOR MATING TAB.
- 2 PREPRODUCTION ONLY, AGENCY APPROVAL IS PENDING.



OBSOLETE	NYLON V0	1969136-2	2
	NYLON V2	1969136-1	
	MATERIAL	PART NUMBER	

THIS DRAWING IS A CONTROLLED DOCUMENT.		DWN	JR RUTH	21MAY07				
DIMENSIONS: INCHES		CHK	MS FEHER	21MAY07				
TOLERANCES UNLESS OTHERWISE SPECIFIED:		APVD	P DESANTIS	21MAY07				
0 PLC ± - 1 PLC ± - 2 PLC ± 0.25 [.010] 3 PLC ± - 4 PLC ± - ANGLES ± -		NAME		HOUSING, RECEPTACLE, FASTON, 6.35 [.250] SERIES				
MATERIAL: 6/6 NYLON		FINISH: NATURAL		WEIGHT: -	SIZE: A2	CAGE CODE: 00779	DRAWING NO: C=1969136	RESTRICTED TO: -
CUSTOMER DRAWING				SCALE: 4:1	SHEET: 1 OF 1	REV: A3		