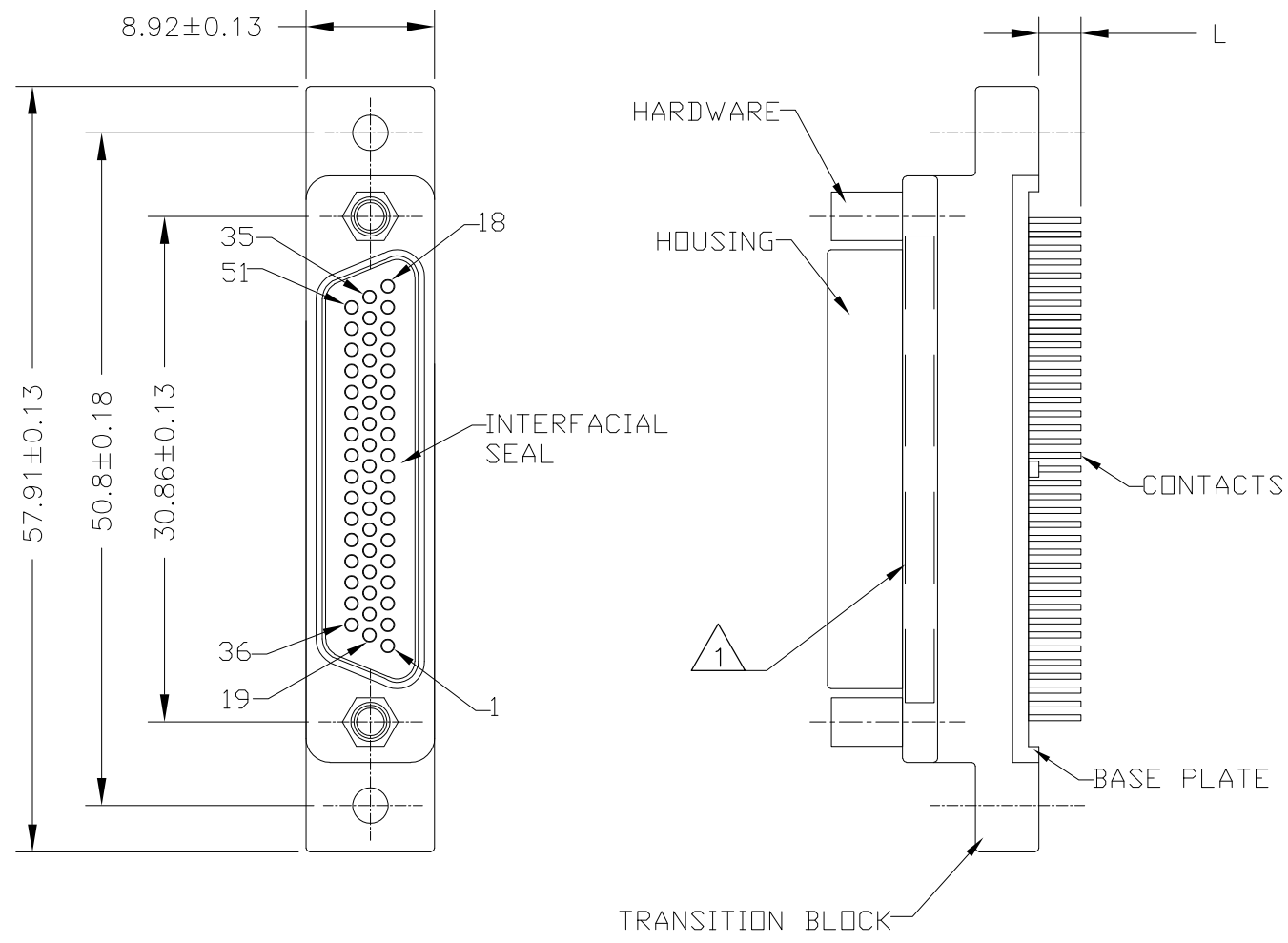
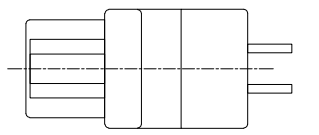
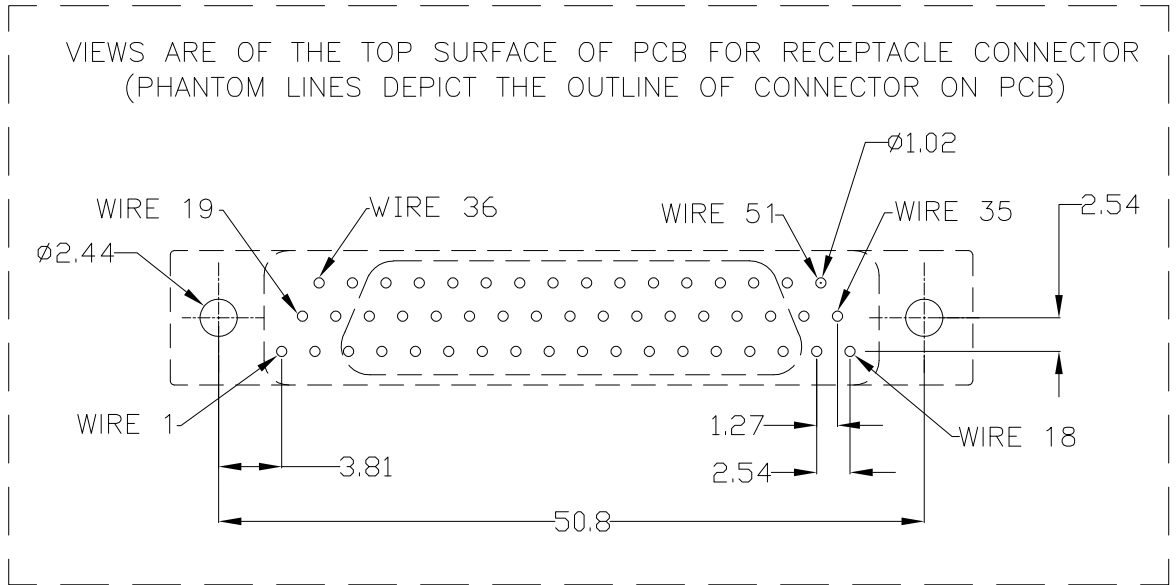


THIS DRAWING IS UNPUBLISHED. RELEASED FOR PUBLICATION
 © COPYRIGHT - By - ALL RIGHTS RESERVED.

LOC	DIST	REVISIONS					
		P	LTR	DESCRIPTION	DATE	DWN	APVD
			A1	ECR-11-019360	28/09/11	SS	KR
			A2	ECR-11-025637	20/12/11	SS	GA
			A3	ECR-12-005230	30/03/12	SS	GA



- 1. TE PN AND DATE CODE (YYWW) ARE PRINTED ON THE CONNECTOR SHELL
- 2. SPECIFICATION:
 - a. ELECTRICAL:
 - CONTACT RESISTANCE : 25 MILLIVOLTS MAX. AT 3 AMPS
 - INSULATION RESISTANCE : 5000 MEGAOHMS MIN. @ 500 VDC AT AMBIENT ROOM TEMPERATURE
 - CURRENT RATING : 3 AMP MAX. PER CONTACT
 - b. MECHANICAL:
 - CONTACT ENGAGING FORCE : 2.22 N MAX. PER CONTACT
 - CONTACT SEPARATION FORCE : 0.14 N MIN. PER CONTACT
 - c. ENVIRONMENTAL:
 - OPERATING TEMPERATURE : -55° C TO +125° C
 - VIBRATION CHARACTERISTICS : PER MIL-STD-1344, METHOD 2005, TEST CONDITION IV
- 3. MATERIAL:
 - SHELL : ALUMINUM ALLOY 6061 T6 GRADE.
 - CONTACT : BeCu
 - JACKPOST : STAINLESS STEEL
 - HEX NUT : STAINLESS STEEL
- 4. FINISH:
 - SHELL : ELECTROLESS NICKEL PLATING PER MIL-C-26074
 - CONTACTS : GOLD PLATED
 - JACKPOST : PASSIVATED
 - HEX NUT : PASSIVATED



8.00±1.0	1959177-4	MCKN1-P-51SST1X
4.37±0.4	1959177-3	MCKN1-P-51SST1B
2.77±0.4	1959177-2	MCKN1-P-51SST1
3.56±0.4	1959177-1	MCKN1-P-51SST1A
L	TE PART NO.	MICRODOT DESCRIPTION

THIS DRAWING IS A CONTROLLED DOCUMENT.		DWN 26NOV2009 NIRANJAN HEGDE		TE Connectivity	
DIMENSIONS: mm [INCHES]		CHK 26NOV2009 SHIVAPRAKASH K R			
TOLERANCES UNLESS OTHERWISE SPECIFIED:		APVD 26NOV2009 KARTHIK S		NAME MCK 51 SOCKET - 180 DEGREE PCB MOUNT	
0 PLC ± - 1 PLC ± - 2 PLC ± - 3 PLC ± - 4 PLC ± - ANGLES ± -		PRODUCT SPEC		SIZE	
MATERIAL		APPLICATION SPEC		CAGE CODE	
FINISH		WEIGHT		DRAWING NO	
3		-		A3 00779	
4		CUSTOMER DRAWING		RESTRICTED TO	
		SCALE NTS		SHEET 1 OF 1	
				REV A3	