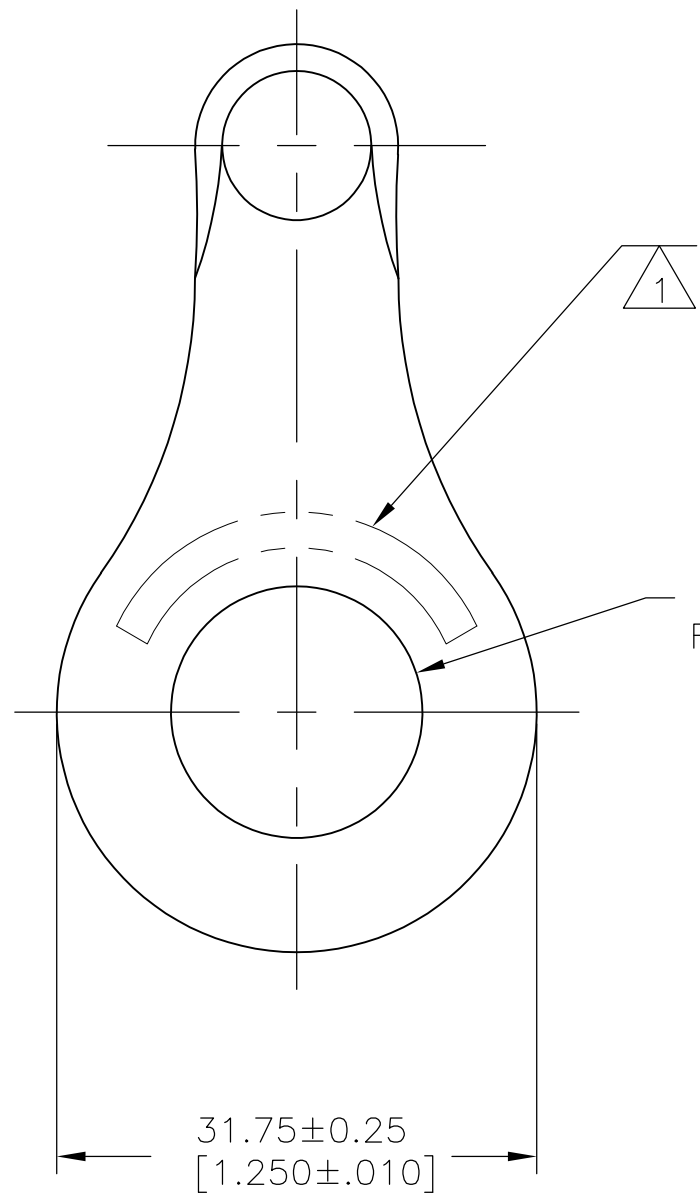
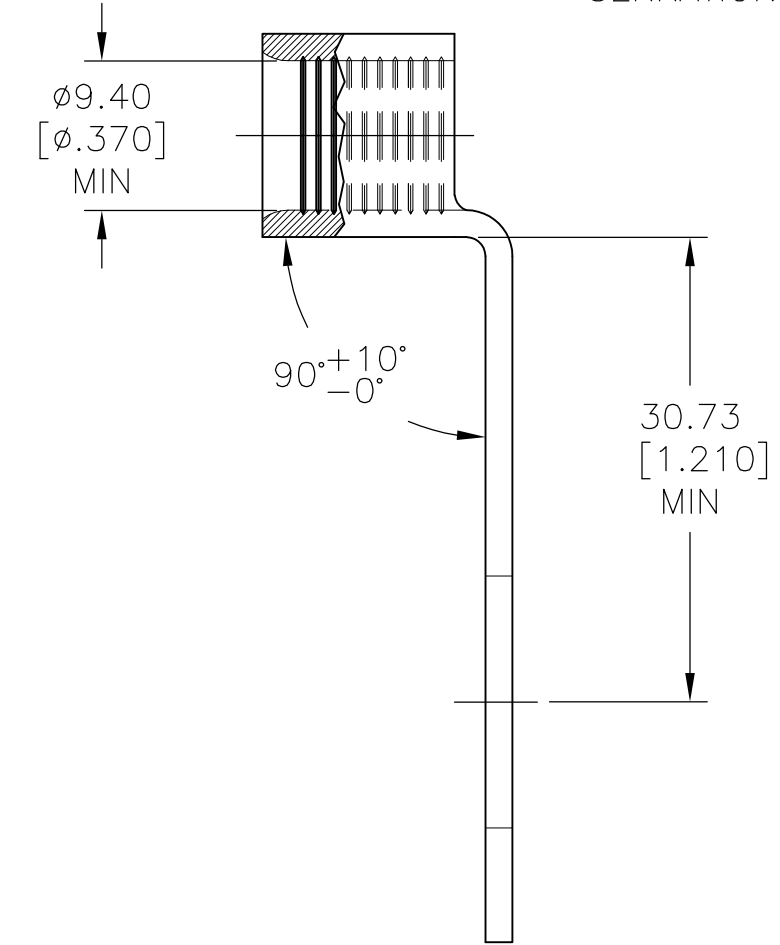
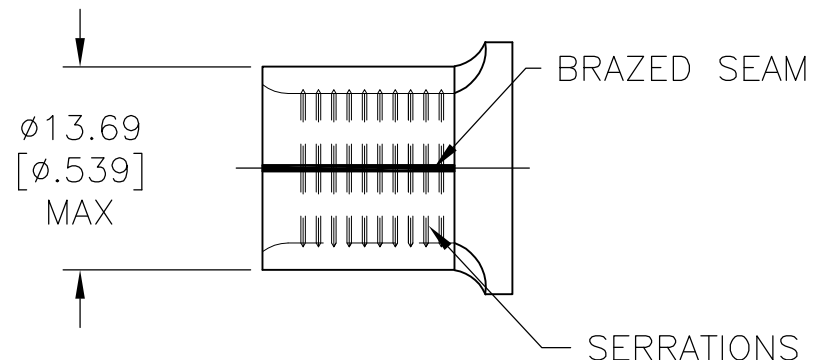


THIS DRAWING IS UNPUBLISHED. RELEASED FOR PUBLICATION
 © COPYRIGHT - By - ALL RIGHTS RESERVED.

LOC	DIST	REVISIONS					
		P	LTR	DESCRIPTION	DATE	DWN	APVD
-	-	1		NEW DRAWING PER ECO-12-008921	11MAY12	KH	DR



- 1 STAMP AMP 2W* 60-75 APPROX AS SHOWN
- 2 COPPER PER ASTM B-152, ANNEALED
- 3 0.00254 [.000100] MIN TIN PER ASTM B-545
- 4 MATERIAL THICKNESS: 1.78±0.08[.070±.003]

AMP
 WIRE RANGE
 2 AWG
 SOLID OR STRANDED

PRELIMINARY - NOT RELEASED FOR PRODUCTION

50	LOOSE PIECE	1958417-1
QTY	PACKAGE TYPE	PART NUMBER

AMP INCORPORATED
CUSTOMER SERVICE SYSTEMS

FOR ADDITIONAL PRODUCT INFORMATION OR COPIES OF DRAWINGS AND TECHNICAL DOCUMENTS
 PRODUCT INFORMATION CENTER
 1-800-522-6752

FOR APPLICATION TOOLING INFORMATION
 TOOLING ASSISTANCE CENTER
 1-800-722-1111

FOR ORDER ENTRY
 1-800-526-5142

RECOMMENDED OPERATING TEMPERATURE:
 170° C MAX

VOLTAGE RATING:
 NOT APPLICABLE

WIRE CROSS SECTIONAL AREA RANGE:
 26.7-42.4mm² [52,600-83,700] CIR MILS STRANDED

THIS DRAWING IS A CONTROLLED DOCUMENT.

DIMENSIONS: mm [INCHES]

TOLERANCES UNLESS OTHERWISE SPECIFIED:

0 PLC	± -
1 PLC	± -
2 PLC	± 0.20[.008]
3 PLC	± -
4 PLC	± -
ANGLES	± -
FINISH	± -

MATERIAL: COPPER 2

FINISH: TIN PLATE 3

DWN KIRAN HOLAL 11MAY12
 CHK ROHDE DANIEL 11MAY12
 APVD ROHDE DANIEL 11MAY12

NAME: TERMINAL, RING TONGUE, SOLISTRAND 2 AWG, 90 DEG BEND

SIZE: A3 CAGE CODE: 00779 DRAWING NO: C-1958417 RESTRICTED TO: -

SCALE: 2:1 SHEET: 1 OF 1 REV: 1

CUSTOMER DRAWING