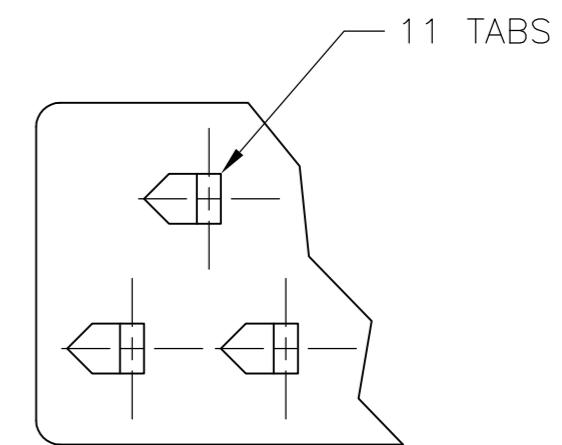
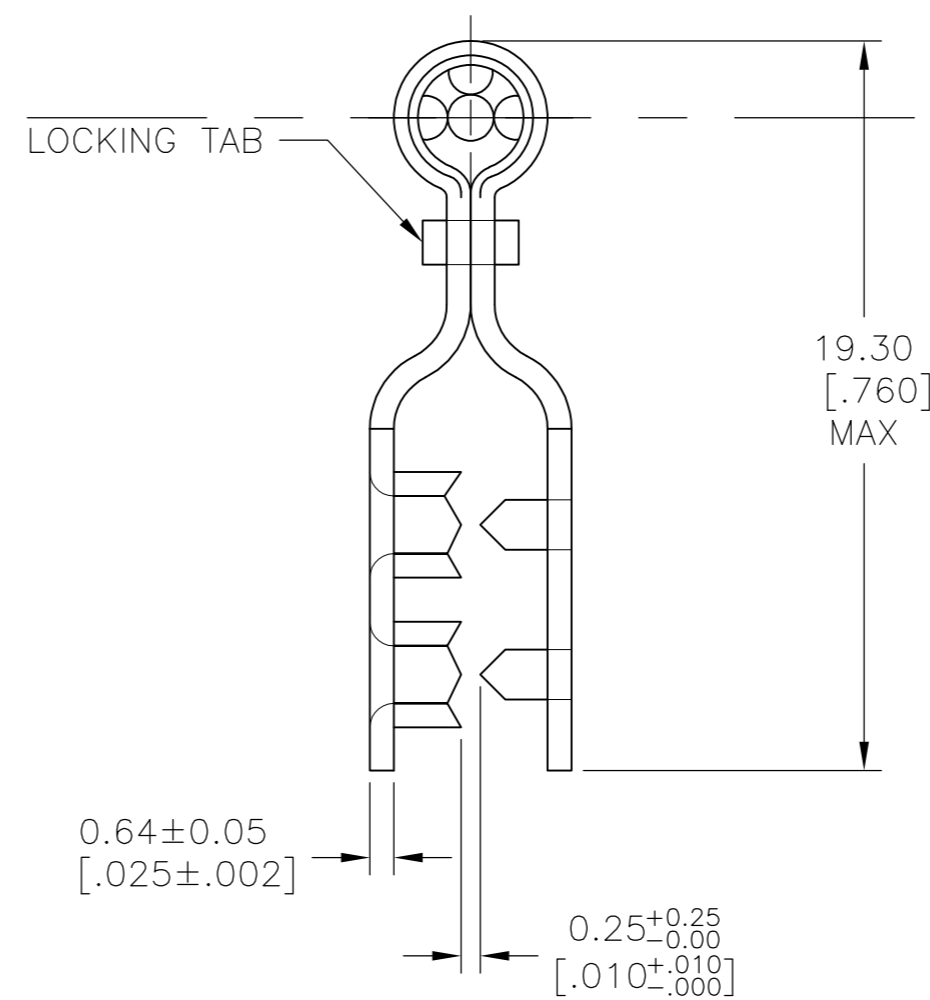
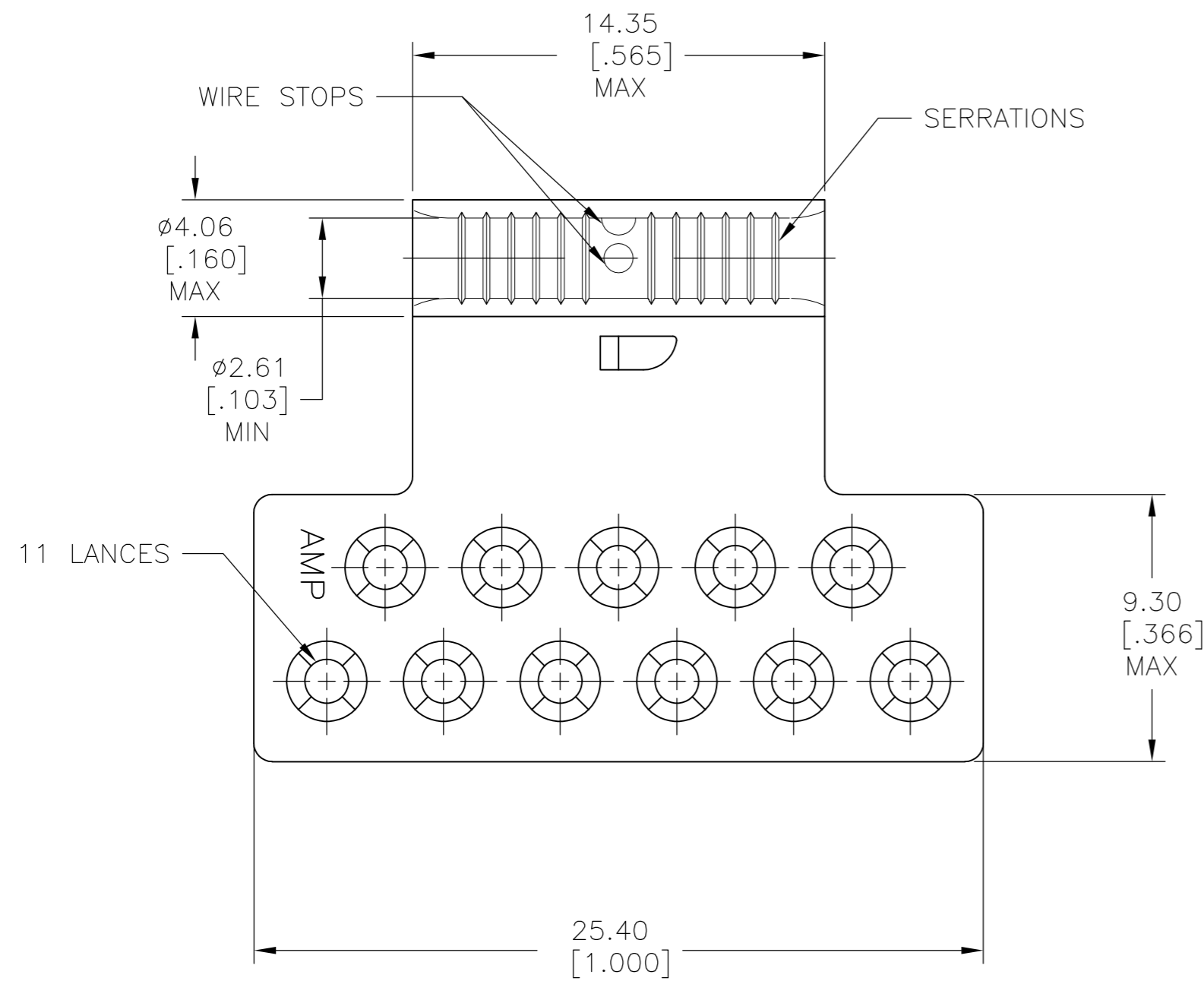


THIS DRAWING IS UNPUBLISHED. RELEASED FOR PUBLICATION  
 © COPYRIGHT BY TYCO ELECTRONICS CORPORATION. ALL INTERNATIONAL RIGHTS RESERVED.

LOC	DIST	REVISIONS					
		P	LTR	DESCRIPTION	DATE	DWN	APVD
G	81						
		2		REVISED PER ECO-10-025632	16DEC10	HMR	DR

- 1 0.76[.030] MAX FOIL THK
- 2 TIN PLATE 0.00254[.00010] MIN EXT THK PER ASTM B-545



**PRELIMINARY NOT RELEASED FOR PRODUCTION**

1958374-2  
AMP  
PART NUMBER

AMP INCORPORATED CUSTOMER SERVICE SYSTEMS			THIS DRAWING IS A CONTROLLED DOCUMENT.		DWN	04NOV10	Tyco Electronics Corporation Harrisburg, PA 17105-3608	
FOR ADDITIONAL PRODUCT INFORMATION OR COPIES OF DRAWINGS AND TECHNICAL DOCUMENTS	PRODUCT INFORMATION CENTER 1-800-522-6752	RECOMMENDED OPERATING TEMPERATURE: -	DIMENSIONS: mm [INCHES]	TOLERANCES UNLESS OTHERWISE SPECIFIED:	RAGHAVENDRA	04NOV10	NAME	
FOR APPLICATION TOOLING INFORMATION	TOOLING ASSISTANCE CENTER 1-800-722-1111	VOLTAGE RATING: -		0 PLC ± -	CHK	04NOV10	BUTT SPLICE, W/ BARREL, TAP, DOUBLE FACE, TERMI-FOIL, WIRE SIZE: 18-12 AWG	
FOR ORDER ENTRY	1-800-526-5142	WIRE CROSS SECTIONAL AREA RANGE: -		1 PLC ± -	APVD	04NOV10	SIZE CAGE CODE DRAWING NO RESTRICTED TO	
			MATERIAL	FINISH	ROHDE DANIEL	04NOV10	A2 00779 C=1958374	
			COPPER PER ASTM B-152	2	PRODUCT SPEC		WEIGHT -	
					APPLICATION SPEC		SCALE 5:1 SHEET 1 OF 1 REV 2	
					WEIGHT		CUSTOMER DRAWING	