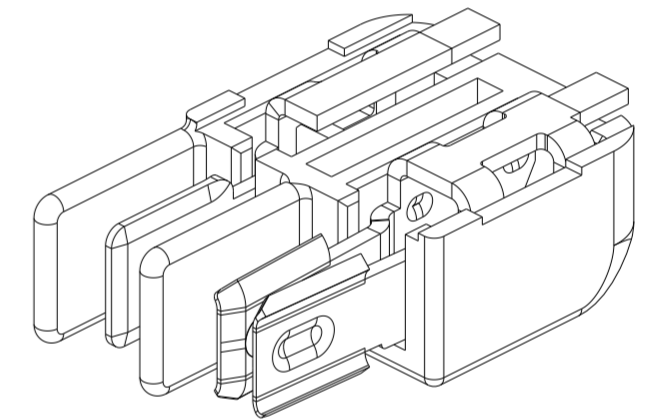
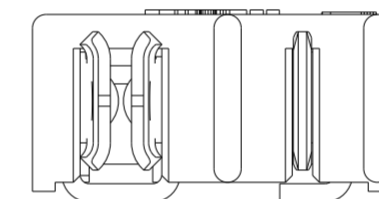
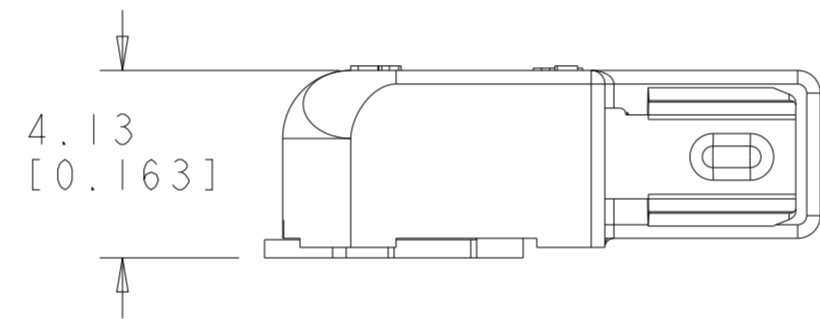
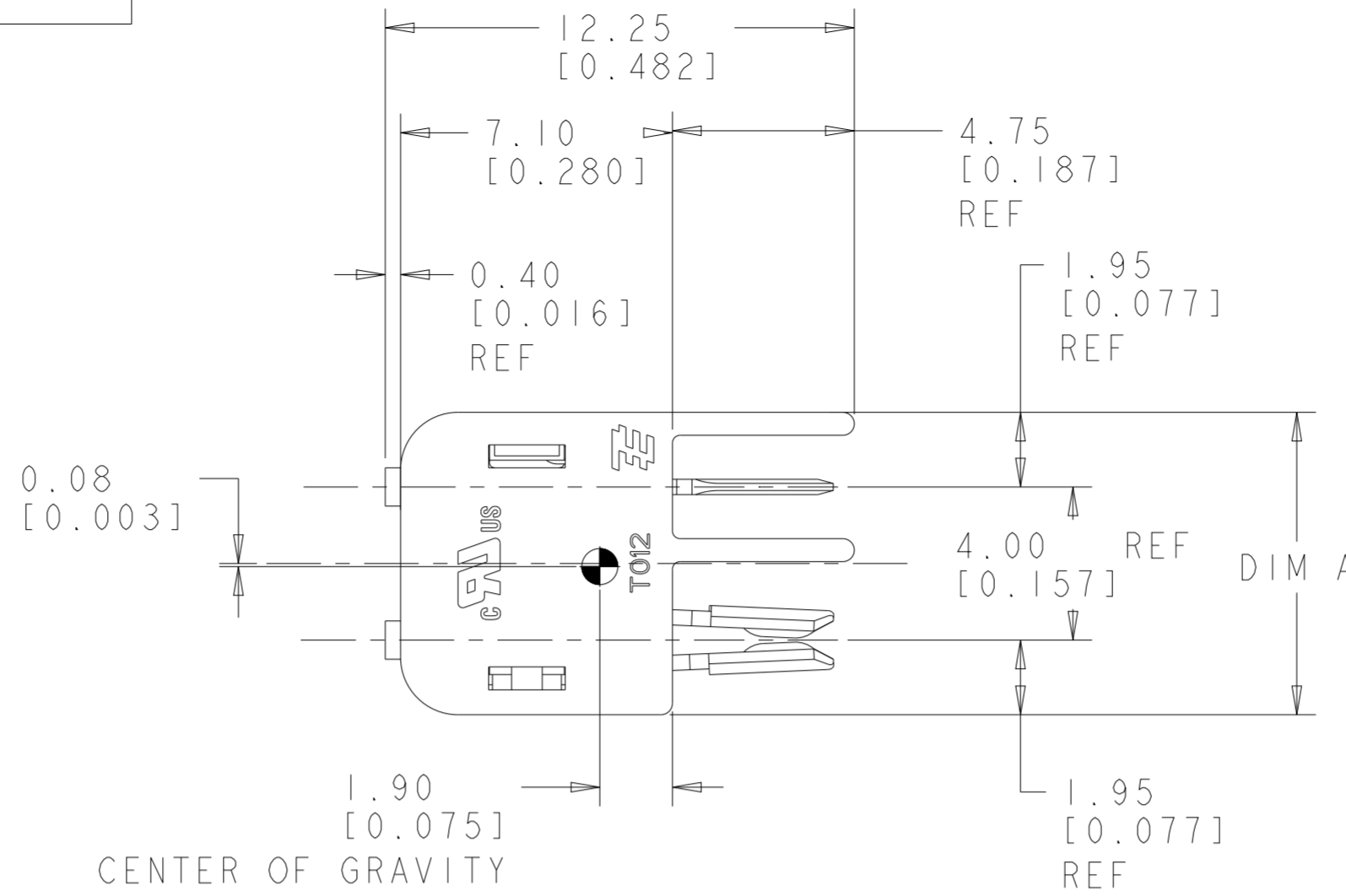


THIS DRAWING IS UNPUBLISHED. RELEASED FOR PUBLICATION 20
 © COPYRIGHT 20 BY - ALL RIGHTS RESERVED.

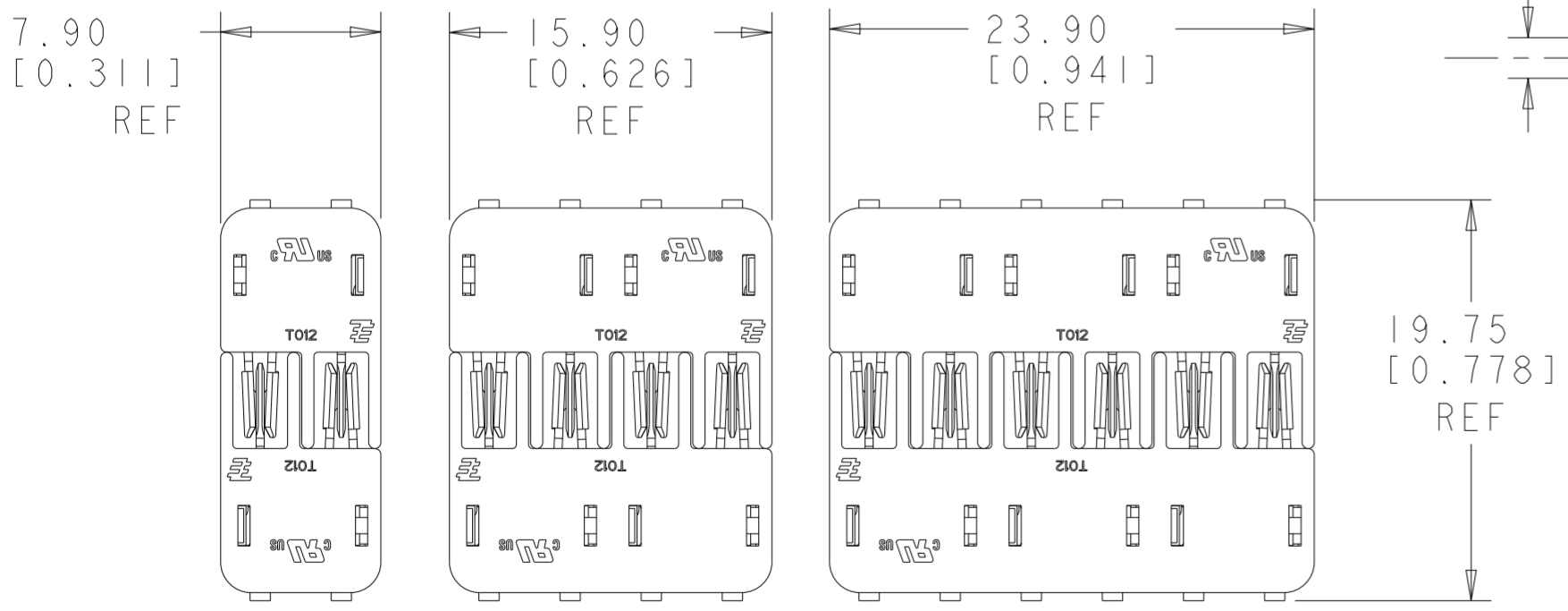
LOC		DIST		REVISIONS			
P	LTR	DESCRIPTION	DATE	DWN	APVD		
	B1	REVISED PER ECO-11-004587	11MAR2011	RK	HMR		
	B2	REVISED PER ECR-11-015304	29JUL2011	RK	DD		
	B2	REVISE PER ECN-24-249725	29JAN2024	JPS	MM		

NOTES:

- 1 MATERIALS AND FINISH
 - HOUSING: LCP
 - CONTACTS: COPPER ALLOY, FINISH: TIN
- 2 PRODUCT TO COMPLY WITH DIRECTIVE 2002/95/EC (ROHS)
- 3 PACKAGED IN TAPE AND REEL PER EIA-481 SPECIFICATIONS



1954289-1/
1-1954289-1
SHOWN



1954289-1/ 1954289-2/
1-1954289-1 1-1954289-2
SCALE 3:1 SCALE 3:1
1954289-3/
1-1954289-3
SCALE 3:1

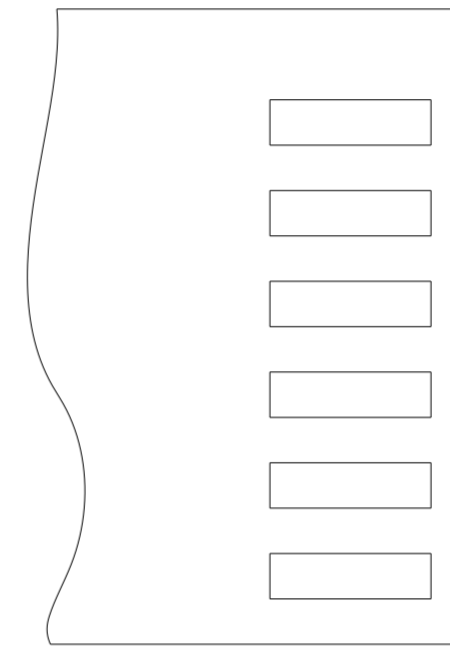
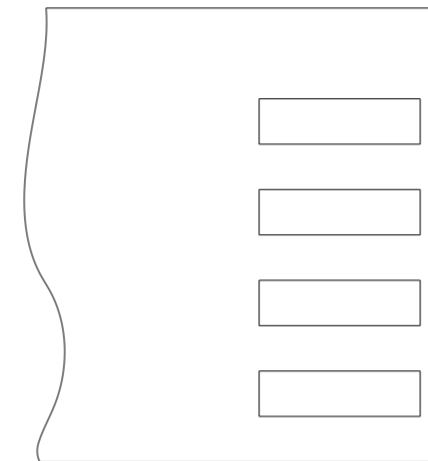
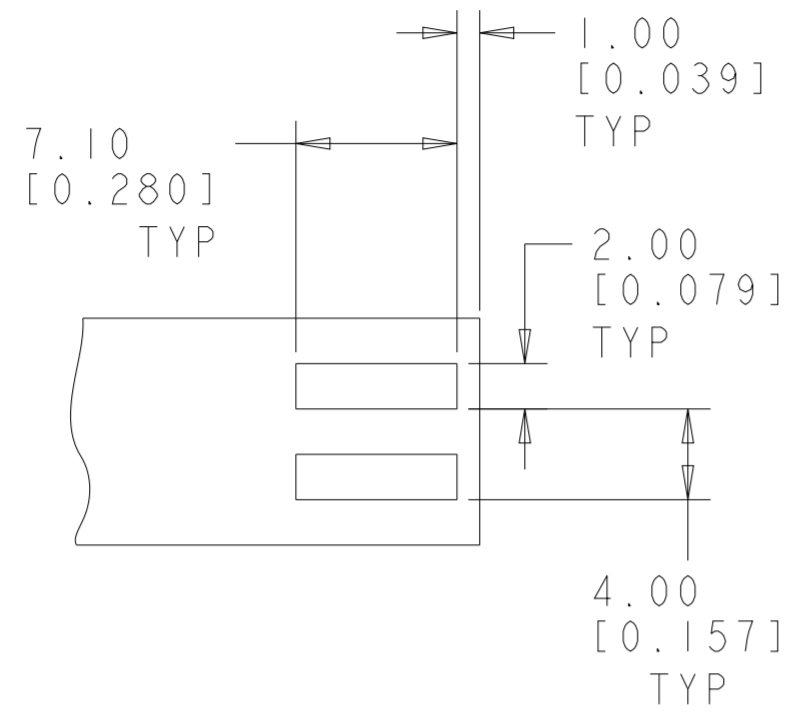
MATED PAIRS SHOWN FOR REFERENCE

6	BLACK	23.90	1-1954289-3
4	BLACK	15.90	1-1954289-2
2	BLACK	7.90	1-1954289-1
6	NATURAL	23.90	1954289-3
4	NATURAL	15.90	1954289-2
2	NATURAL	7.90	1954289-1
POSITION	COLOR	DIM A	PART NO.

THIS DRAWING IS A CONTROLLED DOCUMENT.		DWN RAGHU 18DEC2006	TE Connectivity		
		CHK S HORST 17APR2007			
DIMENSIONS: mm		TOLERANCES UNLESS OTHERWISE SPECIFIED:		NAME CONNECTOR ASSEMBLY, HERMAPHRODITIC BLADE AND RECEPTACLE	
0 PLC ±		1 PLC ±		APVD -	
2 PLC ±0.13		3 PLC ±0.013		PRODUCT SPEC 108-2342	
4 PLC ±		ANGLES ±1°		APPLICATION SPEC 114-13225	
FINISH		MATERIAL		SIZE CAGE CODE DRAWING NO RESTRICTED TO	
				A200779 C-1954289	
				WEIGHT -	
				CUSTOMER DRAWING SCALE 6:1 SHEET 1 OF 2 REV B3	

THIS DRAWING IS UNPUBLISHED. RELEASED FOR PUBLICATION 20
 © COPYRIGHT 20 BY - ALL RIGHTS RESERVED.

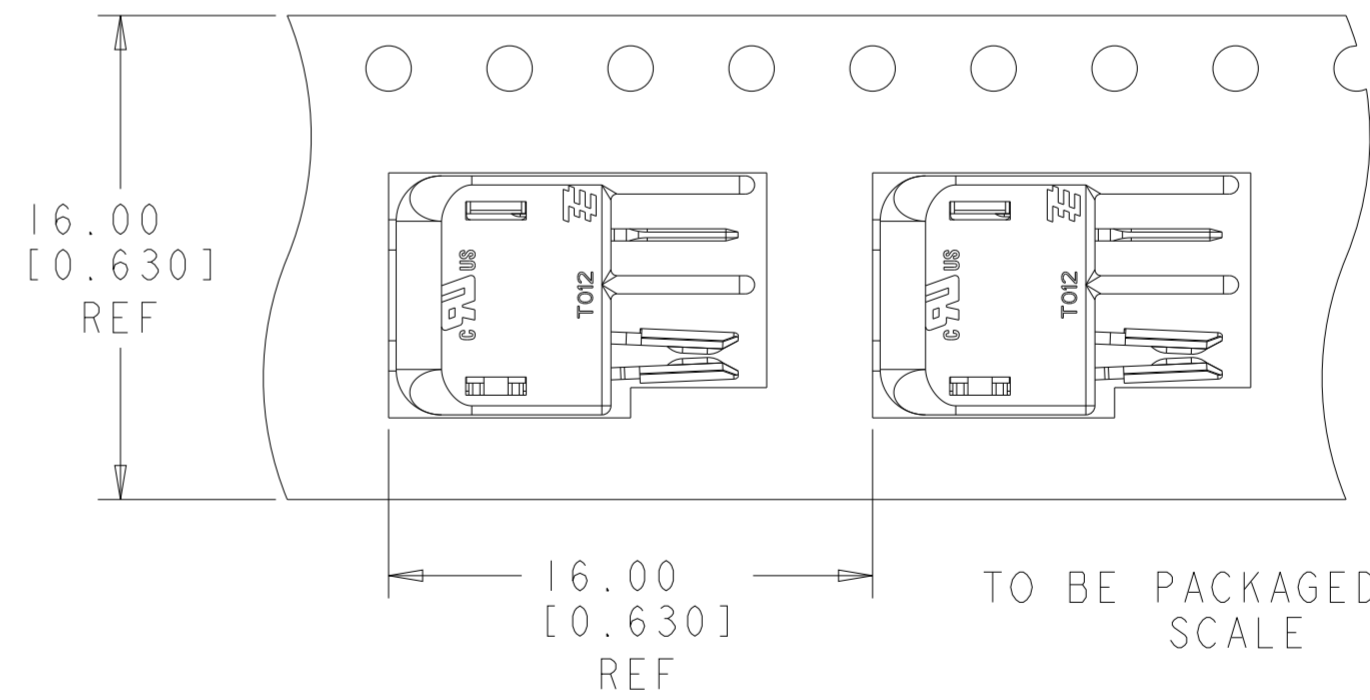
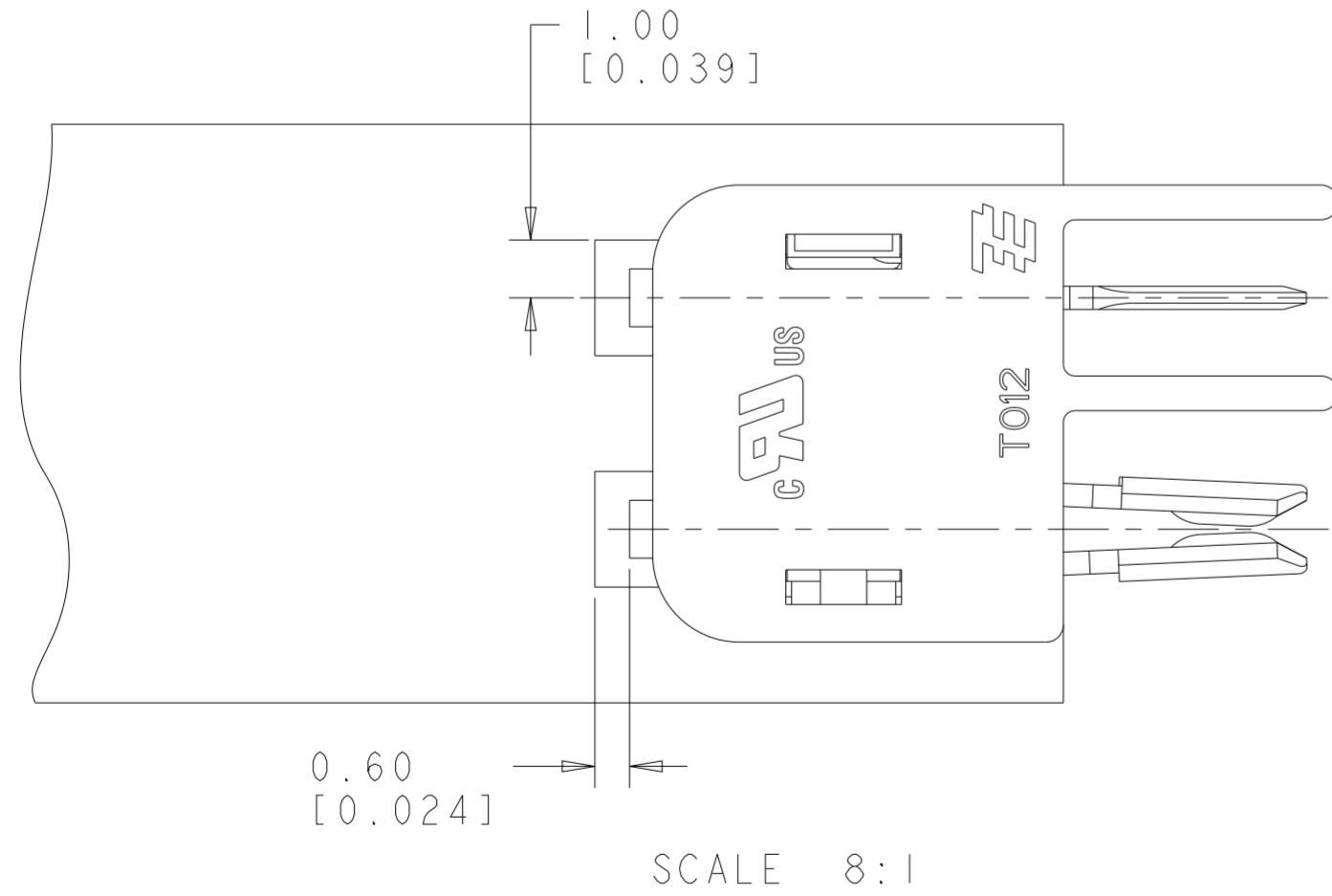
LOC		DIST		REVISIONS			
P	LTR	DESCRIPTION	DATE	DWN	APVD		
-	-	SEE SHEET 1	-	-	-		



RECOMMENDED PCB LAYOUT FOR 1954289-1 & 1-1954289-1

RECOMMENDED PCB LAYOUT FOR 1954289-2 & 1-1954289-2

RECOMMENDED PCB LAYOUT FOR 1954289-3 & 1-1954289-3



THIS DRAWING IS A CONTROLLED DOCUMENT.		DWN RAGHU 18DEC2006	STE TE Connectivity	
		CHK S HORST 17APR2007		
DIMENSIONS:	TOLERANCES UNLESS OTHERWISE SPECIFIED:	APVD -	NAME	
mm	0 PLC ± 1 PLC ± 2 PLC ±0.13 3 PLC ±0.013 4 PLC ± ANGLES ±1° FINISH	PRODUCT SPEC 108-2342	CONNECTOR ASSEMBLY, HERMAPHRODITIC BLADE AND RECEPTACLE	
MATERIAL		APPLICATION SPEC 114-13225	SIZE	CAGE CODE
		WEIGHT -	A200779	DRAWING NO C-1954289
		CUSTOMER DRAWING	SCALE 6:1	SHEET 2 OF 2 REV B3