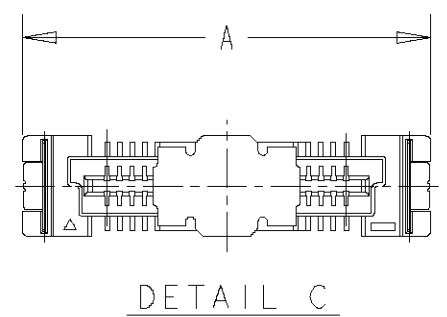
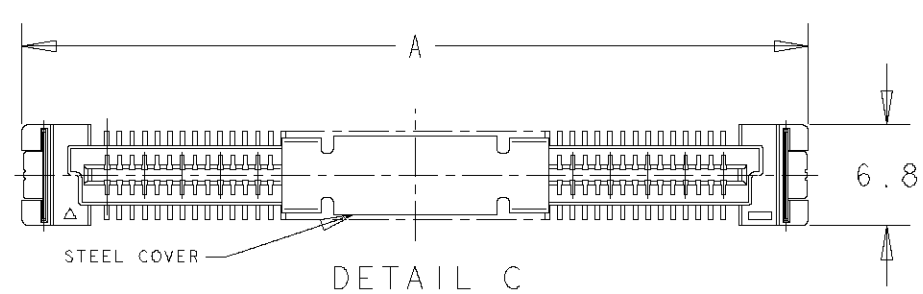
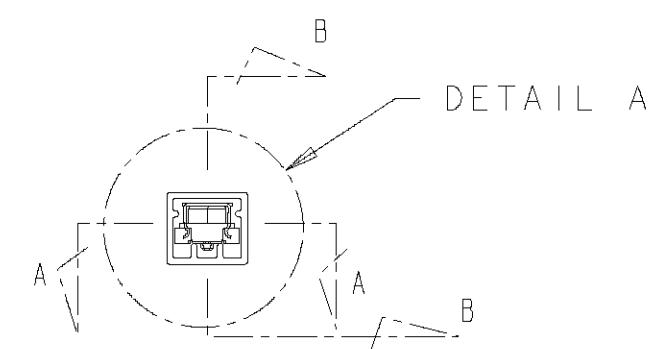
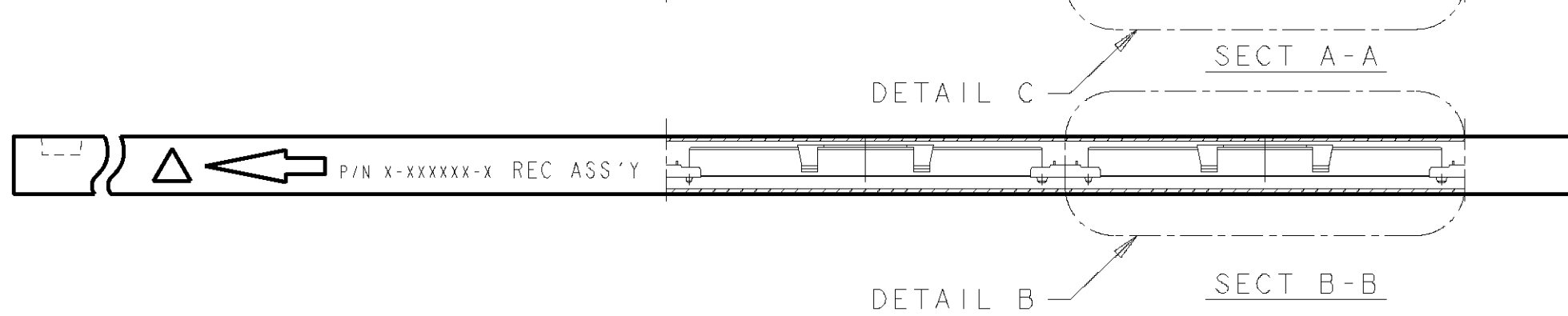
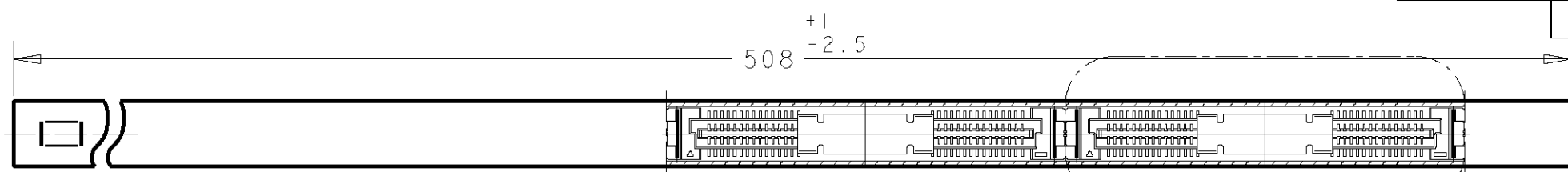
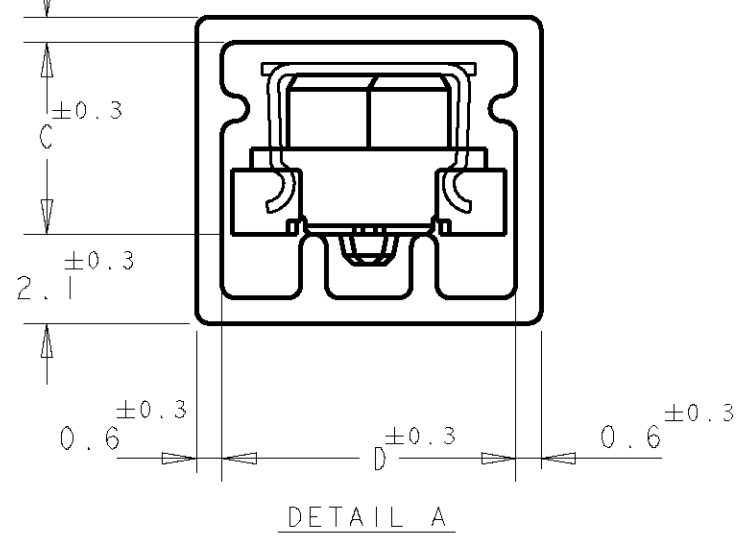
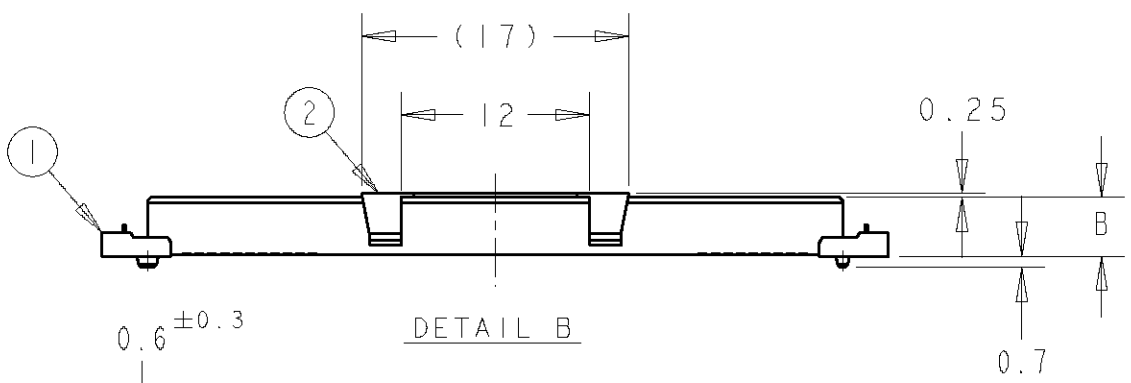


THIS DRAWING IS UNPUBLISHED. RELEASED FOR PUBLICATION .19
 © COPYRIGHT 19 BY AMP INCORPORATED. ALL RIGHTS RESERVED.

LOC	DIST	REVISIONS					
J	-	P	LTR	DESCRIPTION	DATE	DWN	APVD
		A		RELEASED	27OCT2006	T.K	D.M



13H TYPE 40,60 & 80 POS.



11	13H	7.3	12.5	11.75	42	1-1939475-3	80	1-1939479-3
QTY/TUBE	TYPE	D	C	B	A	CONN P/N	POS.	TUBE PACK P/N

<small>THIS DRAWING IS A CONTROLLED DOCUMENT FOR AMP INCORPORATED. IT IS SUBJECT TO CHANGE AND THE CONTROLLING ENGINEERING ORGANIZATION SHOULD BE CONTACTED FOR THE LATEST REVISION.</small>		DWN T.KUDO 27OCT2006 CHK D.MITSUGI 27OCT2006 APVD D.MITSUGI 27OCT2006	Tyco Electronics AMP K.K. Kawasaki, Japan
DIMENSIONS: mm 	TOLERANCES UNLESS OTHERWISE SPECIFIED: 0 PLC ± 1 PLC ±0.2 2 PLC ±0.25 3 PLC ±0.3 4 PLC ± ANGLES ±3°	PRODUCT SPEC - APPLICATION SPEC - WEIGHT -	NAME REC ASS'Y WITH SOLDER PEG (WITH STEEL COVER IN TUBE) 0.76 μmAu FH 0.8mm PITCH B-T-B CONNECTOR SIZE A3 CAGE CODE 00779 DRAWING NO ©-1939479
MATERIAL -	FINISH -	CUSTOMER DRAWING	SCALE NTS SHEET 1 OF 1 REV A