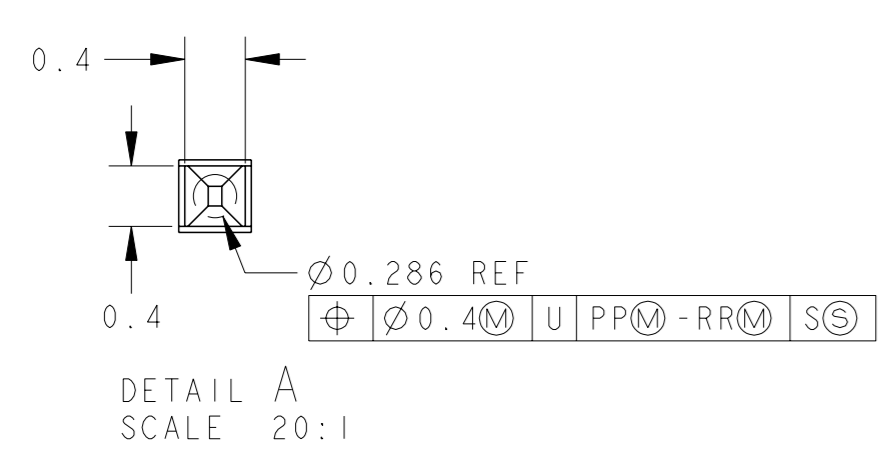
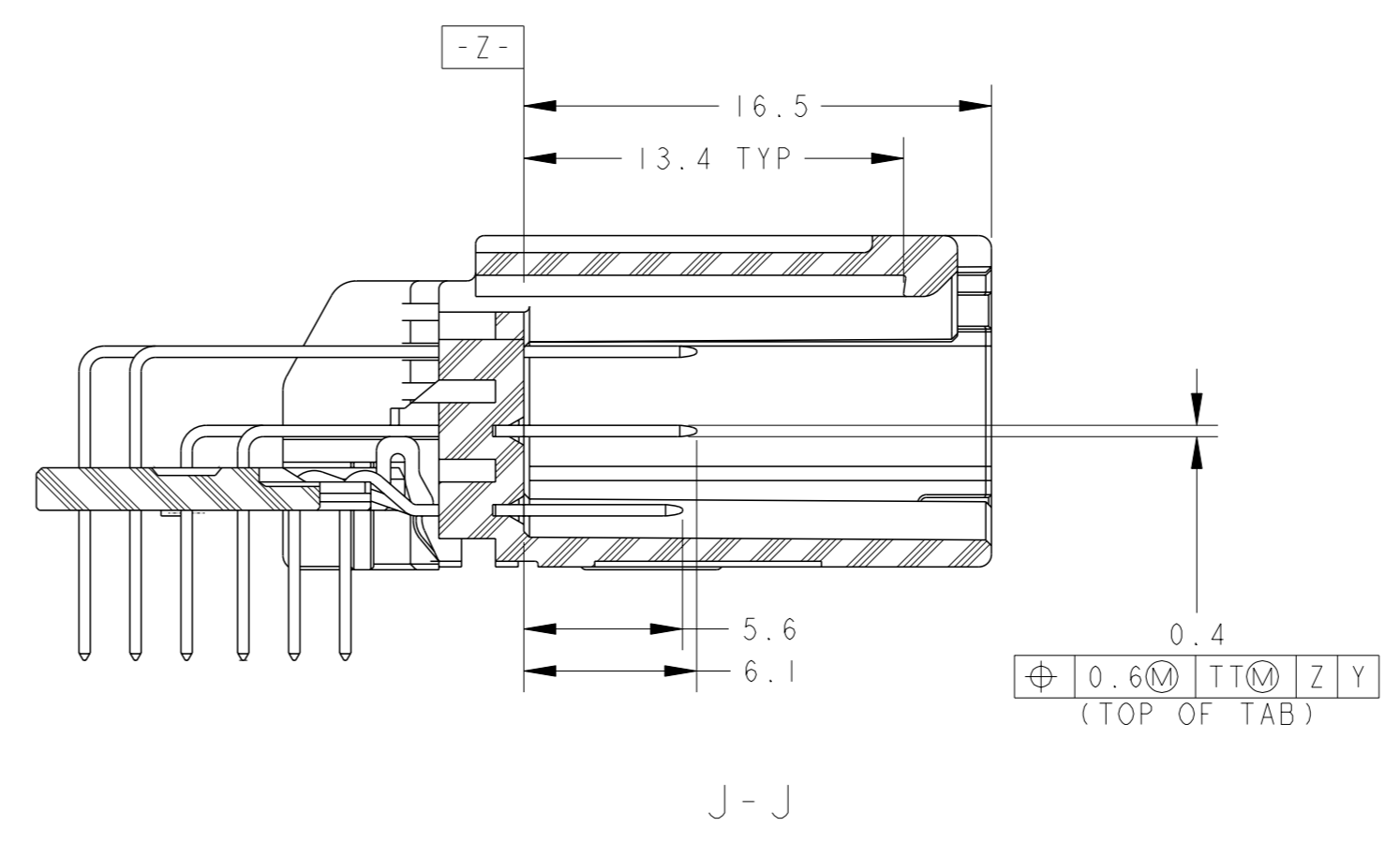
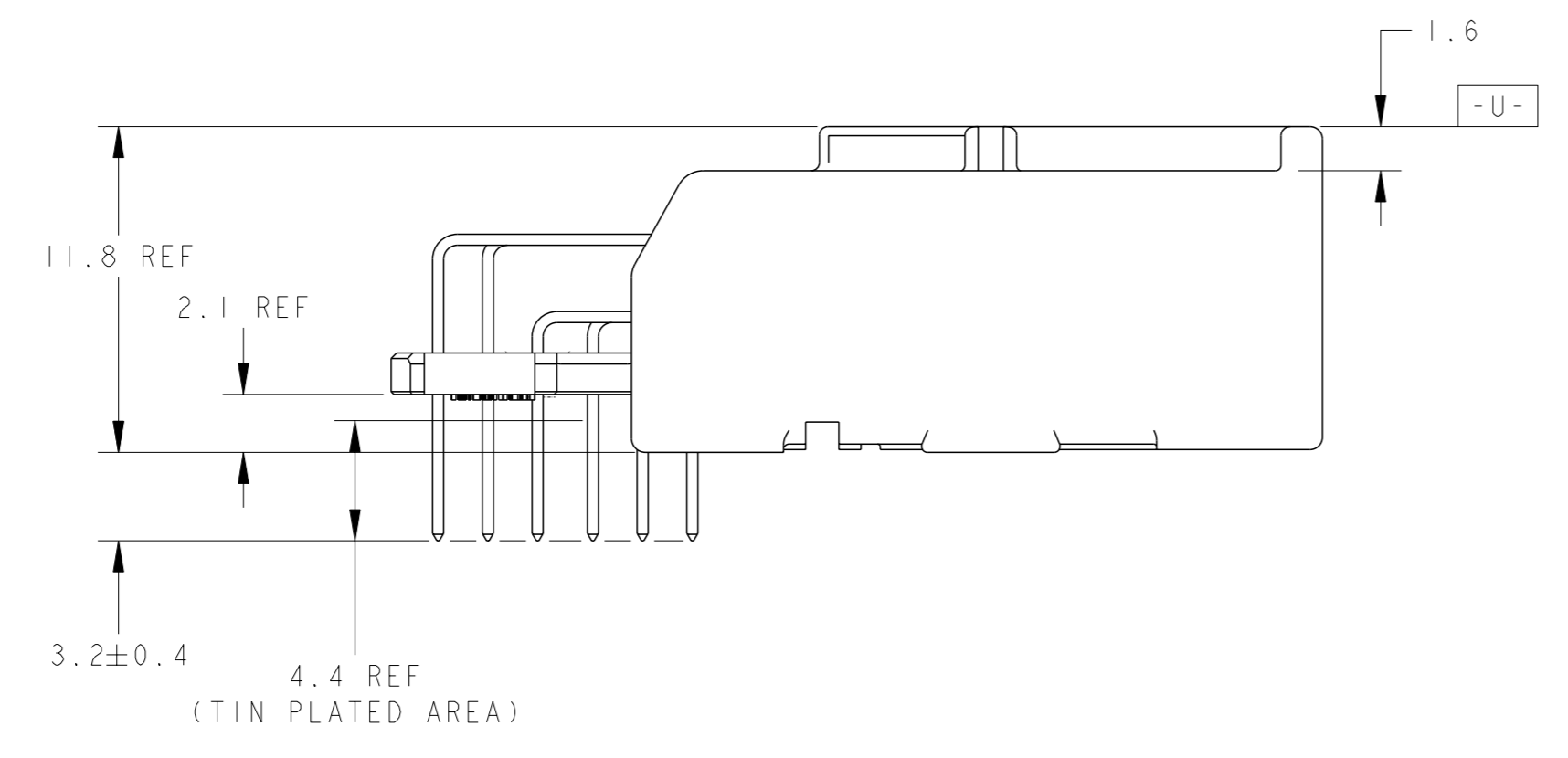
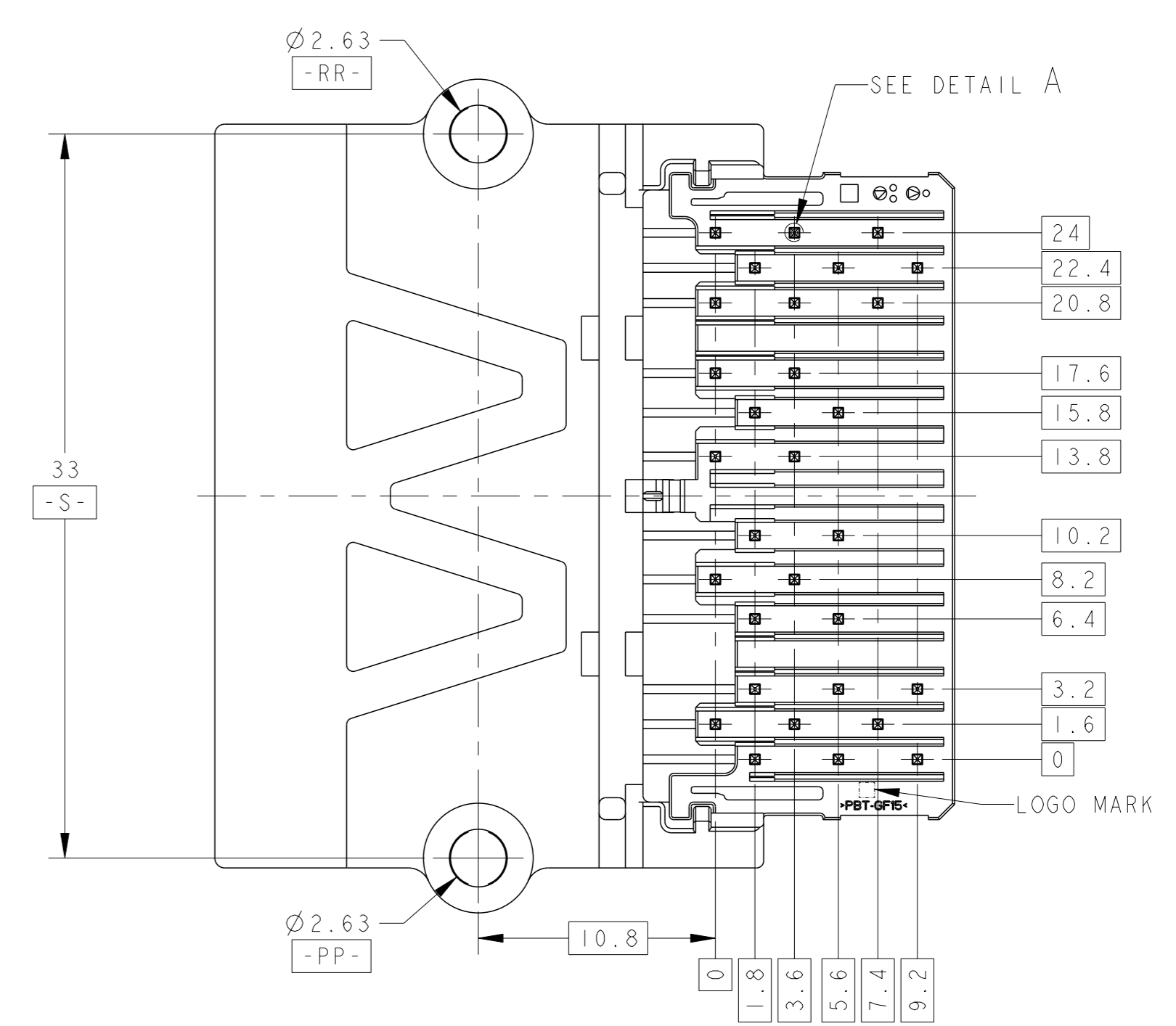
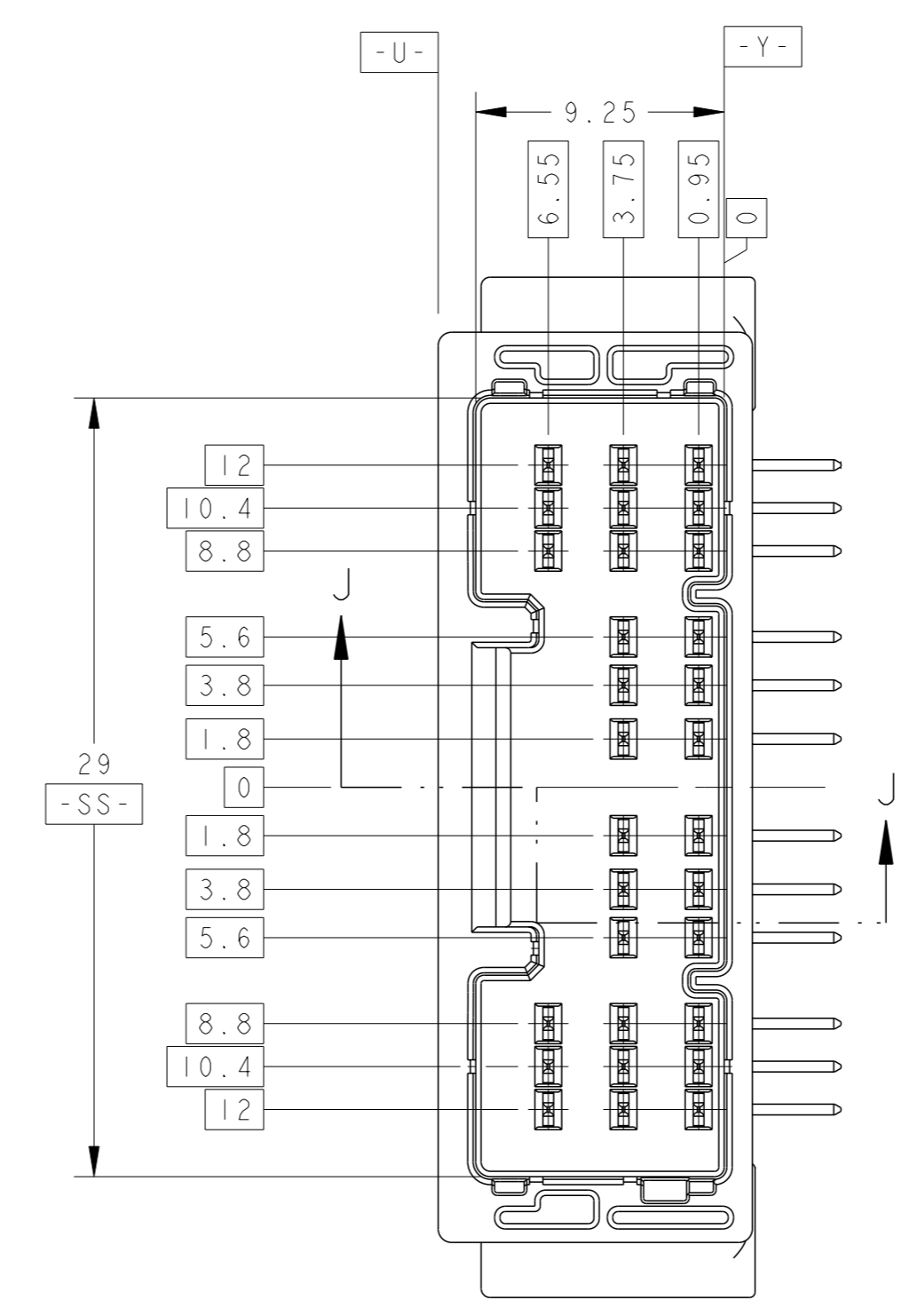
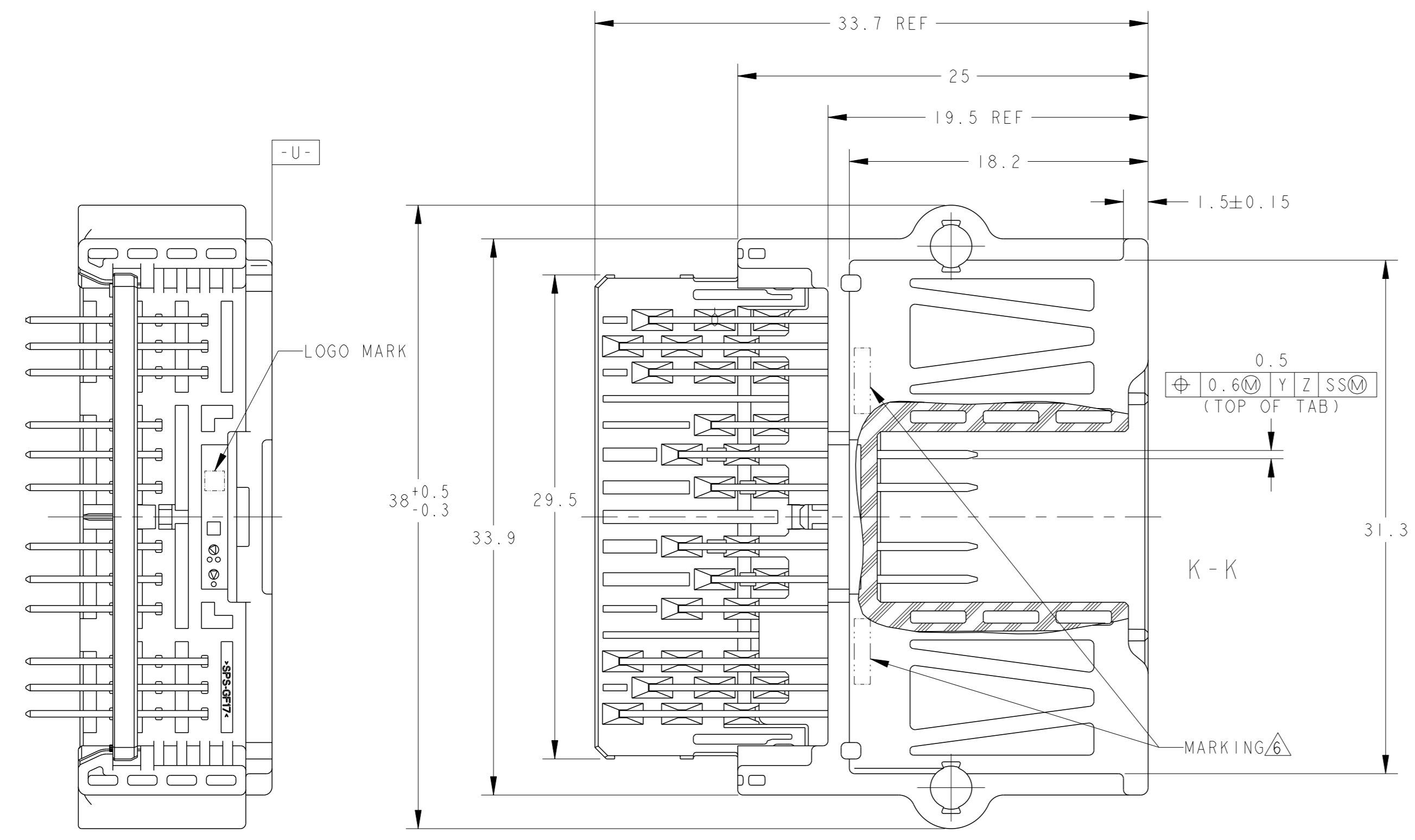


REVISIONS				
REV	DATE	DESCRIPTION	BY	CHK
A	24MAR08	RELEASED	KK	HY
B	21APR2010	REVISED	TS	KB
B1	11FEB2020	ECR-20-001927	V1	MT



1. 嵌合相手コネクタ品番: TABLE-1参照
2. 適用プリント基板: TABLE-2参照
3. 回路番号: FIG.1参照
4. メスコネクタが積層タイプであるため、ペア電線(CAN, ツイスト, 通信, シールド等)はグループA, B, Cをまたがないこと。FIG.2参照
5. 取扱説明書 No.: 411-78268
6. マーキングを表示(ID, D/C)
7. 推奨プリント基板: FIG.3参照
8. なじき付トルク(参考): 0.392N・m REF 但し、管理値は別途規定すること
9. CHFUS 0.5sq 電線および CAN(CPEX 0.22sq) 電線対応位置: FIG.1参照

1. MATING CONNECTOR PART No.: SEE TABLE-1
2. APPLICABLE PRINTED CIRCUIT BOARD; SEE TABLE-2
3. CIRCUIT No.: SEE FIG.1
4. HOUSING CONNECTOR FEMALE IS LAYERED. WHEN USE THE PAIR WIRE(EX. CAN, TWIST, COMMUNICATION, SHIELD ETC), IT SHALL NOT CROSS THE ROWS OF CONNECTOR WHICH ARE GROUP A~C. SEE FIG.2
5. INSTRUCTION SHEET: 411-78268
6. MARKING(ID, D/C)
7. RECOMMENDED PCB: SEE FIG.3
8. FASTENING TORQUE(FOR REFERENCE); 0.392N・m REF BUT TORQUE FOR OPERATION SHOULD BE PROVIDED RESPECTIVELY.
9. APPLICABLE CIRCUIT FOR "CHFUS 0.5sq WIRE" AND "CAN(CPEX 0.22sq) WIRE"; SEE FIG.1

TABLE-1

POS 極数	FEMALE HOUSING メスハウジング		
	ASSY P/N 代表品番	COLOR 色相	COMPONENT P/N 構成部品番
30	1903611-5	NATURAL 自然色	1903611-5
			1903608-4
			1903615-1
			1903614-1

TABLE-2

THICKNESS OF PCB (mm) プリント基板厚 (mm)		1.6
材質 MATERIAL		FR-4
NOMINAL LENGTH OF SCREW (mm) 固定用ねじ着下長さ (mm)		6

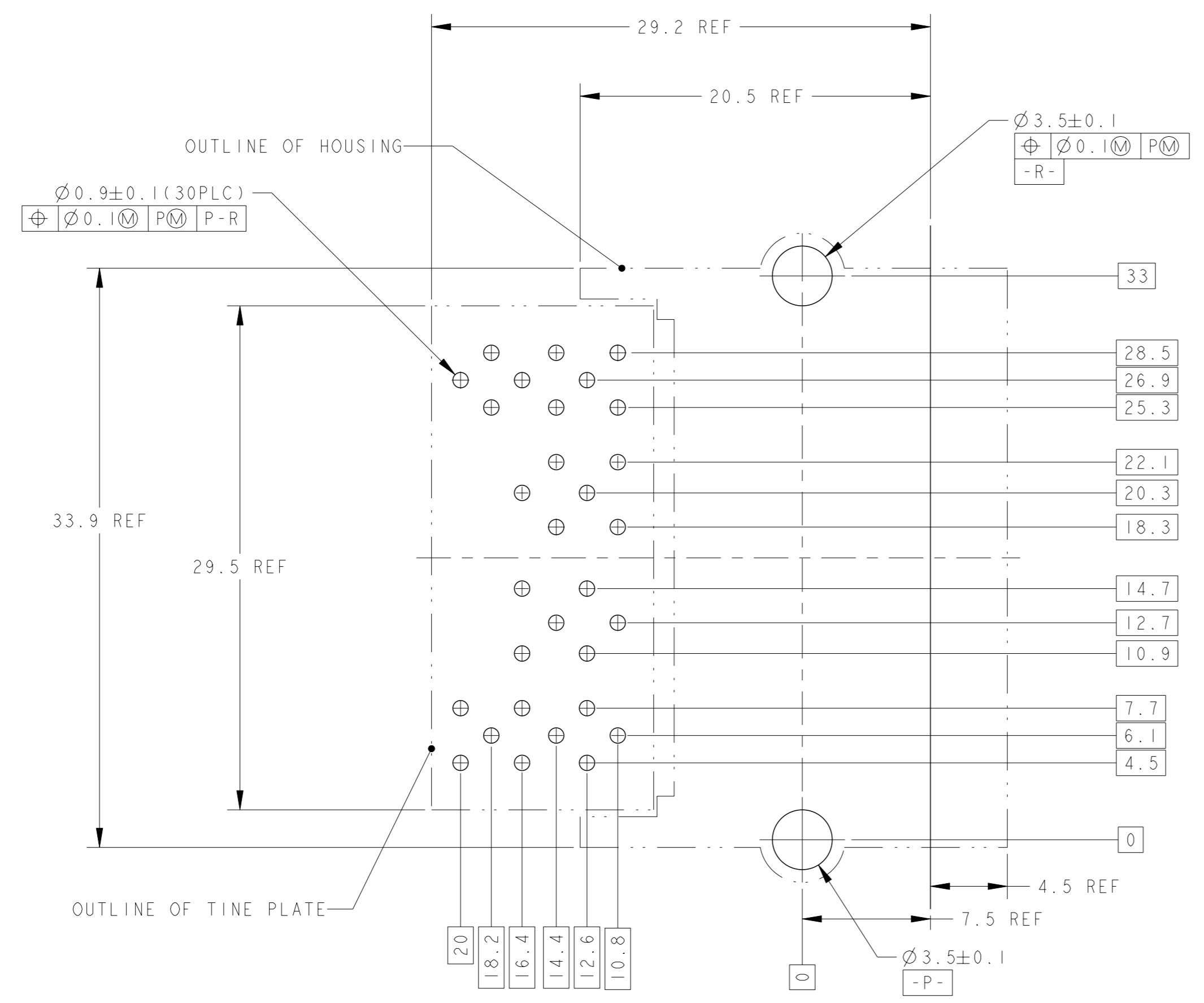
PAPER BOX 段ボール箱	PLASTIC TUBE プラスチックチューブ	SELECTIVE-TIN(MATTE) 部分半光沢すずめっき	SELECTIVE-TIN(BRIGHT) X 30 部分光沢すずめっき	BRASS 真鍮	PBT/NATURAL (自然色)	SPS/NATURAL (自然色)	1939440-1
OUTER 外表	INNER 内表	SOLDERING SIDE はんだ付け側	CONTACT SIDE 接点側	CONTACT コンタクト	TINE PLATE タインプレート	CAP HOUSING ハウジング	PART NO
PACKING STYLE 梱包形態		CONTACT FINISH 接点仕上げ		MATERIAL/COLOR 材料/色相			

THIS DRAWING IS A CONTROLLED DOCUMENT.

DIMENSIONS: mm	TOLERANCES UNLESS OTHERWISE SPECIFIED: ±0.3	OWN K. KATO	24MAR08
MATERIAL SEE TABLE	FINISH SEE TABLE	CHK S. AMEMIYA	24MAR08
		APVD H. YAMAGAMI	24MAR08
		PRODUCT SPEC	
		APPLICATION SPEC	
WEIGHT 5g		NAME 0.5 CONNECTOR DIP TYPE 30 POSITION CAP ASSEMBLY (SCREW-TYPE)	
CUSTOMER DRAWING		SIZE CAGE CODE DRAWING NO A100779	
SCALE 4:1		RESTRICTED TO	

TE Connectivity

REVISIONS				
P.	LY#	DESCRIPTION	DATE	OWN / APVD
-	-	SEE SHEET 1	-	-



推奨プリント基板取付寸法図  
RECOMMEND DIMENSION FOR P.C.B

FIG. 3

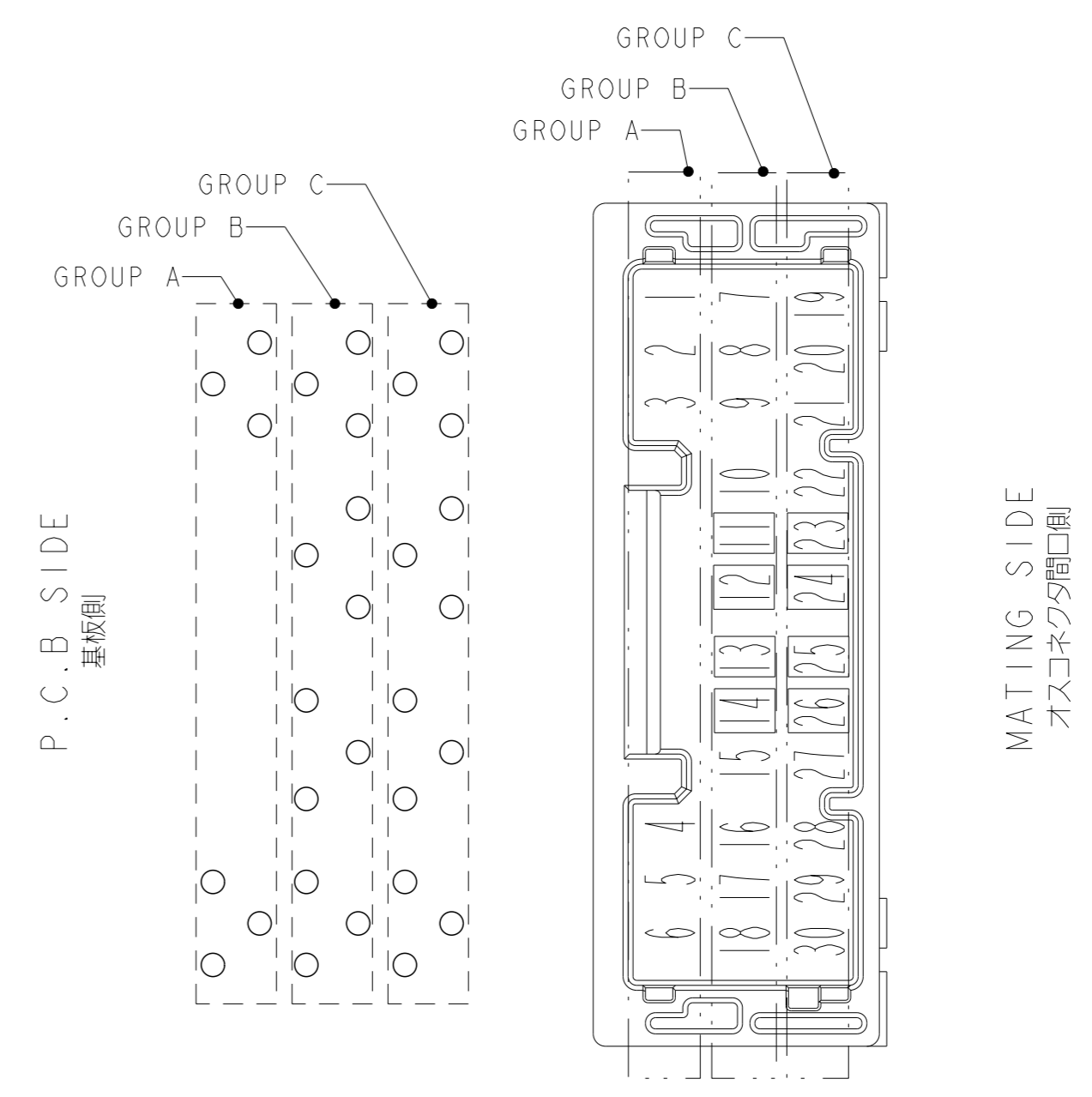


FIG. 2 GROUP

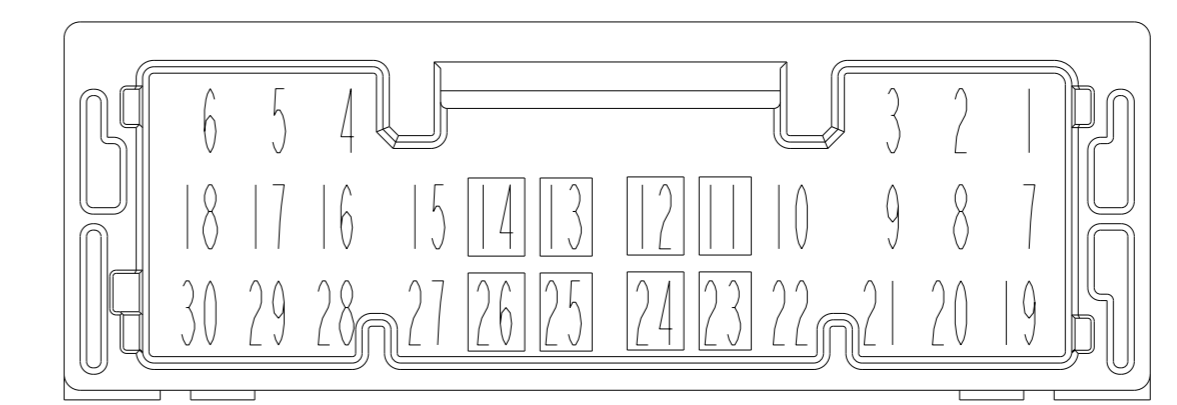


FIG. 1 CIRCUIT NUMBERS/回路番号  
(□:CHFUS0.5sq AND CAN 0.22sq APPL.)

THIS DRAWING IS A CONTROLLED DOCUMENT.		OWN K. KATO	24MAR08	<b>TE</b> TE Connectivity
DIMENSIONS: mm		CHK S. AMEMIYA	24MAR08	
TOLERANCES UNLESS OTHERWISE SPECIFIED: ±0.3		APVD H. YAMAGAMI	24MAR08	NAME 0.5 CONNECTOR DIP TYPE 30 POSITION CAP ASSEMBLY (SCREW-TYPE)
0-PLC ±0.5 1-PLC ±0.5 2-PLC ±0.5 3-PLC ±0.13 4-PLC ±0.001		PRODUCT SPEC 108-78437	APPLICATION SPEC	
MATERIAL SEE TABLE		FINISH SEE TABLE	WEIGHT 5g	SIZE A   00779   C=1939440
CUSTOMER DRAWING			SCALE 4:1	RESTRICTED TO SHEET 2 OF 2 REV B1