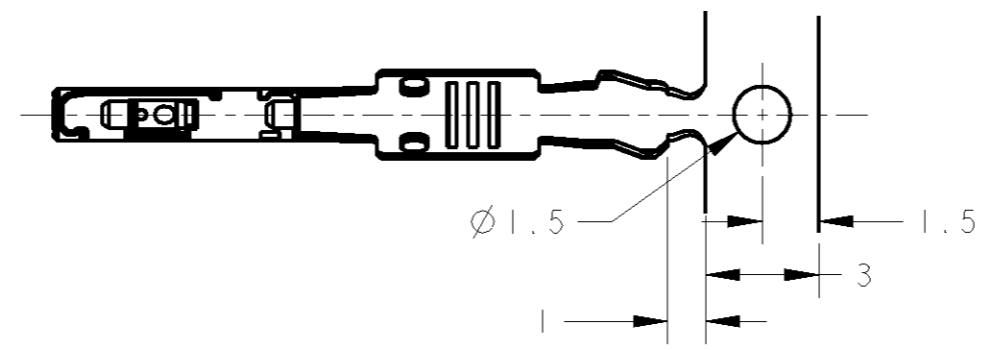
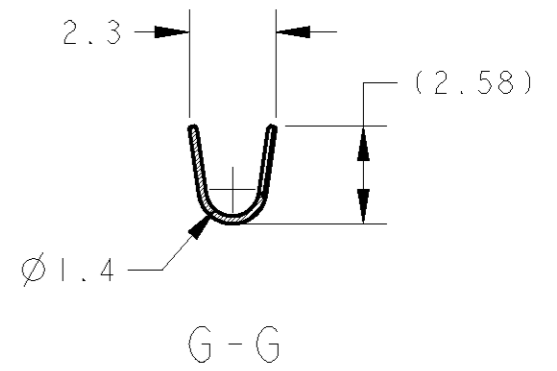
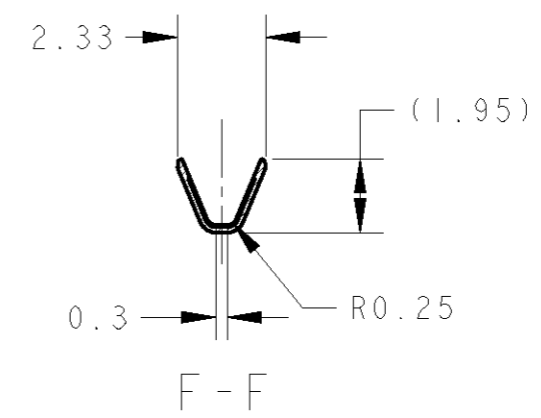
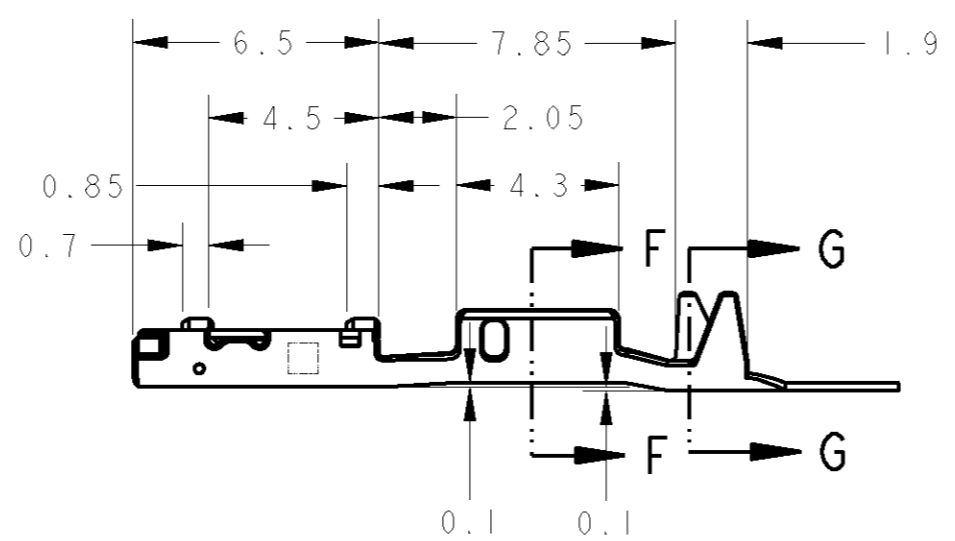
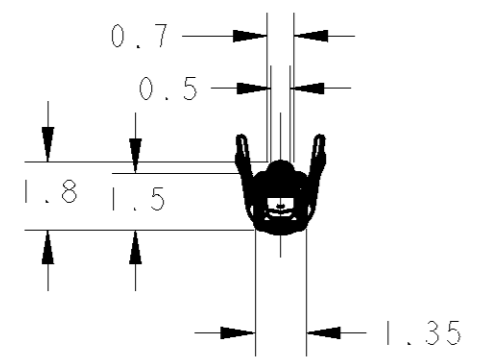


THIS DRAWING IS UNPUBLISHED. RELEASED FOR PUBLICATION 20
 © COPYRIGHT 20 BY TYCO ELECTRONICS CORPORATION. ALL RIGHTS RESERVED.

LOC	DIST	REVISIONS					
J	-	P	LTR	DESCRIPTION	DATE	DWN	APVD
		A		RELEASED	19MAR09	TA	HY

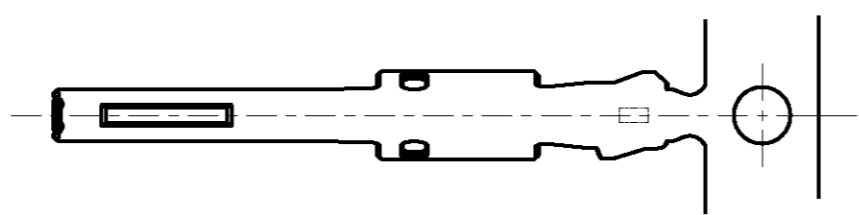


AS SHOWN: - 1
 本図: - 1



- 1. APPLICABLE WIRE RANGE:
 AESSX/AVSSH/AVSS 0.3~0.5mm²
- 2. APPLICATOR FEED: 7.5mm

- 1. 適用電線: AESSX/AVSSH/AVSS 0.3~0.5mm²
- 2. アプリケーター送りピッチ: 7.5mm



THIS DRAWING IS A CONTROLLED DOCUMENT FOR TYCO ELECTRONICS CORPORATION
 IT IS SUBJECT TO CHANGE AND THE CONTROLLING ENGINEERING ORGANIZATION
 SHOULD BE CONTACTED FOR THE LATEST REVISION.

DIMENSIONS: 単位: 英 mm	TOLERANCES UNLESS OTHERWISE SPECIFIED: 一般公差 ±0.3 0-PLC ± 1-PLC ±0.5 2-PLC ±0.13 3-PLC ±0.013 4-PLC ±0.001 ANGLES ±3'00"
----------------------------	---

MATERIAL 材料 Cu Alloy FINISH 仕上 PRE-TIN

DWN	T. AKIGUCHI	26NOV08
CHK	R. KOMIYAMA	26NOV08
APVD	H. YAMAGAMI	26NOV08
PRODUCT SPEC	108-78518	
APPLICATION SPEC	114-5400	
WEIGHT	0.16 g	

WIRE RANGE 相当電線断面積	0.37~0.56mm ²	INSULATION DIA 被覆外径	φ1.4~φ1.7
Tyco Electronics		Tyco Electronics Corporation Kawasaki, Japan	
NAME 名称 SEALED 0.50 RECEPTACLE CONTACT Sn			
SIZE	A3	CAGE CODE	00779
DRAWING NO	1939349		RESTRICTED TO
CUSTOMER DRAWING			SCALE 尺度 5:1 SHEET 1 OF 1 REV A