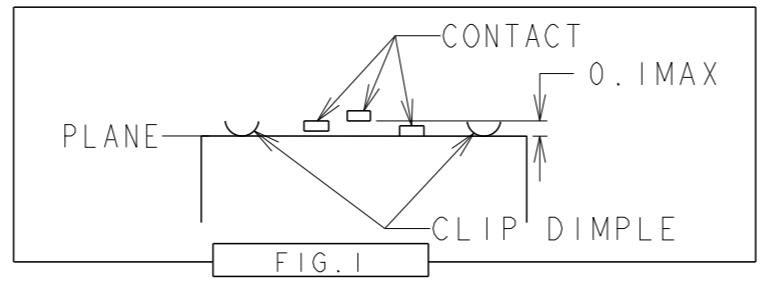
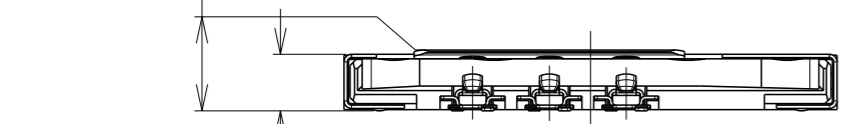
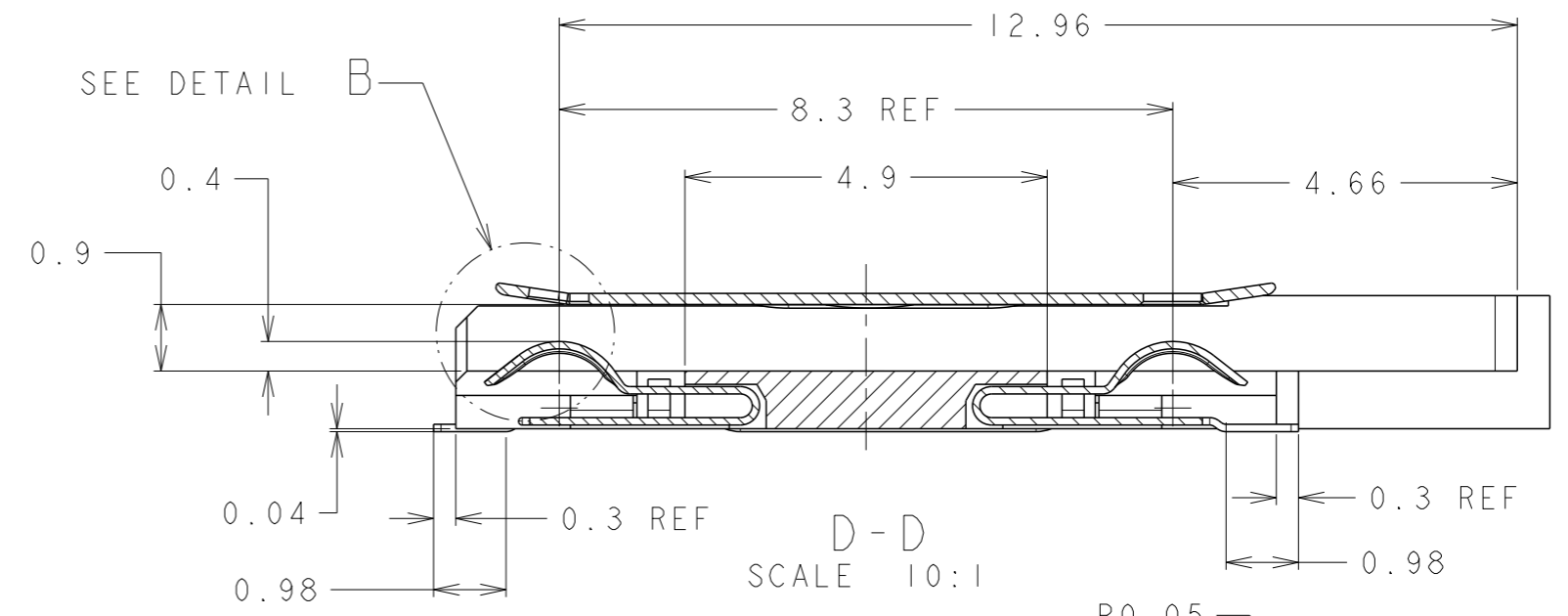
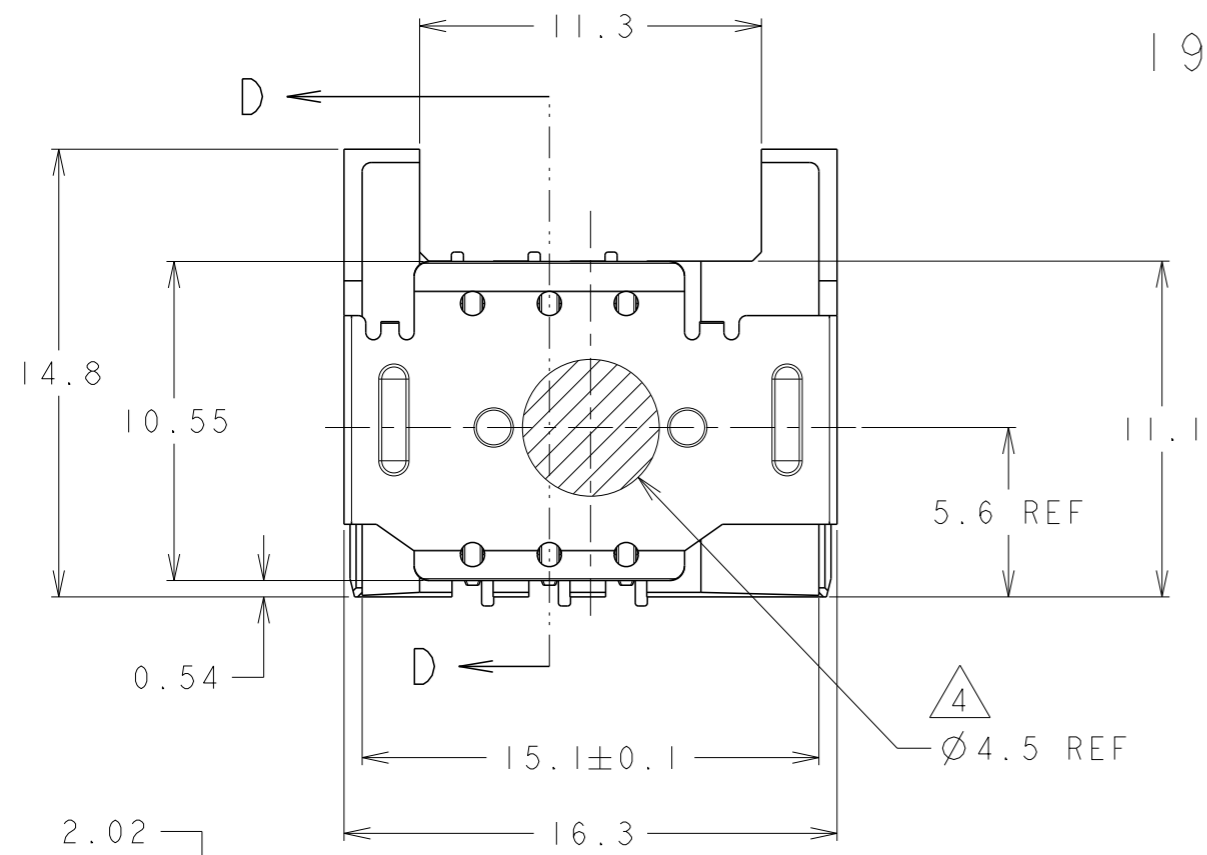


THIS DRAWING IS UNPUBLISHED. RELEASED FOR PUBLICATION 20  
 © COPYRIGHT 20 BY TYCO ELECTRONICS CORPORATION. ALL RIGHTS RESERVED.

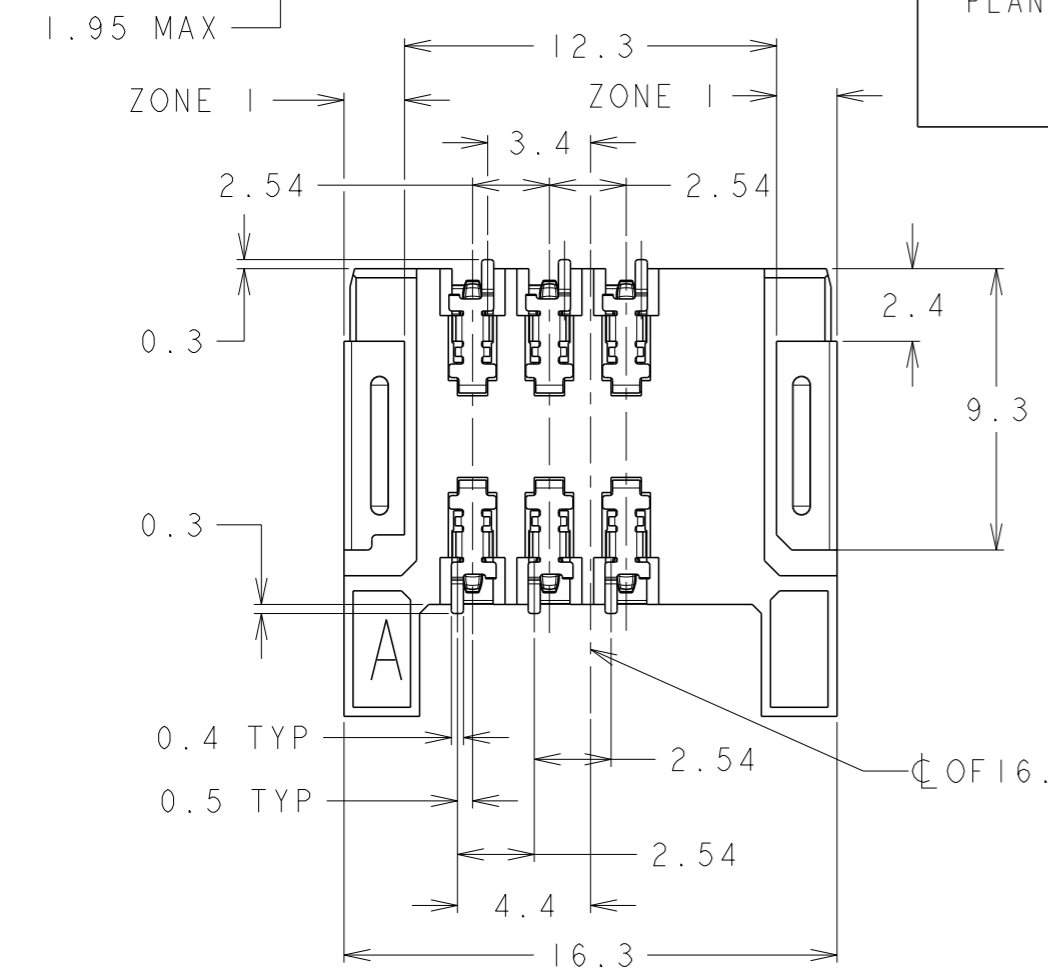
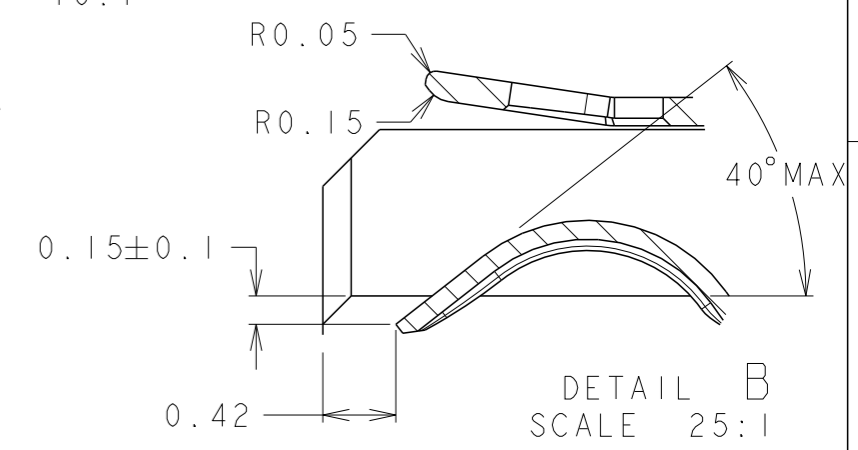
LOC ES DIST 00

REVISIONS					
P	LTR	DESCRIPTION	DATE	DWN	APVD
	A	INITIAL RELEASE	04MAY2011	S.W	S.Y
	B	REVISED	19JAN2012	S.W	S.Y
	BI	REVICED	12DEC2022	M.T	H.T

1932768-1: AS SHOWN



- CONTACT: COPPER ALLOY  
 ALL OVER Ni: 1.27um MIN.  
 CONTACT AREA PdNi: 1.0um MIN. Au: 0.2um MIN.  
 SOLDERING AREA Au: 0.05um MIN.
  - CLIP: SUS  
 ALL OVER Ni: 1.3um MIN.  
 Tin: 1um MIN(ZONE 1).
  - HOUSING: THERMOPLASTIC
- RECOMMENDED SOLDERING THICKNESS: 100um MIN.  
 RECOMMENDED SOLDERING AREA:  
 100% OF REFERENCE LAYOUT PATTERN
  - COPLANARITY: 0.1MAX. (SEE FIG.1)
  - REFERENCE PICK & PLACE AREA.



THIS DRAWING IS A CONTROLLED DOCUMENT FOR TYCO ELECTRONICS CORPORATION  
 IT IS SUBJECT TO CHANGE AND THE CONTROLLING ENGINEERING ORGANIZATION  
 SHOULD BE CONTACTED FOR THE LATEST REVISION.

DIMENSIONS:	TOLERANCES UNLESS OTHERWISE SPECIFIED:
mm	±0.15
	0 PLC ±
	1 PLC ±
	2 PLC ±
	3 PLC ±
	4 PLC ±
	ANGLES ±5°
MATERIAL	FINISH

DWN	3DEC2010
CHK	Sabrina Wang
APVD	3DEC2010
APVD	Wenke He
APVD	3DEC2010
APVD	Steven Yao
PRODUCT SPEC	
APPLICATION SPEC	108-115024
WEIGHT	0.46g

**STE** TE Connectivity

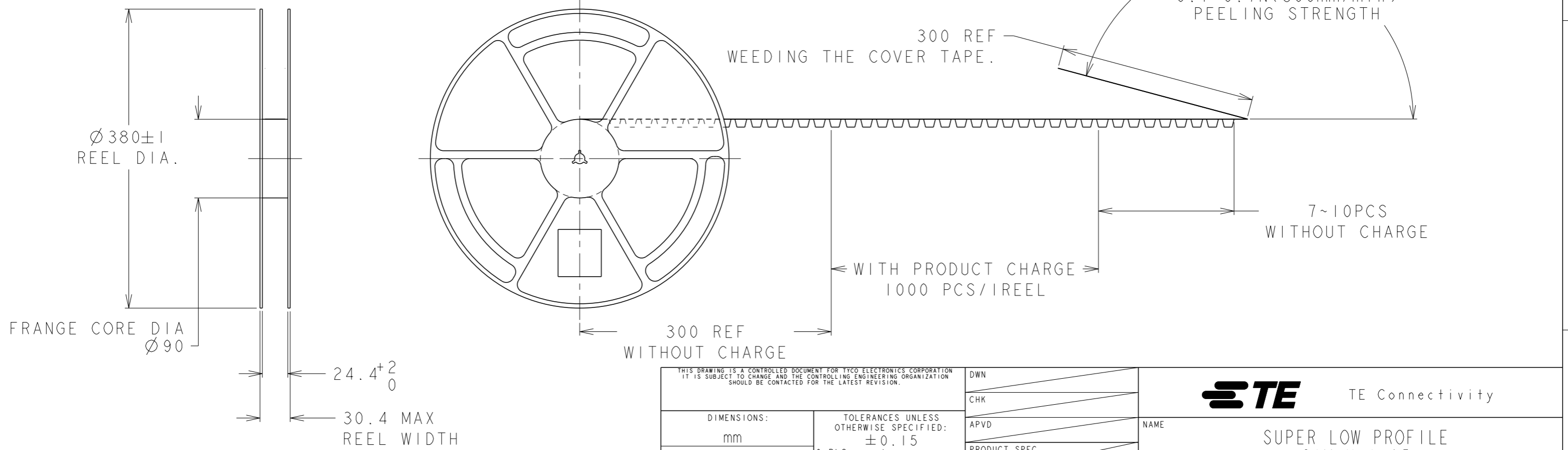
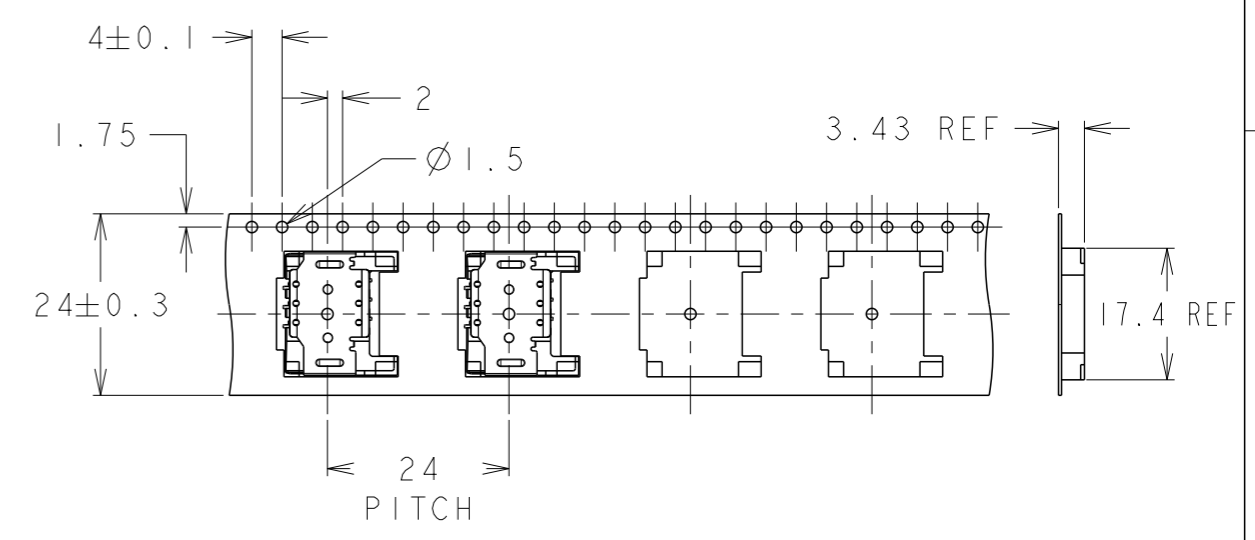
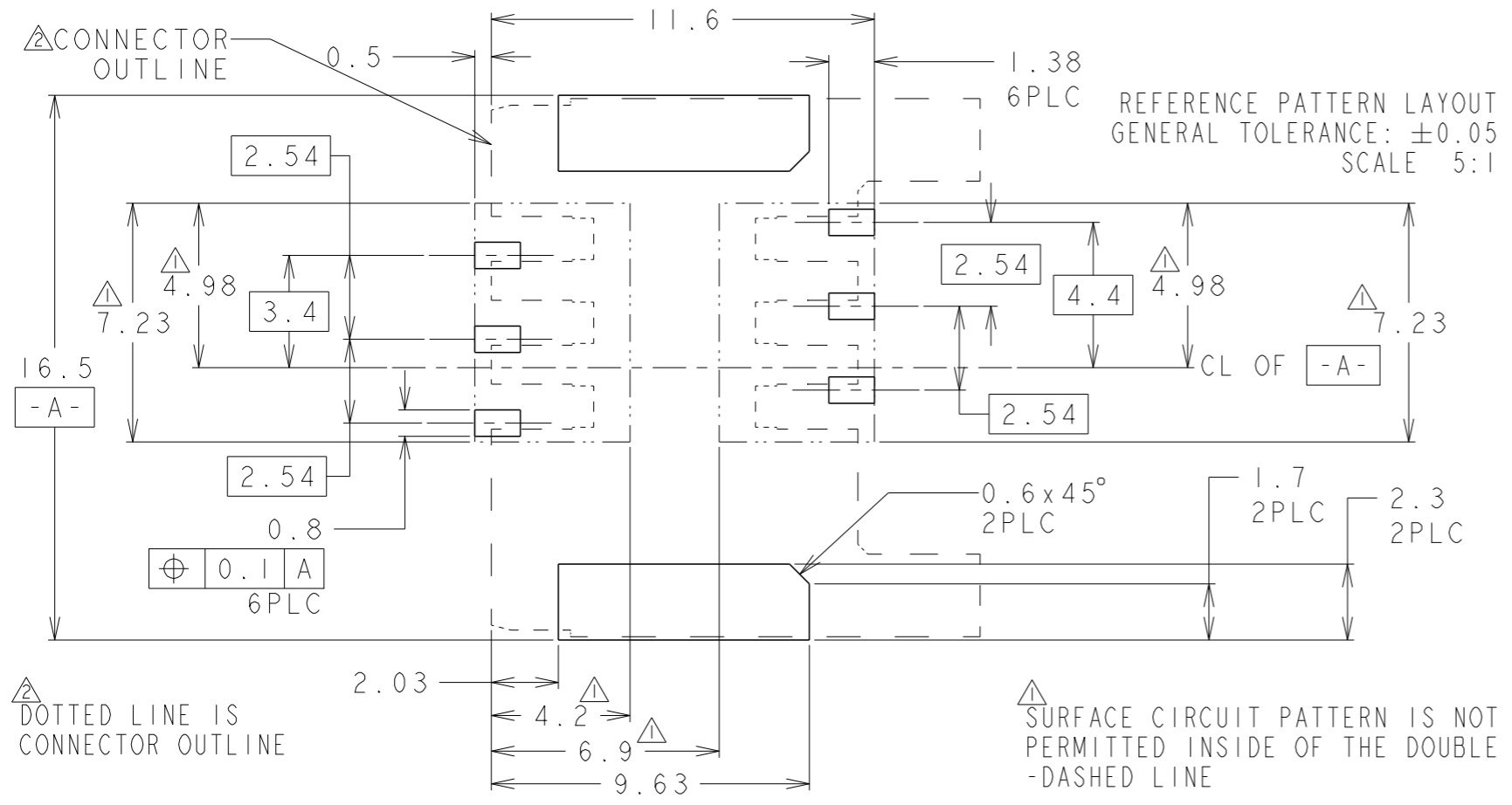
NAME: SUPER LOW PROFILE  
 SIM H=1.95  
 WITH FLANGE

SIZE	CAGE CODE	DRAWING NO	RESTRICTED TO
A300779	C=1932768		RTM

CUSTOMER DRAWING SCALE 4:1 SHEET 1 OF 2 REV BI

THIS DRAWING IS UNPUBLISHED. RELEASED FOR PUBLICATION 20  
 © COPYRIGHT 20 BY TYCO ELECTRONICS CORPORATION. ALL RIGHTS RESERVED.

LOC	DIST	REVISIONS			
P	LTR	DESCRIPTION	DATE	DWN	APVD
ES	00	-	SEE SHEET 1	-	-



THIS DRAWING IS A CONTROLLED DOCUMENT FOR TYCO ELECTRONICS CORPORATION IT IS SUBJECT TO CHANGE AND THE CONTROLLING ENGINEERING ORGANIZATION SHOULD BE CONTACTED FOR THE LATEST REVISION.		<b>STE</b> TE Connectivity	
DIMENSIONS: mm 		NAME SUPER LOW PROFILE SIM H=1.95 WITH FLANGE	
TOLERANCES UNLESS OTHERWISE SPECIFIED: ±0.15 0-PLC ± 1-PLC ± 2-PLC ± 3-PLC ± 4-PLC ± ANGLES ±5°		PRODUCT SPEC APPLICATION SPEC	
MATERIAL FINISH		SIZE CAGE CODE DRAWING NO A300779 C-1932768	
DWN CHK APVD WEIGHT		RESTRICTED TO RTM	
CUSTOMER DRAWING		SCALE 4:1 SHEET 2 OF 2 REV B1	