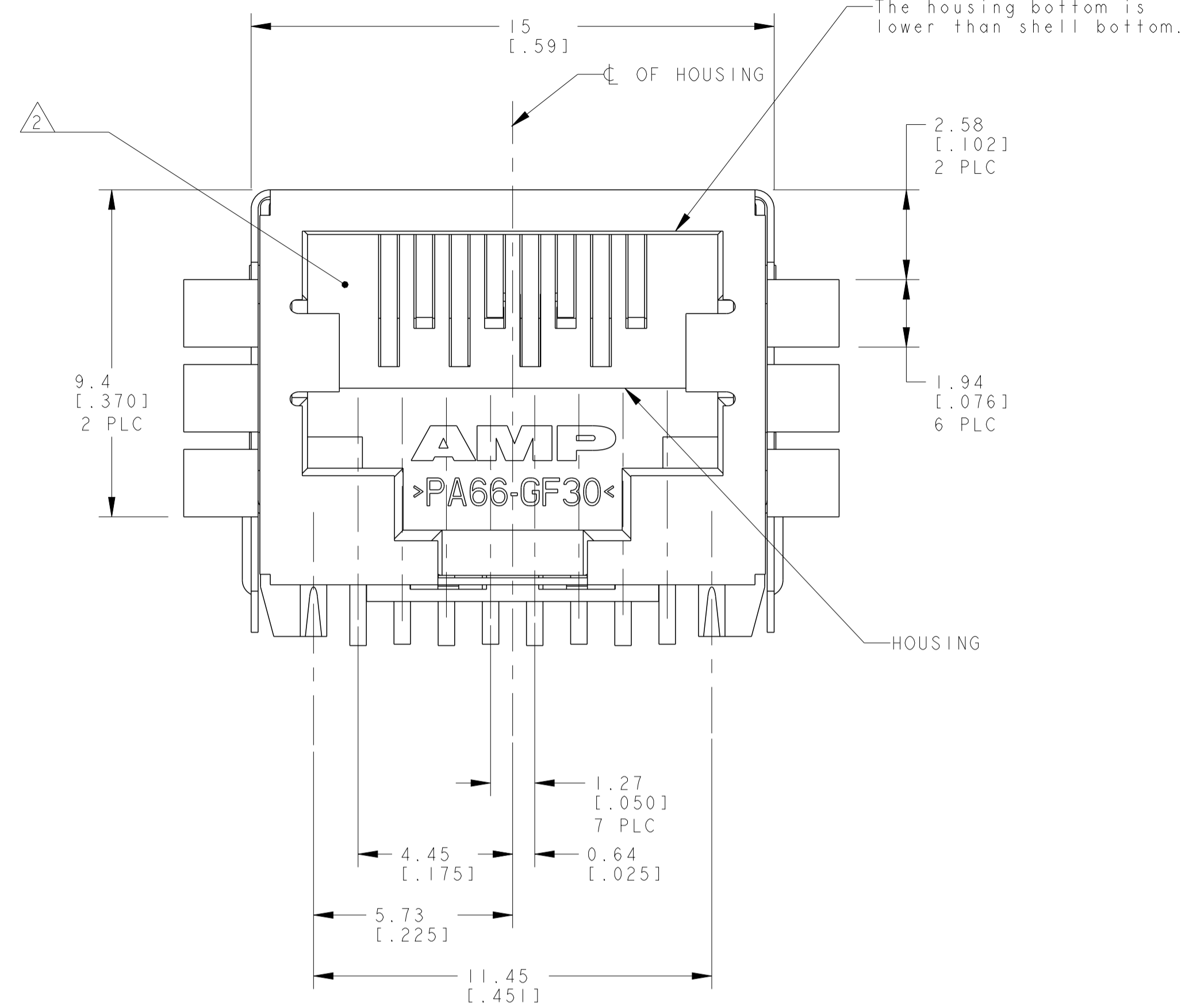
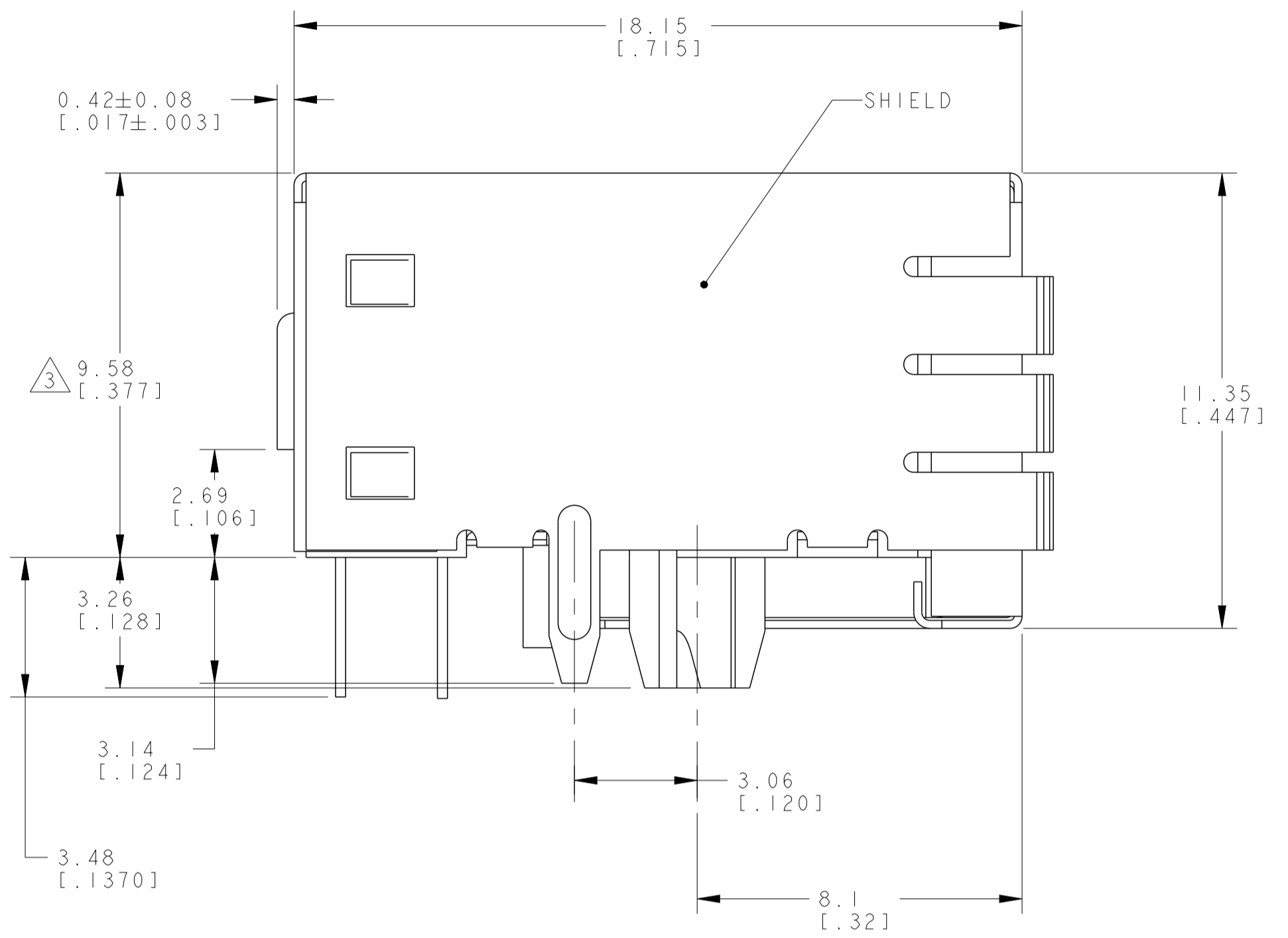
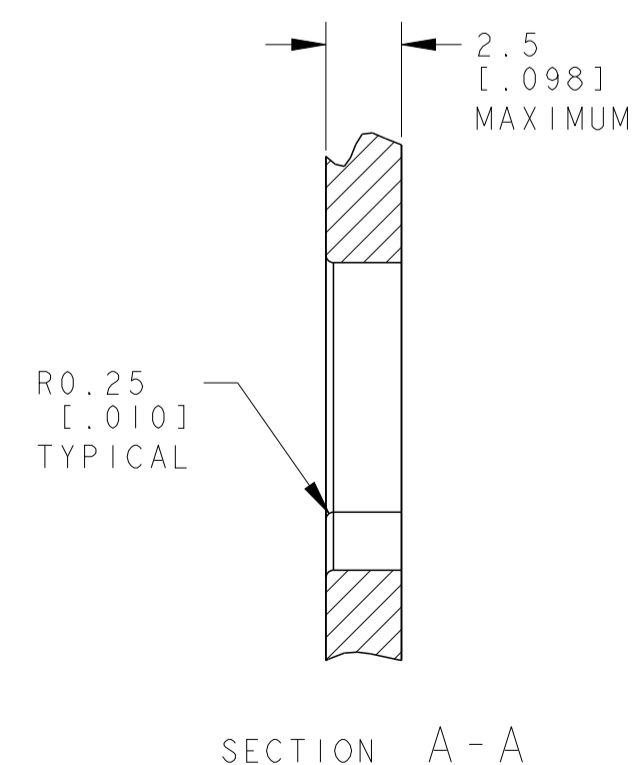
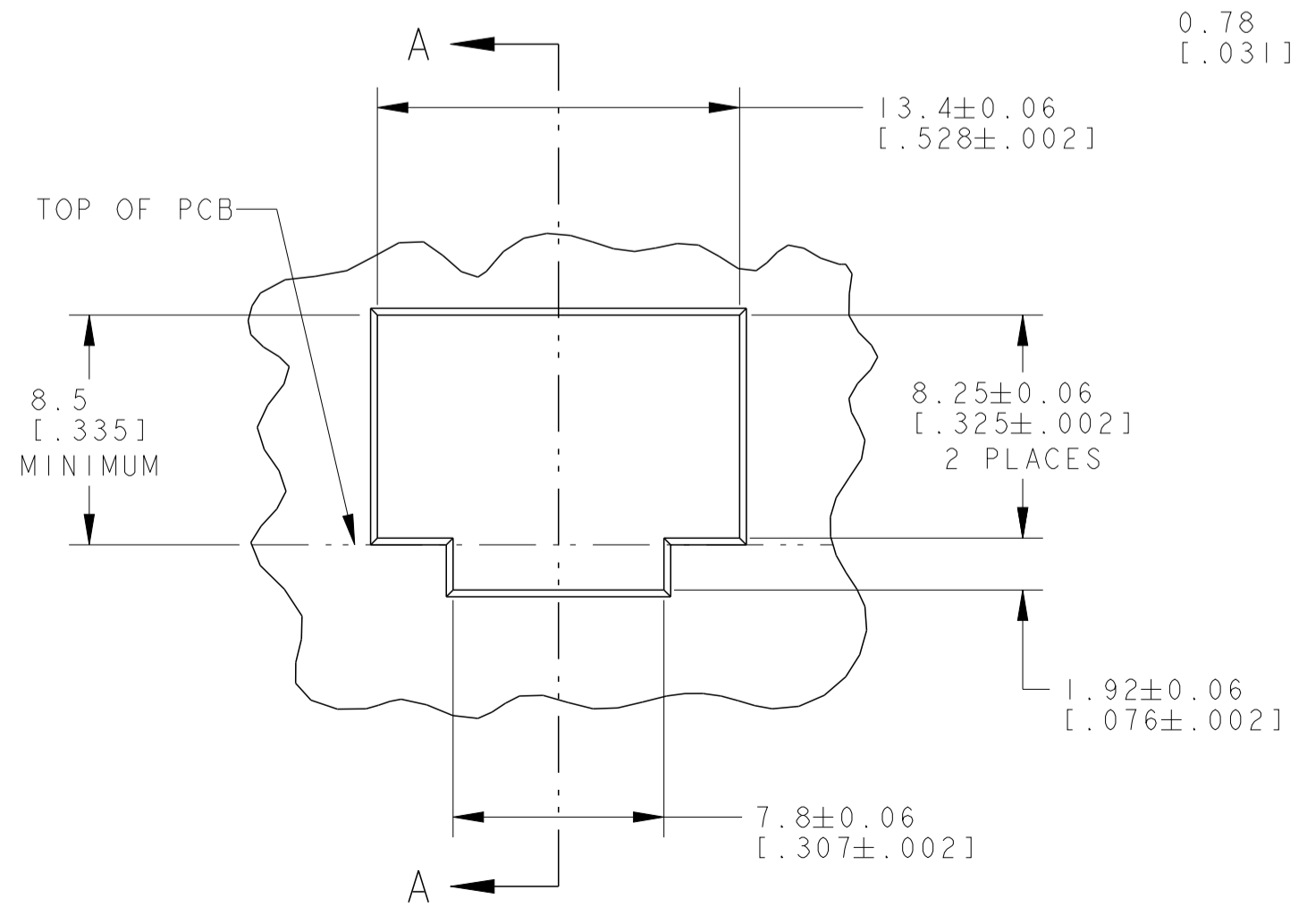
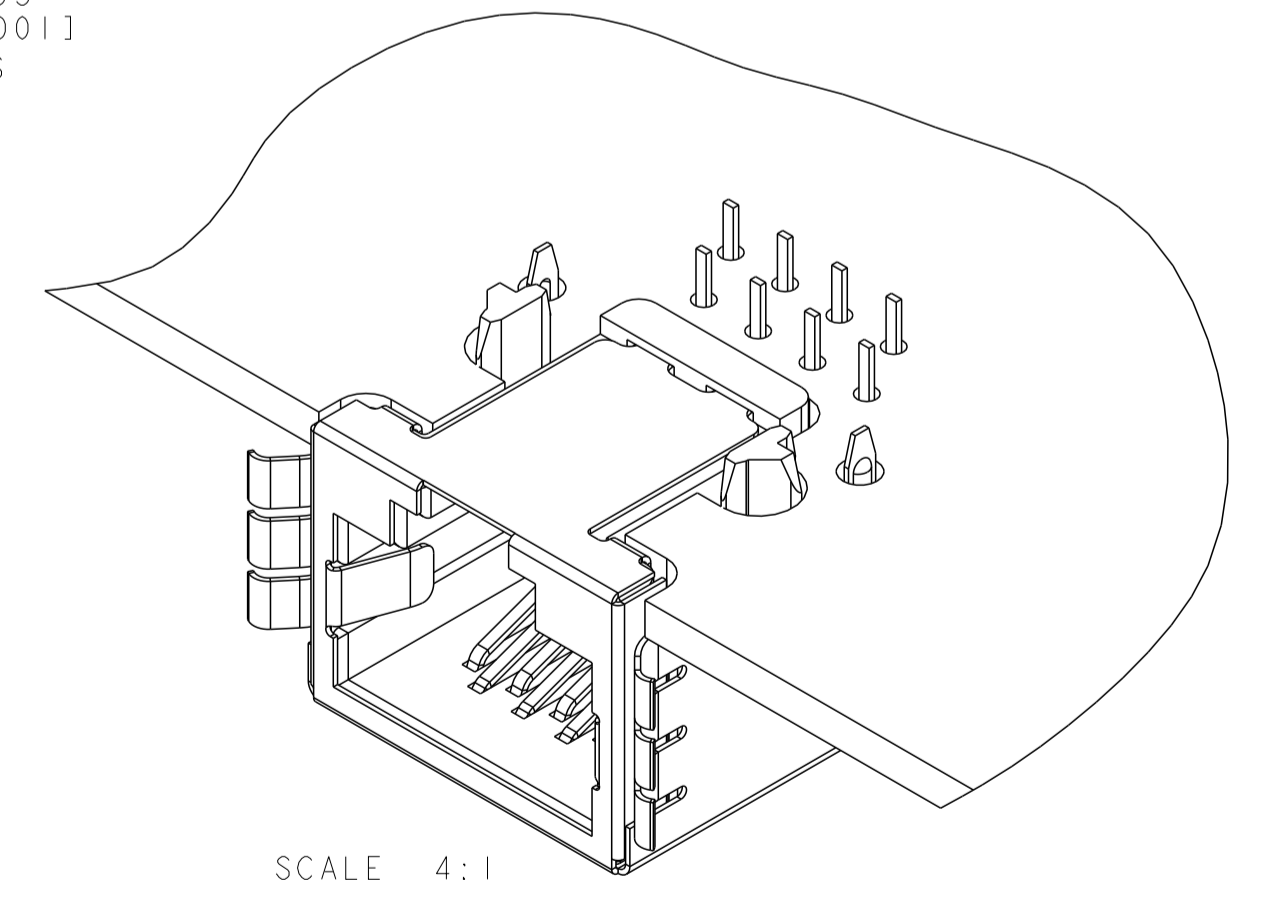
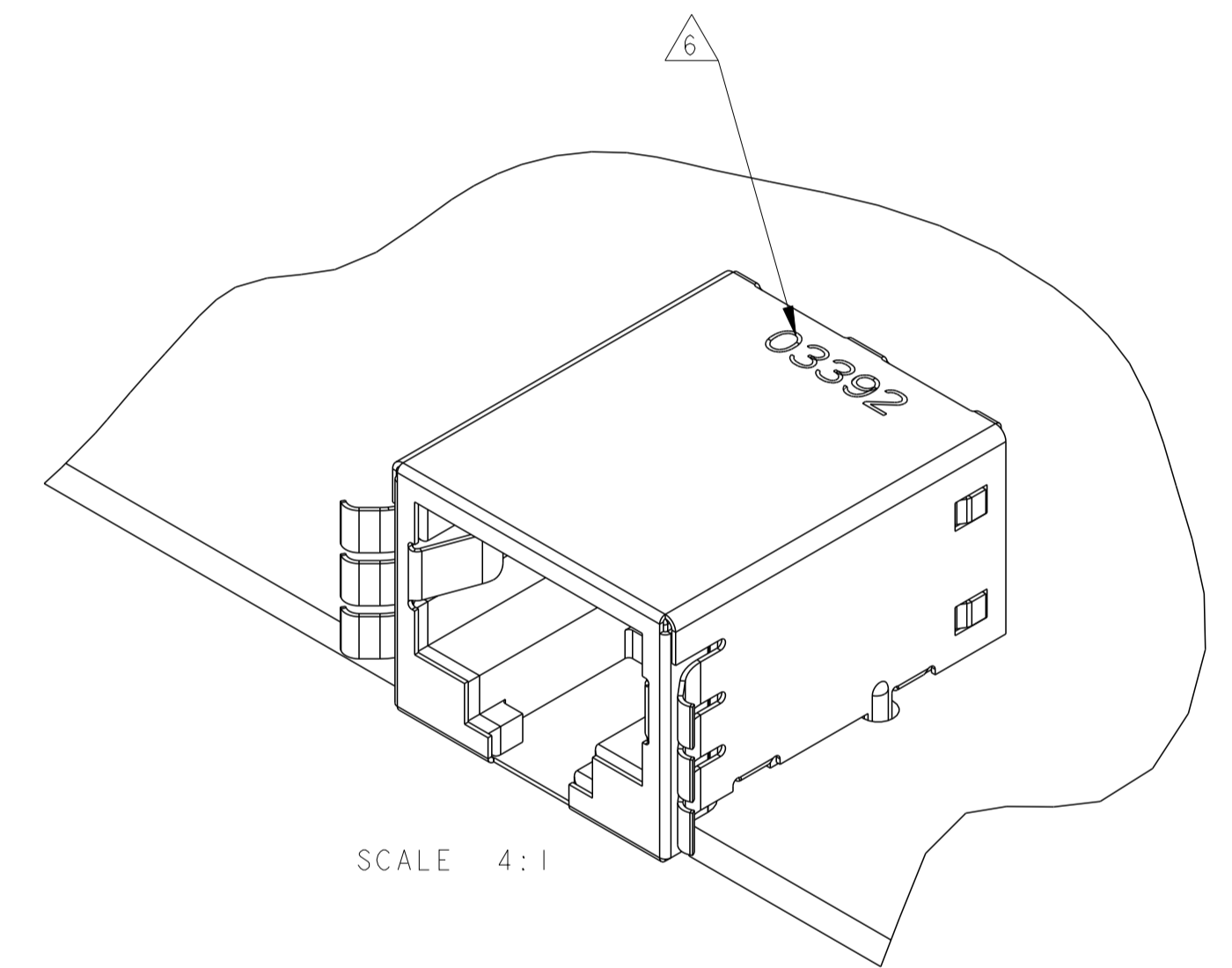
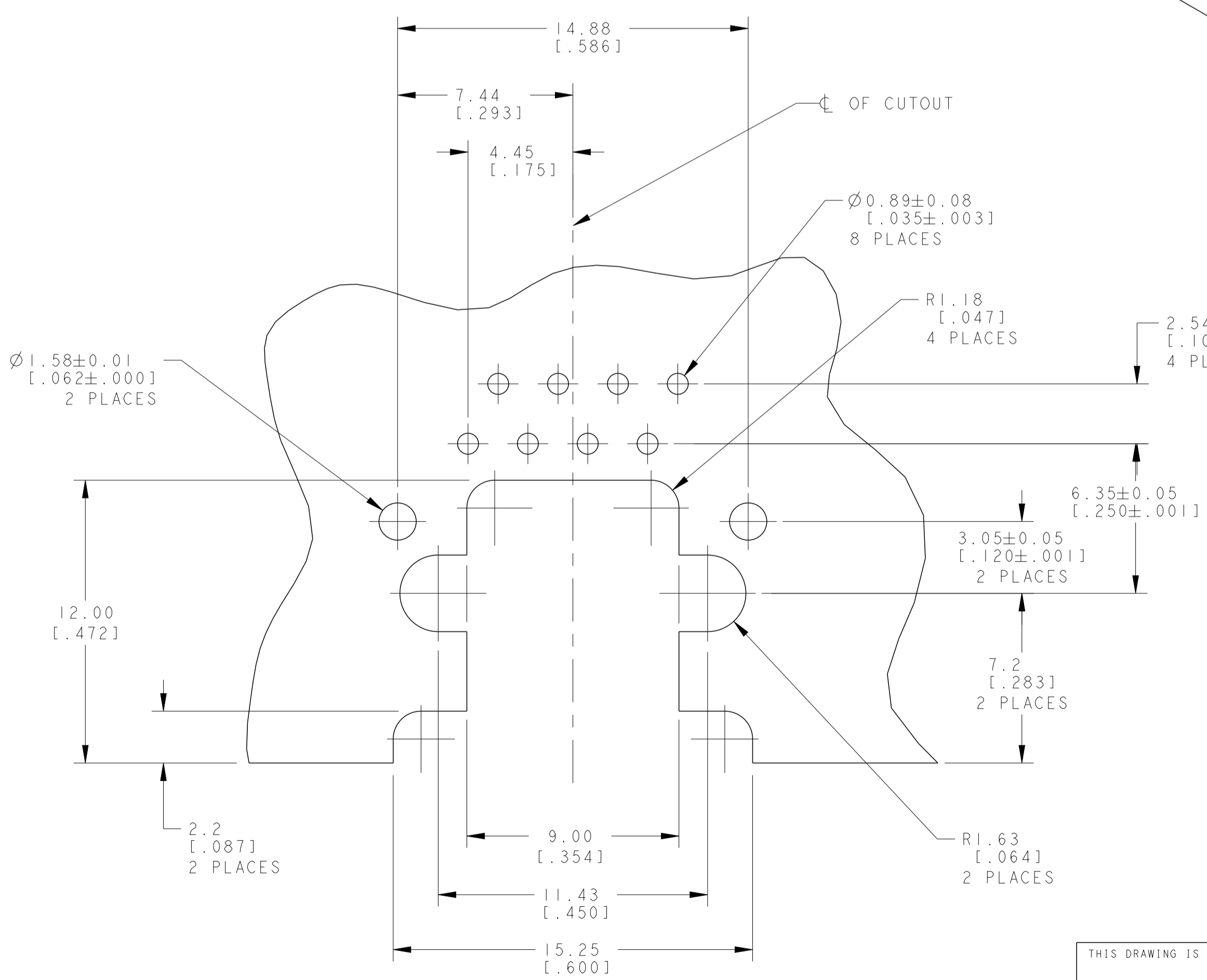
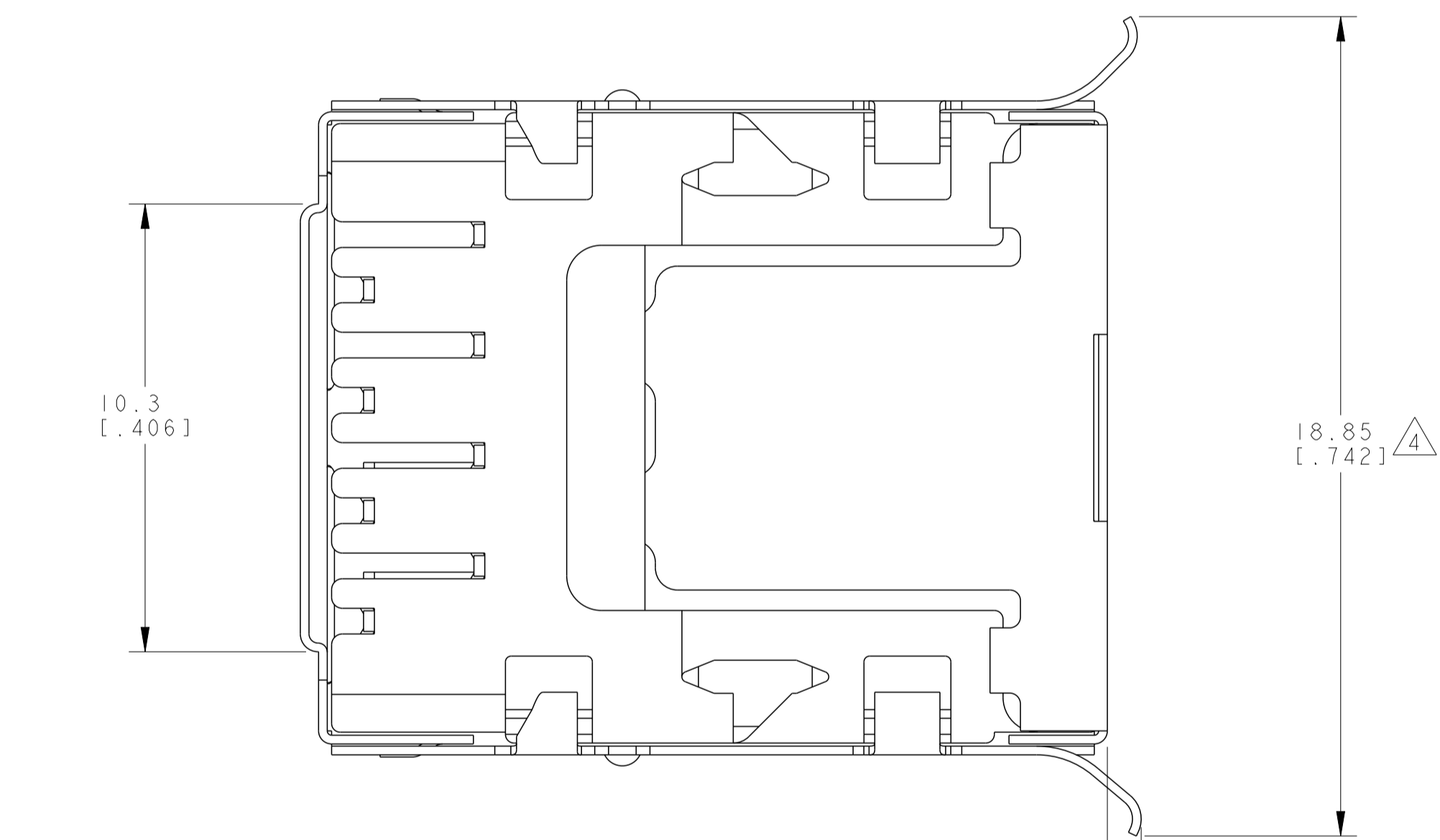


REVISIONS				
P	LTN	DESCRIPTION	DATE	APVD
B		REVISED PER ECO-14-015233	27APR2015	LL SH
BI		MODIFIED AS PER ECR-23-169440	05APR2023	KV HW



- 1 MATERIAL: HOUSING - HIGH TEMPERATURE NYLON, BLACK, UL 94V-0, IR REFLOW SOLDERING PROCESS COMPATIBLE. TERMINALS - 0.25[.010] THICK PHOSPHOR BRONZE PLATED WITH 3.81µm[.000150] MINIMUM THICK MATTE TIN IN SOLDER AREA, 1.27µm[.000050] MINIMUM GOLD IN LOCALIZED PLATE AREA. ENTIRE TERMINAL PLATED WITH 1.27µm[.000050] MINIMUM THICK NICKEL. SHIELD - 0.1[.0039] MIN THICK COPPER ZINC ALLOY, PREPLATED WITH 1.27µm[.000050]min THICK NICKEL AND HOT TIN DIP ON PCB GROUND TABS.
- 2 JACK CAVITY CONFORMS TO FCC RULES AND REGULATIONS PART 68, SUBPART F.
- 3 THIS DIMENSION REPRESENTS THE TOTAL HEIGHT OF THE CONNECTOR FROM THE TOP OF THE PC BOARD.
- 4 THIS DIMENSION HAS A MAXIMUM VALUE OF 20.50[.807] WHEN JACK IS INSTALLED BEHIND PANEL.
- 5. PACKAGED 66 ASSEMBLIES PER PVC TRAY, 396 PER BOX.
- 6 MANUFACTURING DATE CODE: ORIENTED AND LOCATED APPROXIMATELY AS SHOWN. LASER PRINTING. TEXT HEIGHT APPROXIMATELY 2MM. FIRST 2 DIGITS = LAST 2 DIGITS OF YEAR NEXT 2 DIGITS = MANUFACTURING WORK WEEK LAST DIGIT = DAY OF WEEK WITH SUNDAY = 1



SUGGESTED PRINTED CIRCUIT BOARD LAYOUT COMPONENT SIDE SCALE 6:1

THIS DRAWING IS A CONTROLLED DOCUMENT.		OWN: RINSEN_SUN 28MAY2010	1932626-1
DIMENSIONS: mm [ INCHES ]		CHK: SUNY_ZHAO 28MAY2010	MATERIAL / FINISH
TOLERANCES UNLESS OTHERWISE SPECIFIED:		APVD: STEVEN_YAO 28MAY2010	PART NUMBER
0 PLC ±	1 PLC ±	PRODUCT SPEC	108-1163
2 PLC ±	3 PLC ±	APPLICATION SPEC	114-2048
4 PLC ±	ANGLES ±	WEIGHT	3.49 grams
MATERIAL: SEE P/N TABLE		FINISH: SEE P/N TABLE	SIZE: A1
CUSTOMER DRAWING		SCALE: 8:1	SHEET 1 OF 1