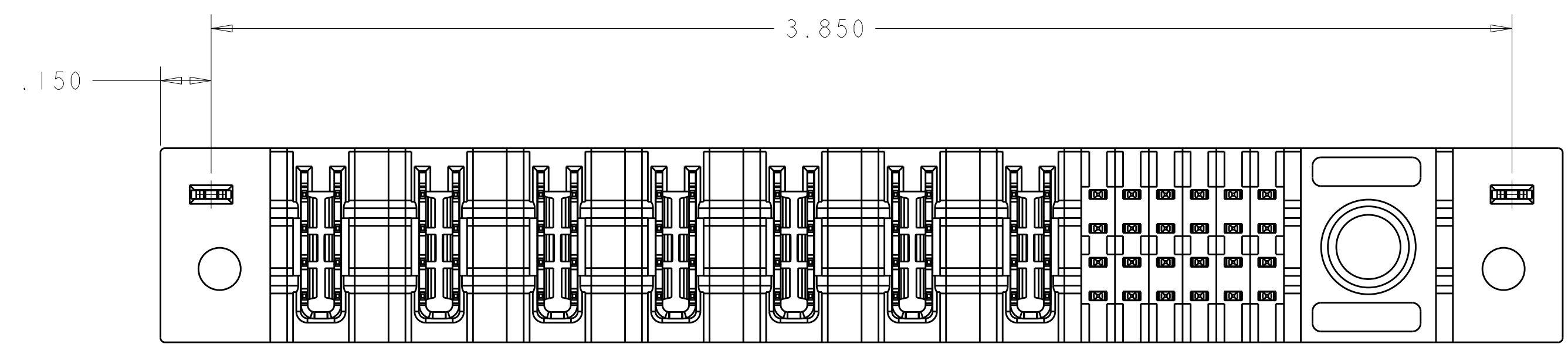
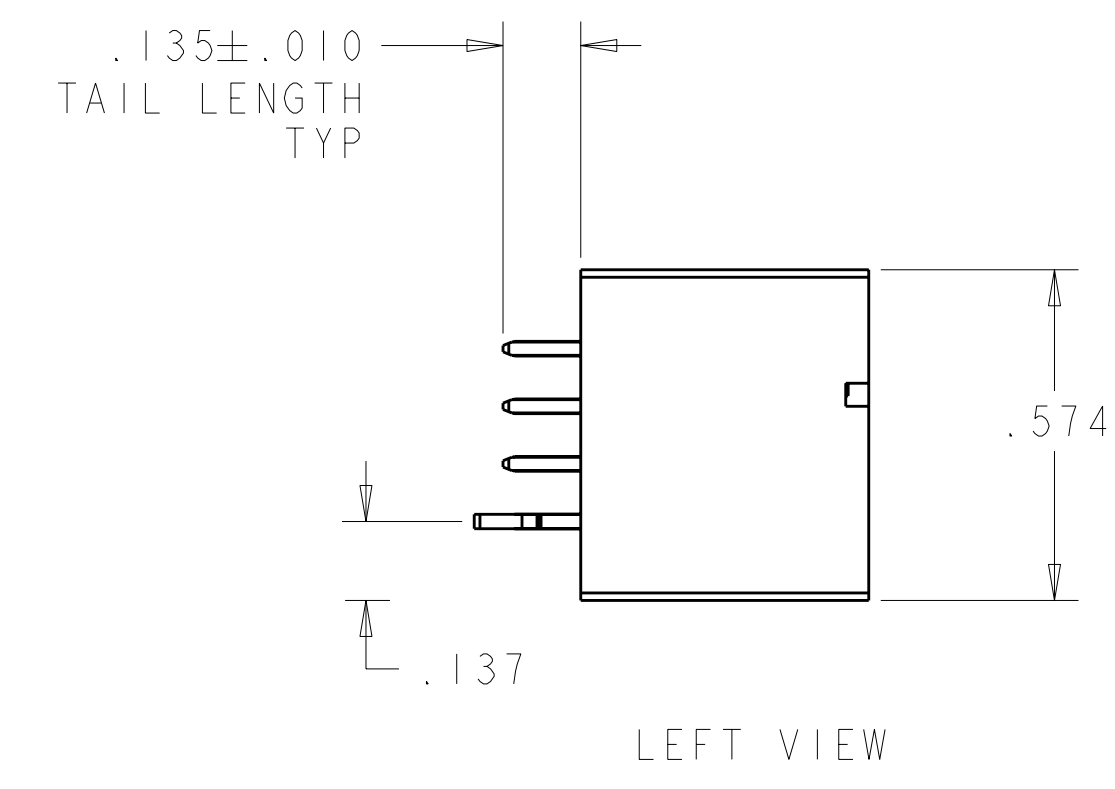
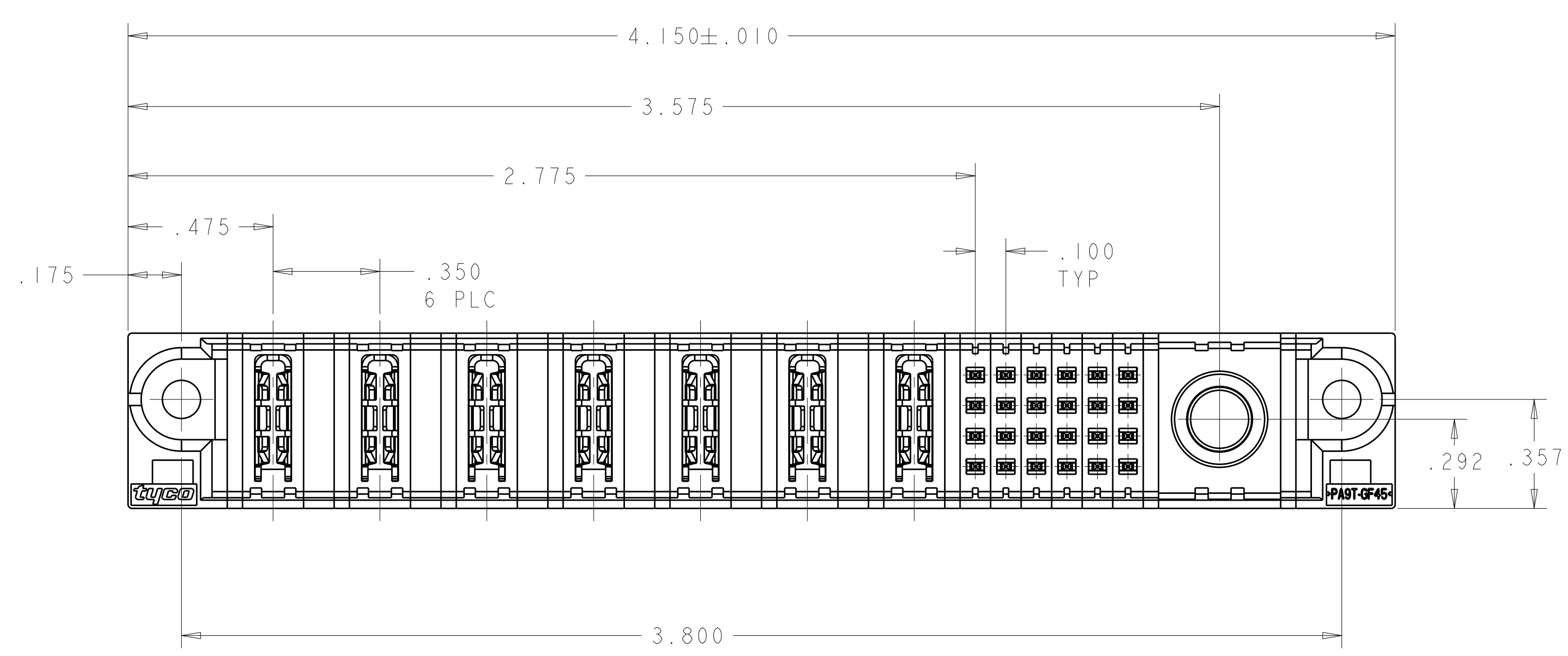
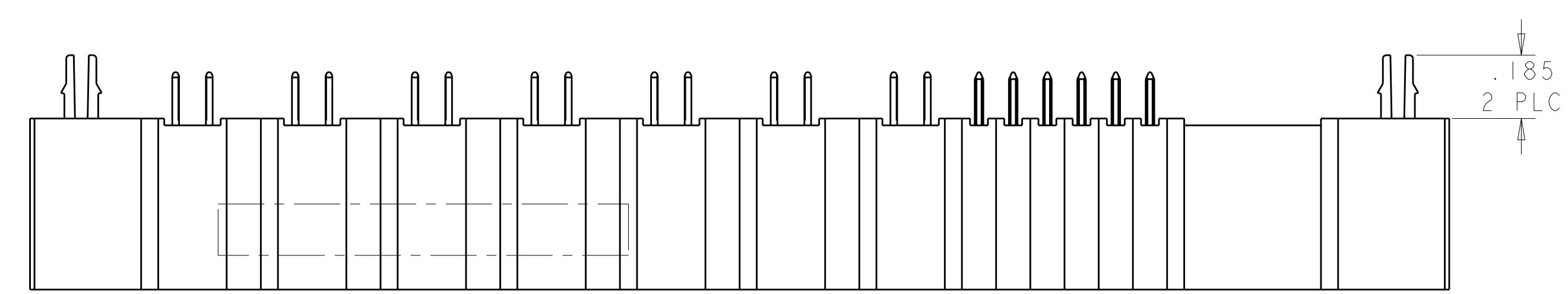


LOC	DIST	REV	DESCRIPTION	DATE	DWN	APVD
-	-	A	ECR PER ECR-07-03068	19DEC2007	HL	SY



- 1. HEADER HOUSING: THERMO PLASTIC, BLACK, UL94 V-0; CONTACTS AND RETENTION CLIPS: COPPER ALLOY.
- 2. PIN CONTACTS: .000030 MIN GOLD IN MATING AREA, .000100 MIN TIN ON POST AREAS, BOTH OVER .000050 MIN NICKEL.  
POWER CONTACTS: .000030 MIN GOLD IN MATING AREA, .000100 MIN TIN ON POST AREAS, BOTH OVER .000050 MIN NICKEL.  
RETENTION CLIP: .000115 MIN TIN.
- 3. "AMP", PART NUMBER AND DATE CODE MARKED IN THIS AREA. PARTS UNDER 2.50 LONG MAY BE MARKED ON BOTH SIDES.
- 4. DATUM AND BASIC DIMENSIONS ESTABLISHED BY CUSTOMER.
- 5. PCB - ALL HOLE DIAMETERS ARE FINISHED HOLE SIZES.
- 6. MECHANICAL CONNECTOR KEEP OUT ZONE.



7ACP + 24S + IRF	1932045-1
DESCRIPTION	PART NUMBER

DIMENSIONS: INCHES 		TOLERANCES UNLESS OTHERWISE SPECIFIED: 9 PLC ± 8 PLC ± 5 PLC ± 4 PLC ± ANGLES ±		DWN: S. ZHAO 200C12007 CHK: S. ZHAO 200C12007 APVD: S. YAO		Tyco Electronics Corporation Shanghai, P.R.China, 200233	
MATERIAL: - FINISH: -		PRODUCT SPEC: 108-1973 APPLICATION SPEC: 114-13038		NAME: VERTICAL HEADER ASSEMBLY W/ GUIDES AND COAX MODULE MULTI-BEAM XL		SIZE: A   00779   C=1932045	
CUSTOMER DRAWING		WEIGHT: -		SCALE: 1:1		SHEET 1 OF 2 REV A	

