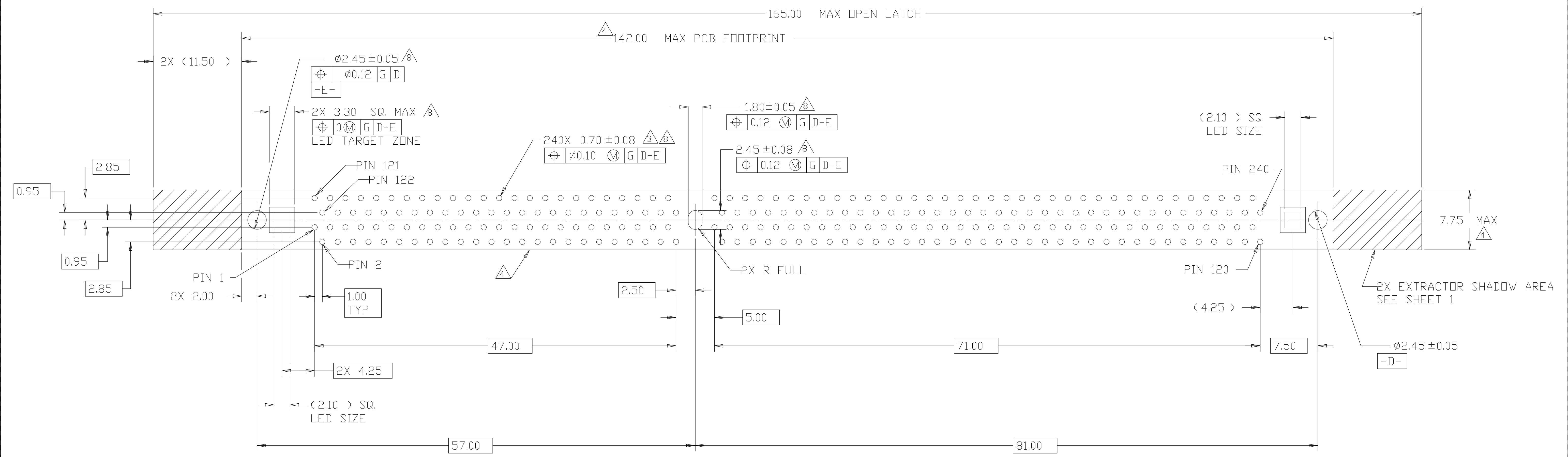


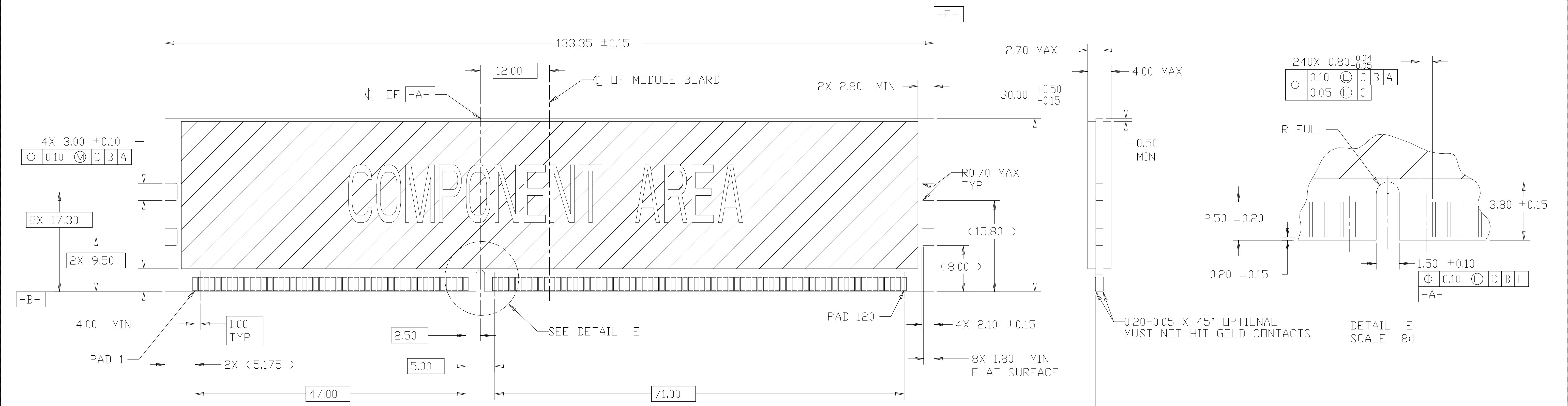
HOUSING STYLE	EXTRACTOR COLOR	HOUSING COLOR	CONTACT GOLD INTERFACE	TAIL LENGTH	PART NUMBER
RETENTION BARB	BLACK	BLACK	0.00076 MIN (30u'')	2.54	7-1932000-6
	NATURAL	BLACK	0.00076 MIN (30u'')	2.54	7-1932000-5
	NATURAL	BLUE(2935U)	0.00038 MIN(15u'')	2.67	7-1932000-2
	NATURAL	PINK(701C)	0.00008 MIN (3u'', FLASH)	2.54	6-1932000-5
		BLUE(284C)		2.54	6-1932000-4
	BLACK	BLACK	0.00076 MIN (30u'')	4.00	5-1932000-2
	NATURAL	BLACK		3.18	5-1932000-1
	NATURAL	GREEN(368C) BLUE(284C) ORANGE(021C)	0.00038 MIN (15u'')	4.00	4-1932000-8
				3.18	4-1932000-7
				2.67	4-1932000-6
	NATURAL	GREEN(368C) BLUE(284C) ORANGE(021C)	0.00038 MIN (15u'')	2.67	3-1932000-3
				2.67	2-1932000-5
				2.67	2-1932000-1
	BLACK	BLACK	0.00038 MIN (15u'')	3.18	1-1932000-7
			0.00008 MIN(3u'')	2.67	1-1932000-6
	NATURAL	BLACK	0.00038 MIN (15u'')	4.00	1-1932000-5
			0.00008 MIN(3u'')	3.18	1-1932000-1
	NATURAL	NATURAL	0.00038 MIN (15u'')	2.67	1-1932000-0
				2.67	1932000-7
				4.00	1932000-6
3.18				1932000-5	
2.67				1932000-4	
NATURAL	NATURAL	0.00008 MIN (3u'', FLASH)	4.00	1932000-3	
			3.18	1932000-2	
			2.67	1932000-1	

THIS DRAWING IS A CONTROLLED DOCUMENT.

DIMENSIONS: mm	TOLERANCES UNLESS OTHERWISE SPECIFIED:	DIN LEO ZHOU 28FEB2007	STE	TE Connectivity
0 PLC ± -	1 PLC ± 0.5	CHK STEVEN YAO 28FEB2007	SOCKET ASSEMBLY, VERTICAL DDR3 DIMM, SOLDER TAIL, 240 POSITION	
2 PLC ± 0.15	3 PLC ± 0.013	APVD STEVEN YAO 28FEB2007		
4 PLC ± 0.0001	ANGLES ± -	PRODUCT SPEC	SIZE A1	CAGE CODE 1932000
MATERIAL	FINISH	APPLICATION SPEC	WEIGHT	RESTRICTED TO
		CUSTOMER DRAWING	SCALE 4:1	SHEET 2 OF 4 REV H7

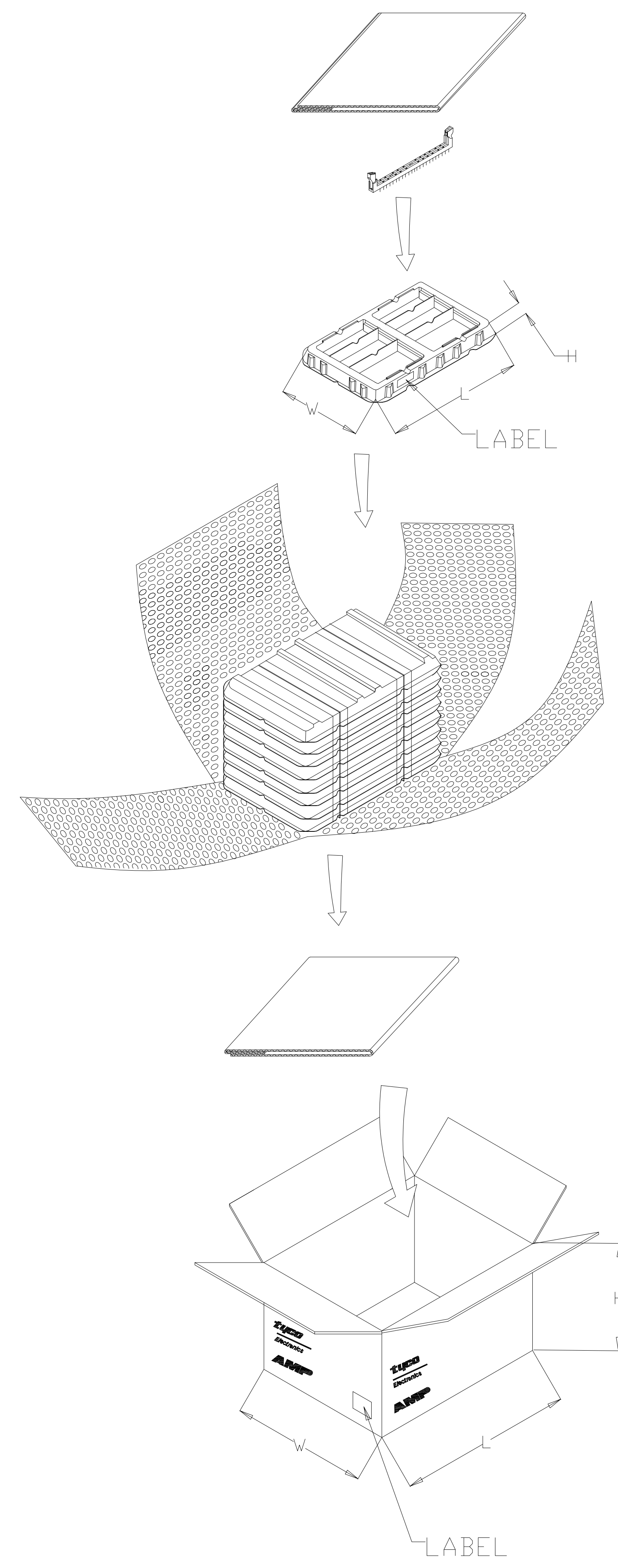


RECOMMENDED PCB LAYOUT
VIEWED FROM CONNECTOR SIDE



RECOMMENDED MODULE LAYOUT
SCALE 3:1
REFER TO JEDEC MO-269 FOR COMPLETE MODULE DETAILS

THIS DRAWING IS A CONTROLLED DOCUMENT.		DIN	LEO ZHOU	28FEB2007	 TE Connectivity
		CHK	STEVEN	28FEB2007	
		APPV	STEVEN YAO	28FEB2007	NAME
		PRODUCT SPEC			SOCKET ASSEMBLY, VERTICAL DDR3 DIMM, SOLDER TAIL, 240 POSITION
		APPLICATION SPEC			SIZE
		WEIGHT			CAGE CODE
		CUSTOMER DRAWING			DRAWING NO
		SCALE 4:1			SHEET 3 OF 4
		REV			RESTRICTED TO



BOTTOM TRAY

TRAY

CARTON

NOTES:

1. MATERIAL:
 - 1.1 TRAY: PVC
 - 1.2 SHIPPING CARTON : CORRUGATED FIBERBOARD
2. DIMENSION :
 - 2.1 TRAY : L=363, W=255, H=33
 - 2.2 SHIPPING CARTON : L=375, W=265, H=280
3. QUANTITY :
 - 3.1 PRIMARY PACKING : 50 PCS/TRAY
 - 3.2 SECONDARY PACKING : 8 TRAY/CARTON(400PCS)
4. WEIGHT :
 - 4.1 NET WEIGHT : 3.76 KG
 - 4.2 GROSS WEIGHT: 6.00 KG

THIS DRAWING IS A CONTROLLED DOCUMENT.		DIN LEO ZHOU 28FEB2007		TE Connectivity	
DIMENSIONS: mm		CHK STEVEN 28FEB2007			
TOLERANCES UNLESS OTHERWISE SPECIFIED:		APVD STEVEN YAO 28FEB2007		NAME	
0. PLC ± -		PRODUCT SPEC		SOCKET ASSEMBLY, VERTICAL DDR3 DIMM, SOLDER TAIL, 240 POSITION	
1. PLC ± 0.50		APPLICATION SPEC		SIZE CAGE CODE DRAWING NO	
2. PLC ± 0.13		WEIGHT		A1 00779 C=1932000	
3. PLC ± 0.013		CUSTOMER DRAWING		SCALE -- SHEET 4 OF 4 REV H7	
4. PLC ± 0.0001					
ANGLES ± -					
MATERIAL - FINISH -					