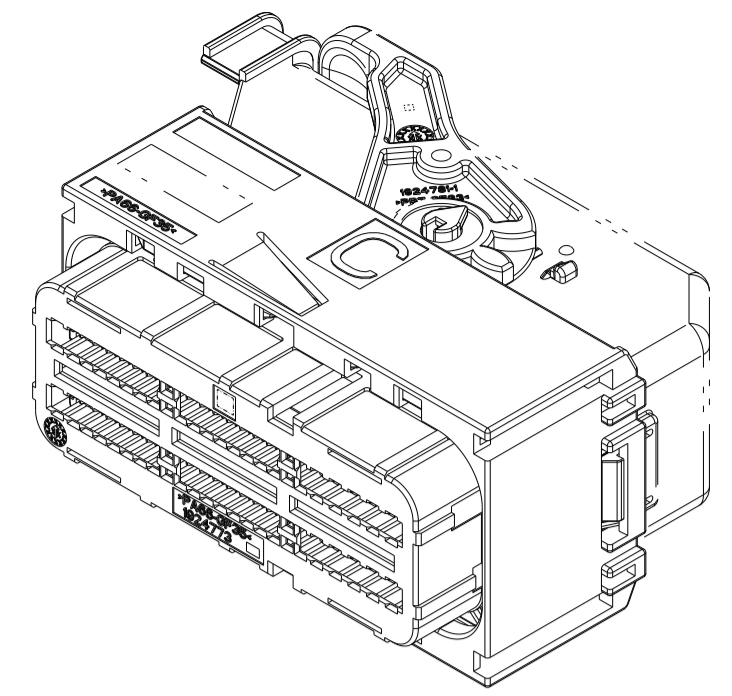
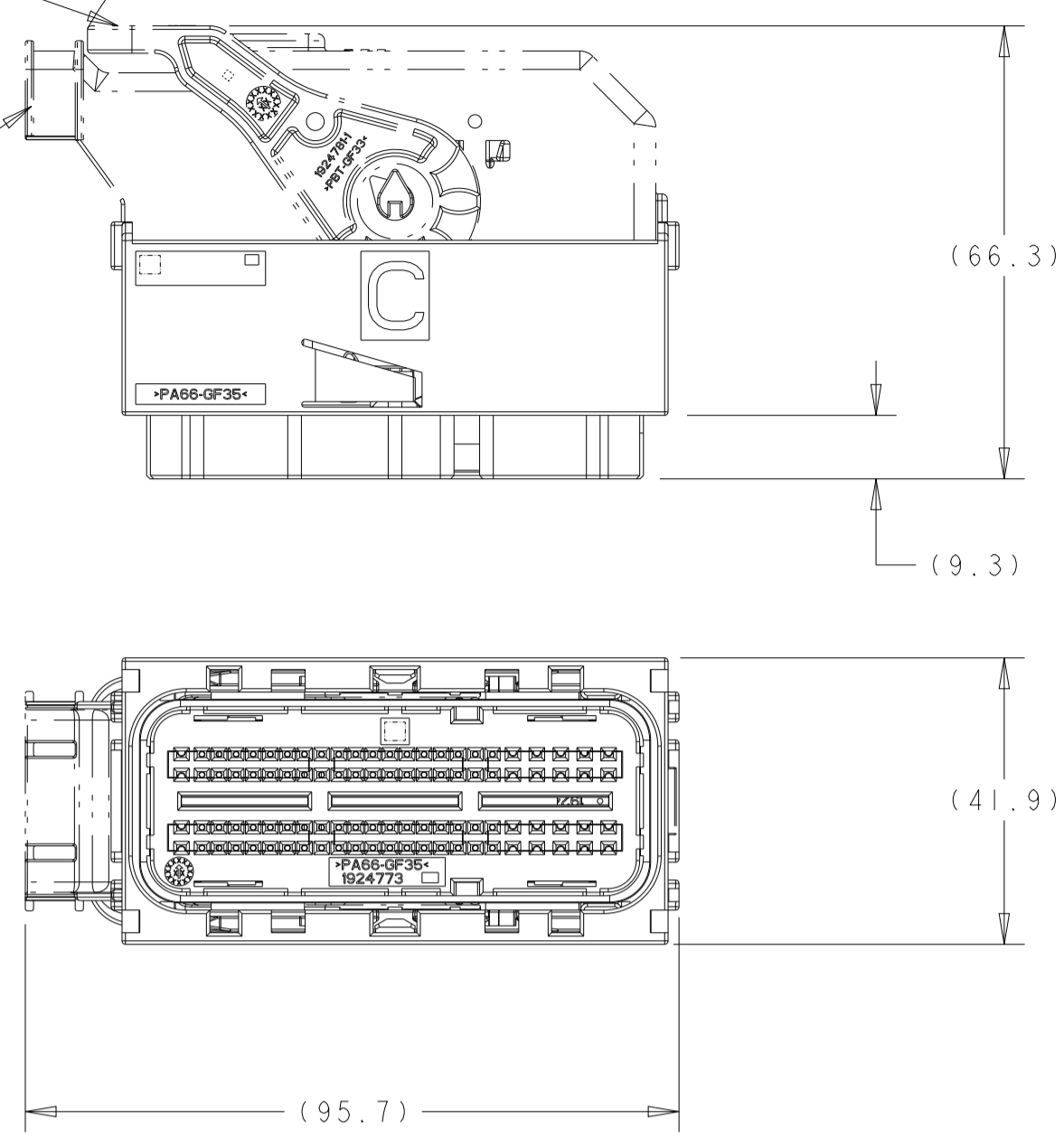


REVISIONS				
P	LTN	DESCRIPTION	DATE	APPV
C1		REVISED PER ECO-16-010315	12JUL2016	DLD WEM
C2		REVISED PER ECO-17-010568	20JUL2017	FGV GM
C3		REVISED PER ECO-19-009349	21JUN2019	JMS HC
C4		REVISED PER ECN-24-278905	09AUG2024	CKM HC

LEVER IN LOCKED POSITION

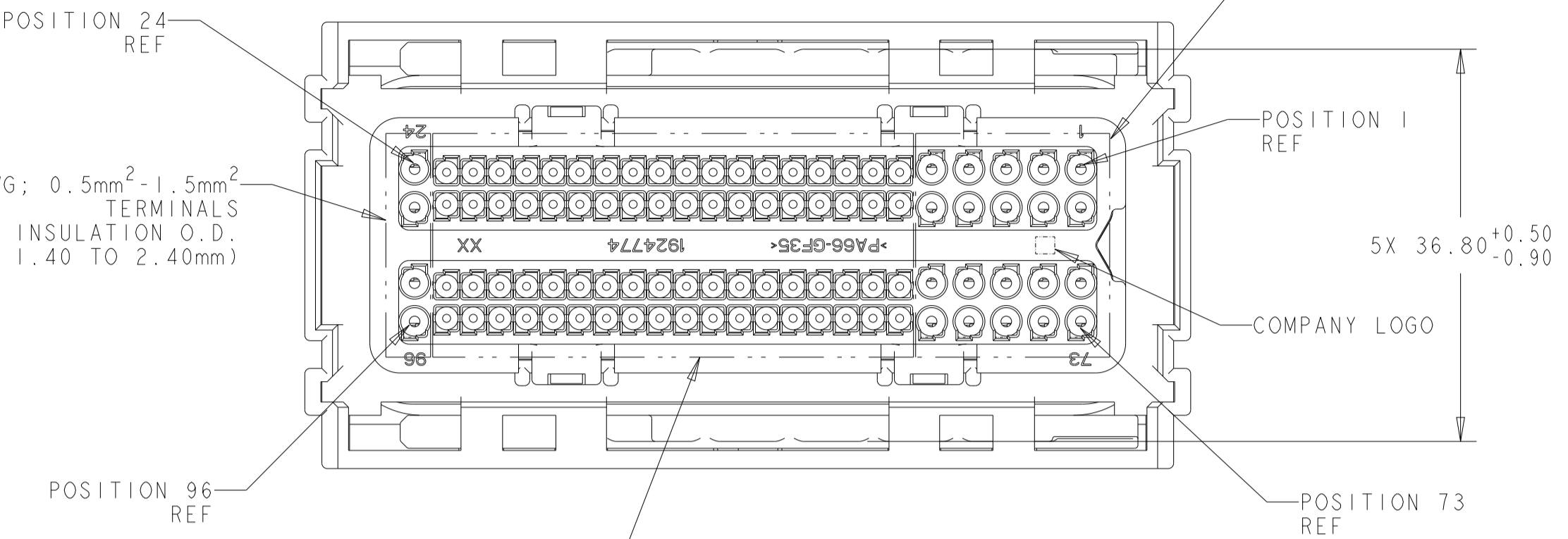
WIRE COVER ASSEMBLY PART NUMBER 1924779-1 MUST BE PURCHASED SEPARATELY



ISOMETRIC VIEW SCALE 1:1

LEFT EXIT PLUG ASSEMBLY SHOWN WITH OPTIONAL WIRE COVER ASSEMBLY (MUST BE PURCHASED SEPARATELY) SCALE 1:1

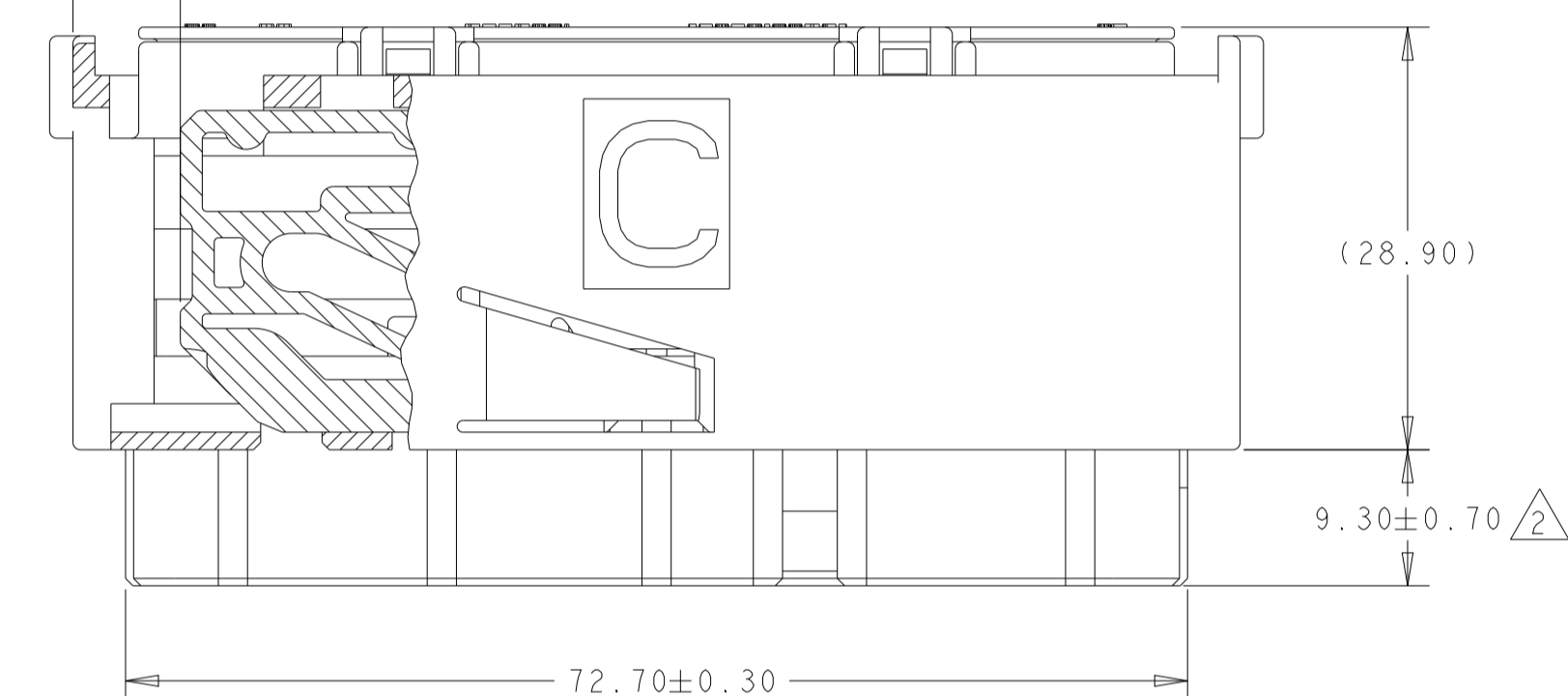
POSITION 24 REF
 ACCEPTS 20-16 AWG; 0.5mm²-1.5mm² TERMINALS (USE A WIRE INSULATION O.D. RANGE OF 1.40 TO 2.40mm)



ACCEPTS 20-16AWG; 0.5mm²-1.5mm² TERMINALS (USE A WIRE INSULATION O.D. RANGE OF 1.40 TO 2.40mm)

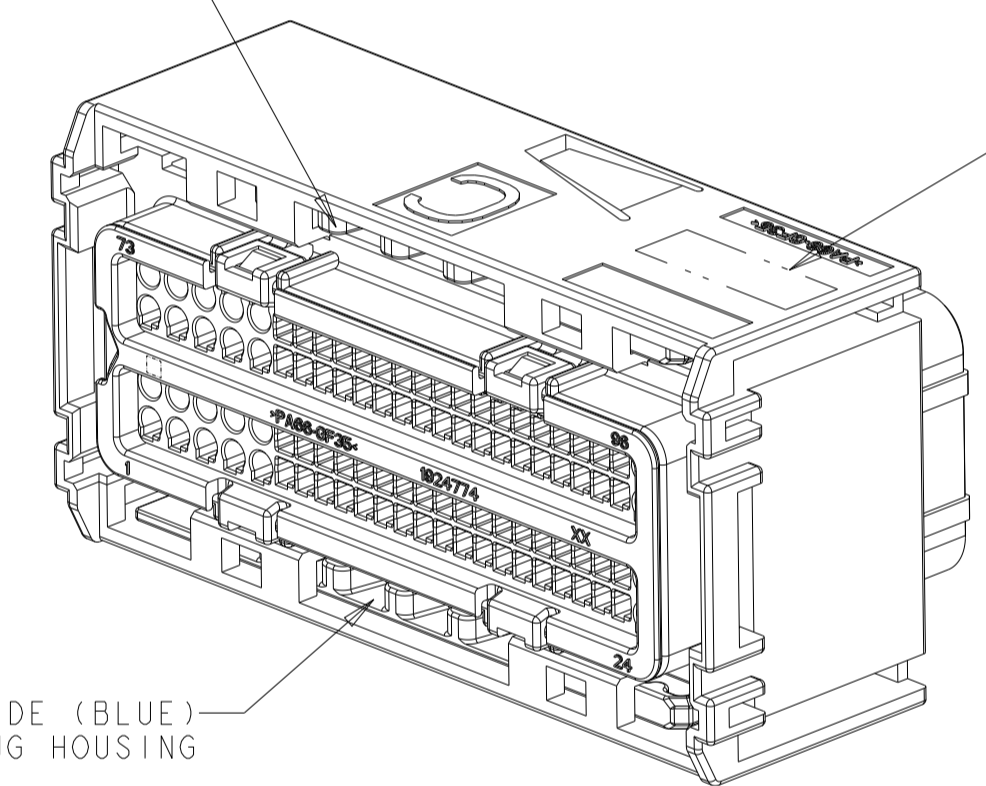
ACCEPTS 22-18AWG; 0.35mm²-0.75mm² TERMINALS (USE A WIRE INSULATION O.D. RANGE OF 1.20 TO 2.06mm)

2X (7.35)



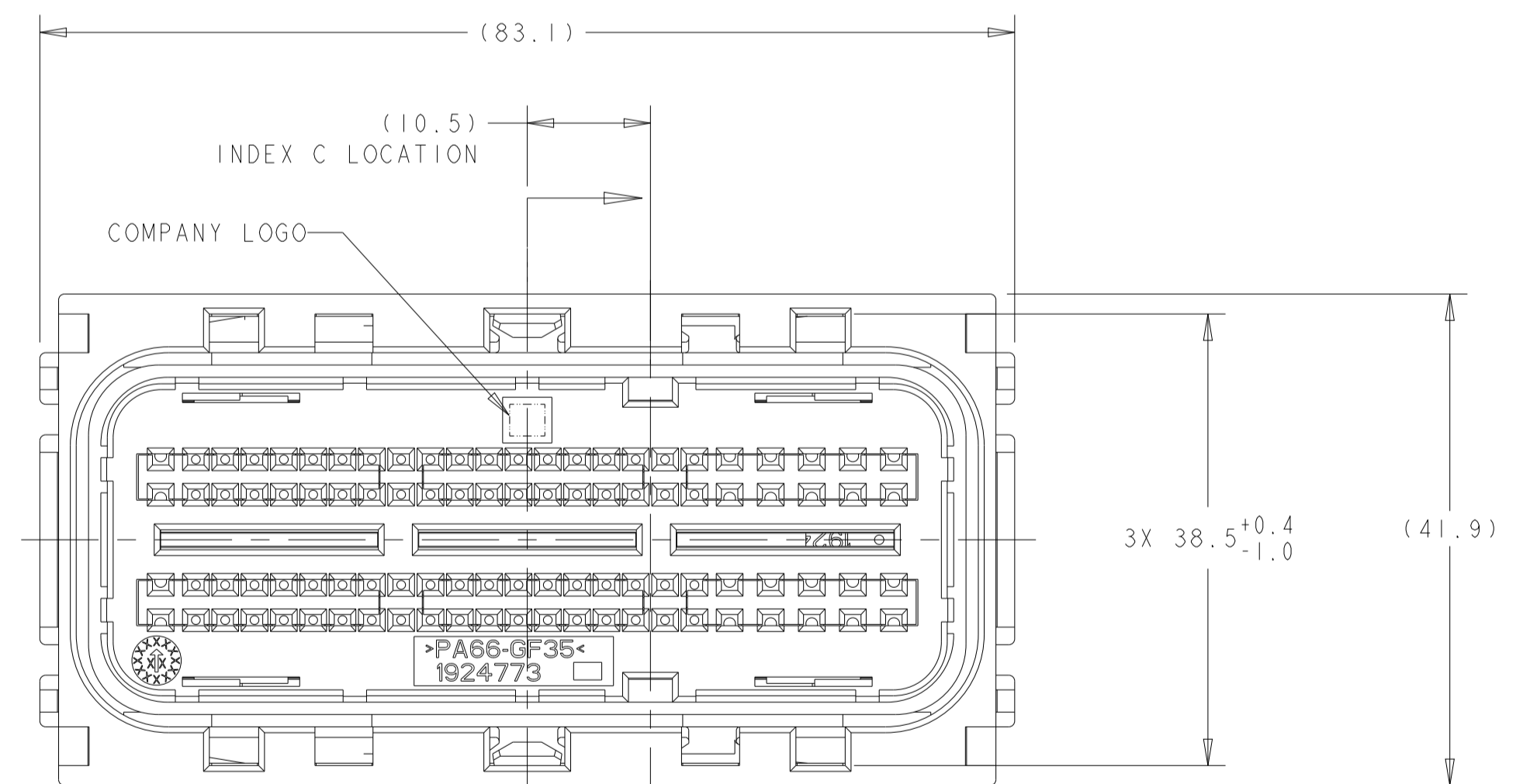
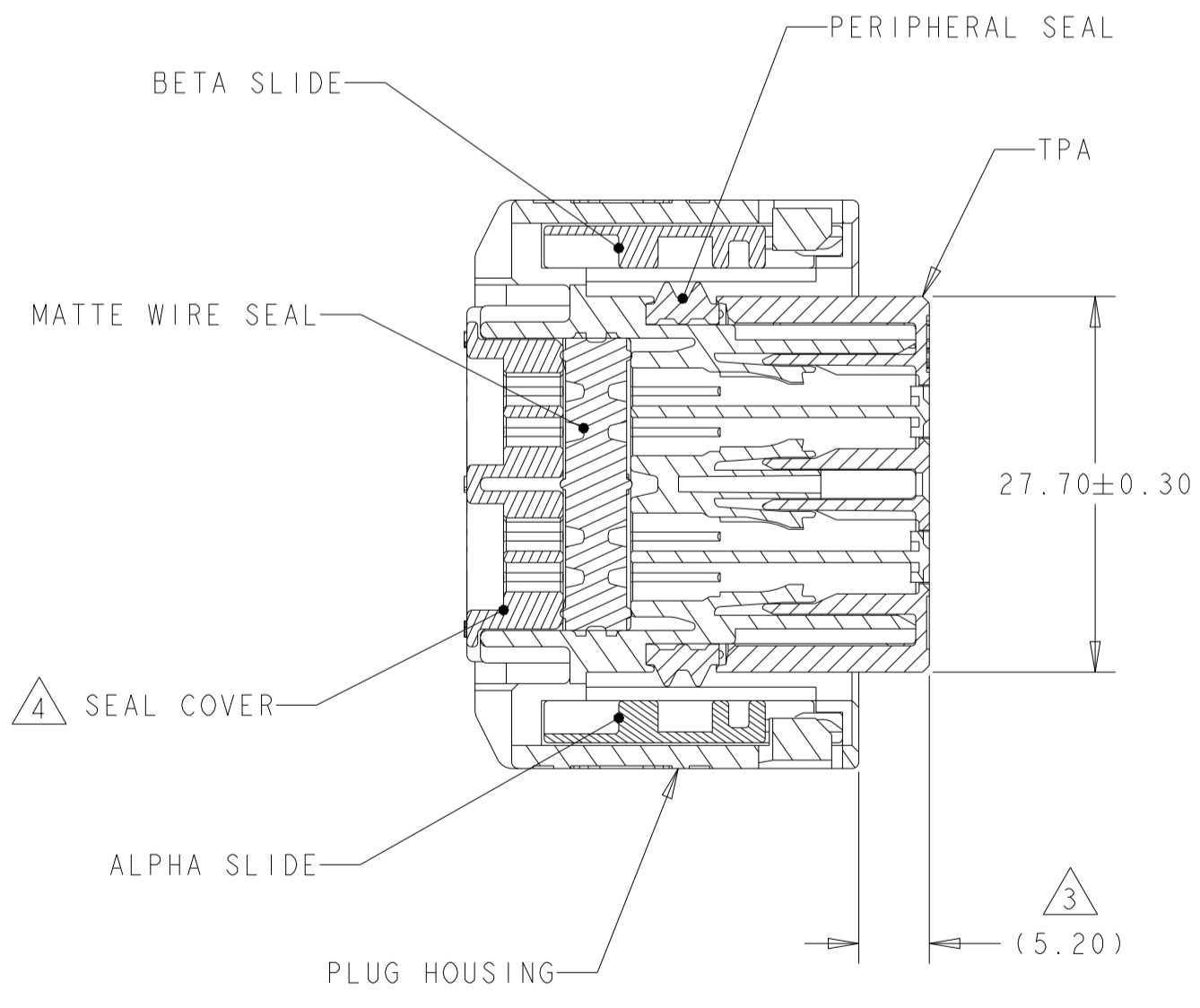
BETA SLIDE (GREEN) C SIDE OF PLUG HOUSING

ASSEMBLY PART NUMBER AND DATE CODE MARKING



ALPHA SLIDE (BLUE) D SIDE OF PLUG HOUSING

(METHOD FOR IDENTIFYING EXIT ORIENTATION)



- 1. PLUG HOUSING AND SEAL COVER: NYLON 6/6, BLACK.
 TPA: NYLON 6/6, COLOR - SEE TABLE.
 MATTE WIRE SEAL: SILICONE, LIGHT BLUE.
 PERIPHERAL SEAL: SILICONE, GREEN.
 ALPHA SLIDE: NYLON 6/6, BLUE.
 BETA SLIDE: NYLON 6/6, GREEN.

2. TPA SHOWN IN PRE-LATCHED, AS SHIPPED, POSITION.

3. TPA SHOWN IN CLOSED POSITION.

4. SEE TABLE ON SHEET 2 FOR SEAL COVER PIN OUT CONFIGURATION.

5. PLUG ASSEMBLY MATES WITH TYCO ELECTRONICS INTERFACE DRAWING 1924771-INT, POLARIZATION C.

- 6. PLUG ASSEMBLY WILL ACCEPT THE FOLLOWING GET TERMINAL PART NUMBERS: 1393364-1 (GOLD 22AWG; 0.35mm²)
 1393365-1 (GOLD 18-20AWG; 0.75mm²-0.5mm²)
 1924878-1 (TIN/SILVER 22AWG; 0.35mm²)
 1924879-1 (TIN/SILVER 18-20AWG; 0.75mm²-0.5mm²)
 1924782-1 (TIN/SILVER 1.0mm²)
 1924880-1 (TIN/SILVER 16AWG; 1.5mm²)

7. WIRE DRESS ASSEMBLY MUST BE INSTALLED ONTO PLUG ASSEMBLY WITH LEVER IN LOCKED POSITION.

8. APPLICATION SPEC'S: 408-10229, 408-10230.

9. NOTE DELETED.

10. FORCE TO SEAT TPA COMPONENT FROM PRE-SET TO LOCKED (FULLY LOADED W/ TERMINALS) TO BE 83N MAX.

11. FORCE TO MOVE TPA FROM FULLY LOCKED TO PRE-SET TO BE 115N MAX. FLAT BLADE SCREWDRIVER SUGGESTED FOR REMOVAL OF TPA.

SUPERSEDED BY:
 X-2359499-X

2359499-7	SEE TABLE, SH 2	TAN	C	1924942-7
2359499-6	SEE TABLE, SH 2	TAN	C	1924942-6
2359499-5	SEE TABLE, SH 2	TAN	C	1924942-5
2359499-4	SEE TABLE, SH 2	TAN	C	1924942-4
2359499-3	SEE TABLE, SH 2	TAN	C	1924942-3
2359499-2	SEE TABLE, SH 2	TAN	C	1924942-2
2359499-1	ALL OPEN	TAN	C	1924942-1
SUPERSEDED BY	BLOCKED CIRCUITS	TPA COLOR	INDEX REF	PART NUMBER

THIS DRAWING IS A CONTROLLED DOCUMENT.

DMN: J. HARDY 29NOV2007
 CHK: A. J. VASBINDER 03DEC2007
 APVD: A. J. VASBINDER 03DEC2007

DIMENSIONS: mm
 TOLERANCES UNLESS OTHERWISE SPECIFIED:
 0 PLC ±
 1 PLC ±
 2 PLC ±0.25
 3 PLC ±
 4 PLC ±
 ANGLES ±
 FINISH

MATERIAL:
 FINISH:

TE Connectivity
 NAME: PLUG ASSEMBLY, 96 POSITION, INDEX C - LEFT EXIT, SEALED, GPEC 11
 SIZE: A1 CAGE CODE: 100779 DRAWING NO: 1924942
 WEIGHT: -
 CUSTOMER DRAWING:

RESTRICTED TO: -
 SCALE: 2:1 SHEET 1 OF 2 REV: C4

REVISIONS					
#	LTN	DESCRIPTION	DATE	DWN	APVD
-		SEE SHEET 1		-	-

21MY RAM HEAVY DUTY 6.4L	2	5	15	16	17	18	23	27	28	29	30	36	42	46	47	52	54	58	59	61	62	63	64	69	70	71	78	83	84	91	92	93	94	95	1924942-7													
2019 RU PHEV	1	2	3	5	6	7	15	16	17	18	25	27	29	30	31	32	35	36	42	46	47	52	53	54	55	56	57	58	59	60	64	68	69	70	71	76	77	78	81	82	83	84	91	92	93	94	95	1924942-6
2018 LX ENGINE 6.4 RHD	2	3	5	7	15	16	17	18	23	26	27	28	29	30	36	42	46	47	52	54	55	56	57	58	59	61	62	63	64	69	70	71	78	83	84	91	92	93	94	95	1924942-5							
2018 LX ENGINE 3.6 RHD	1	2	3	5	6	7	15	16	17	18	25	26	27	28	29	30	31	36	42	46	47	52	53	54	55	56	57	58	59	60	64	69	70	71	76	77	78	81	82	83	84	91	92	1924942-4				
2017 RU PHEV POWERTRAIN HARNESS	1	2	3	5	6	7	15	16	17	18	25	27	28	30	31	32	35	36	42	46	47	52	53	54	55	56	57	58	59	60	64	68	69	70	71	76	77	78	81	82	83	84	91	92	1924942-3			
RU POWERTRAIN HARNESS	2	5	7	15	16	17	18	26	27	28	30	36	42	46	47	52	53	54	58	59	60	64	68	69	70	71	76	77	78	81	82	84	91	92	1924942-2													
ALL OPEN	1924942-1																																															

VEHICLE PLATFORM/APPLICATION 1 2 3 4 5 6 7 8 9 10 11 12 13 14 15 16 17 18 19 20 21 22 23 24 25 26 27 28 29 30 31 32 33 34 35 36 37 38 39 40 41 42 43 44 45 46 47 48 49 50 51 52 53 54 55 56 57 58 59 60 61 62 63 64 65 66 67 68 69 70 71 72 73 74 75 76 77 78 79 80 81 82 83 84 85 86 87 88 89 90 91 92 93 94 95 96

CAVITIES WITH A NUMERIC SYMBOL INDICATE CLOSED TERMINAL HOLE POSITIONS
 BLANK CAVITIES INDICATE OPEN TERMINAL HOLE POSITIONS

PART NUMBER

PIN OUT CONFIGURATION TABLE

THIS DRAWING IS A CONTROLLED DOCUMENT.		DWN D. J. HARDY 29NOV2007			
		CHK A. J. VASBINDER 03DEC2007			
		APVD A. J. VASBINDER 03DEC2007			
		NAME			
DIMENSIONS:		TOLERANCES UNLESS OTHERWISE SPECIFIED:		PLUG ASSEMBLY, 96 POSITION, INDEX C - LEFT EXIT, SEALED, GPEC 11	
mm		0 PLC ±			
		1 PLC ±0.25			
		3 PLC ±			
		4 PLC ±			
MATERIAL		FINISH		RESTRICTED TO	
		WEIGHT		SCALE	
		CUSTOMER DRAWING		2:1	