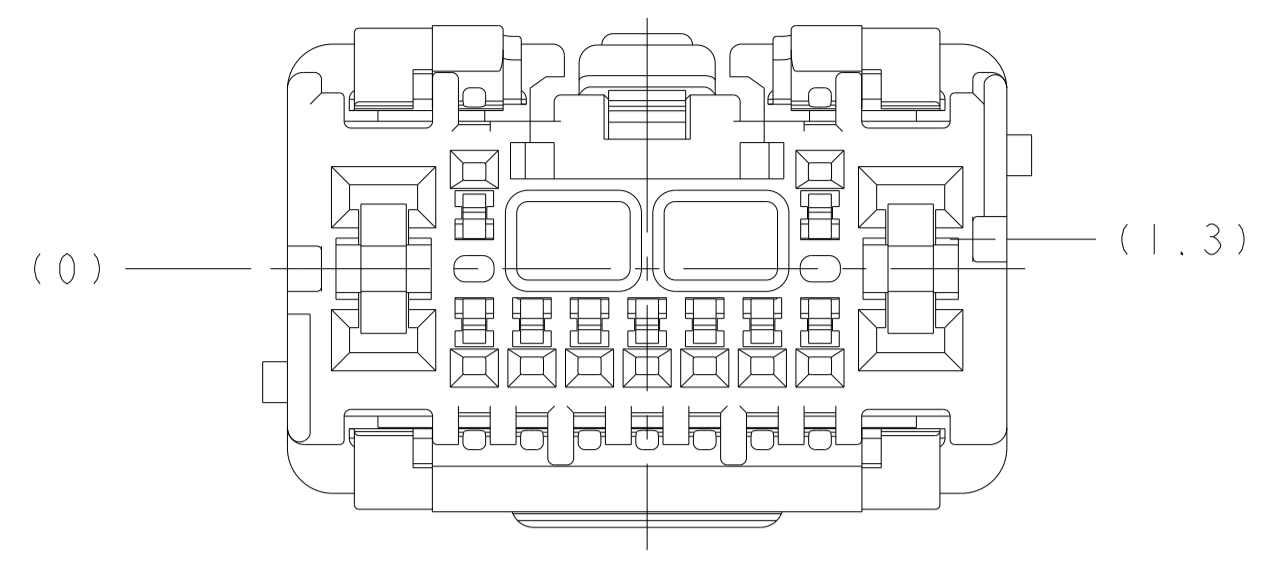
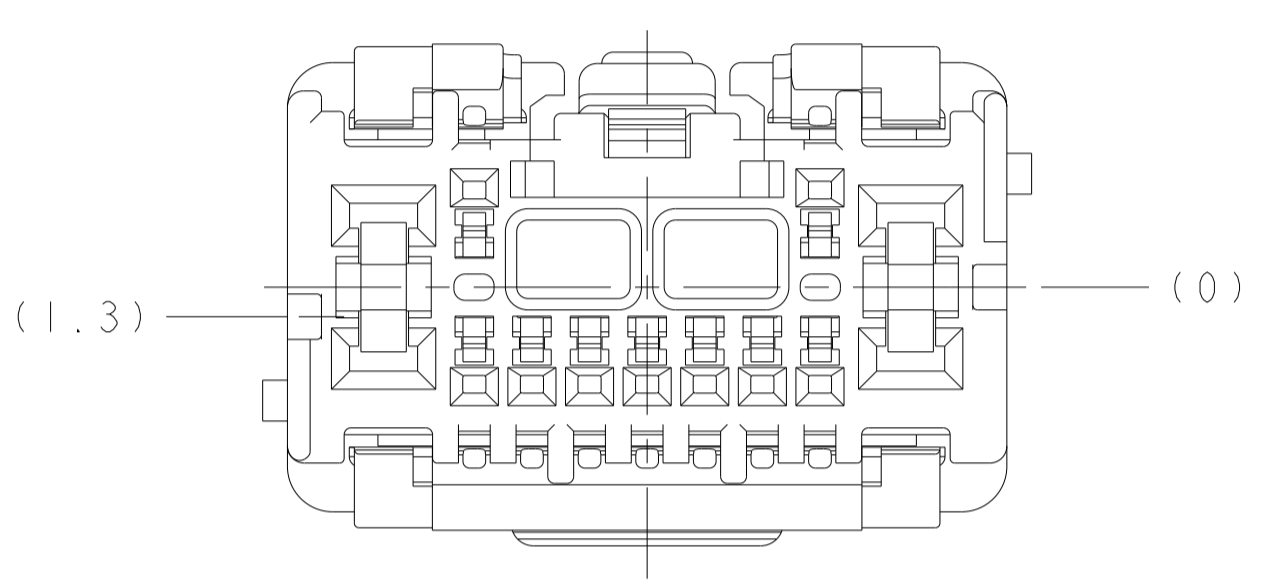


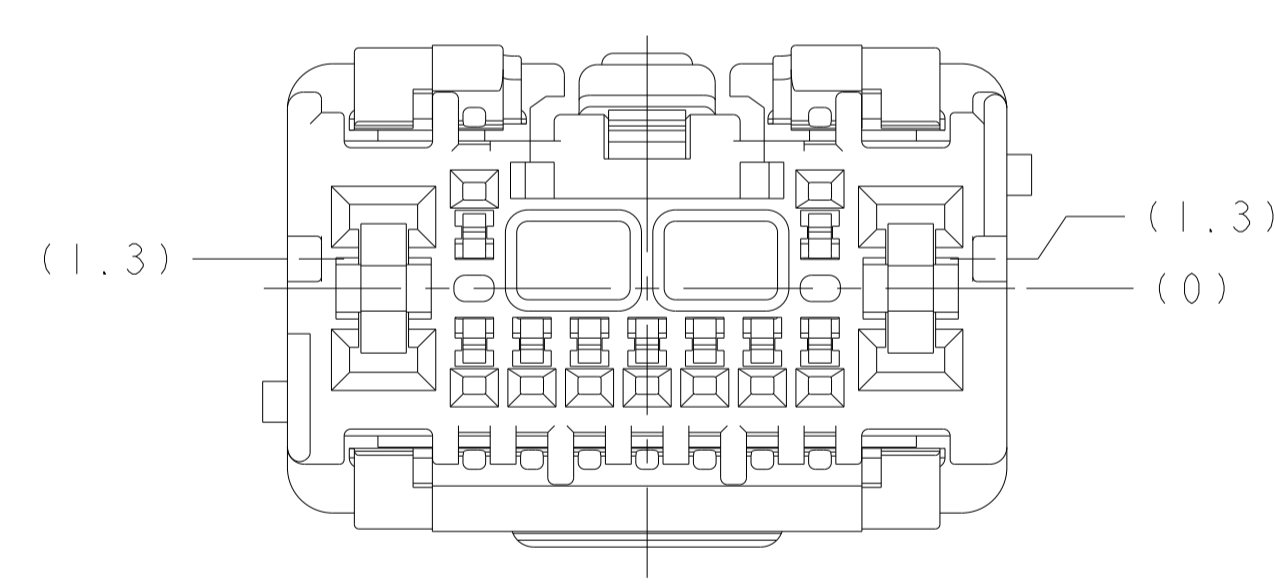
LOC		DIST		REVISIONS			
P	LTN	DESCRIPTION	DATE	DMN	APVD		
C		REVISED PER ECO-09-008312	02APR2009	AV	AV		
D		REVISED PER ECO-13-005462	02APR2013	DD	CS		
D1		REVISED PER ECN-21-119725	01NOV2021	JMS	CS		



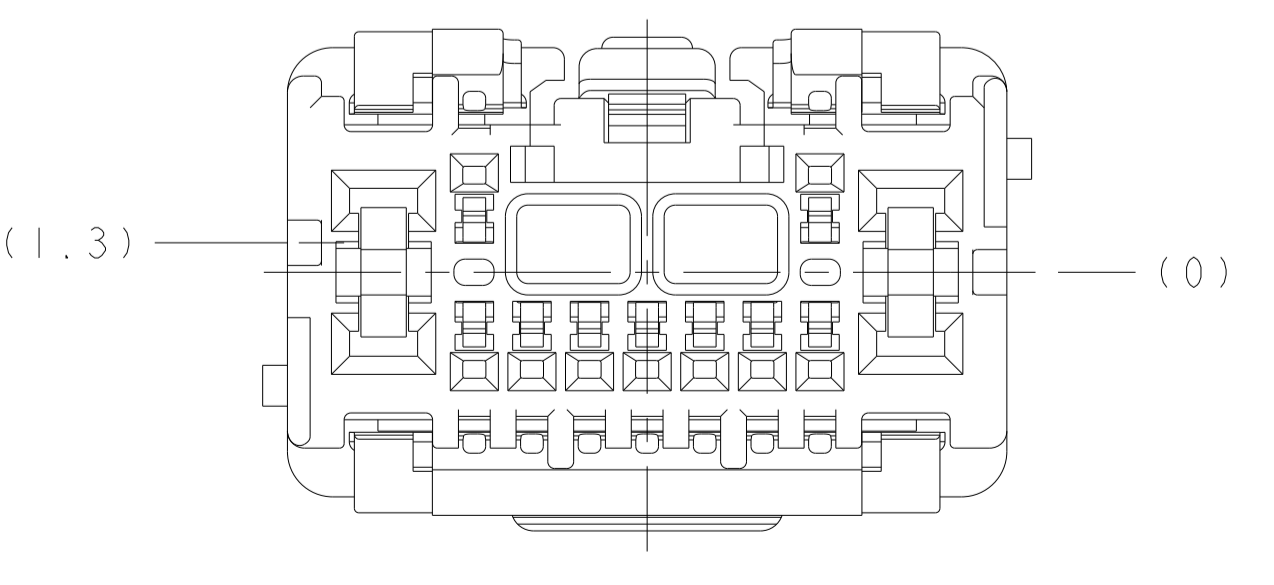
1924667-1
KEYING OPTION "A"



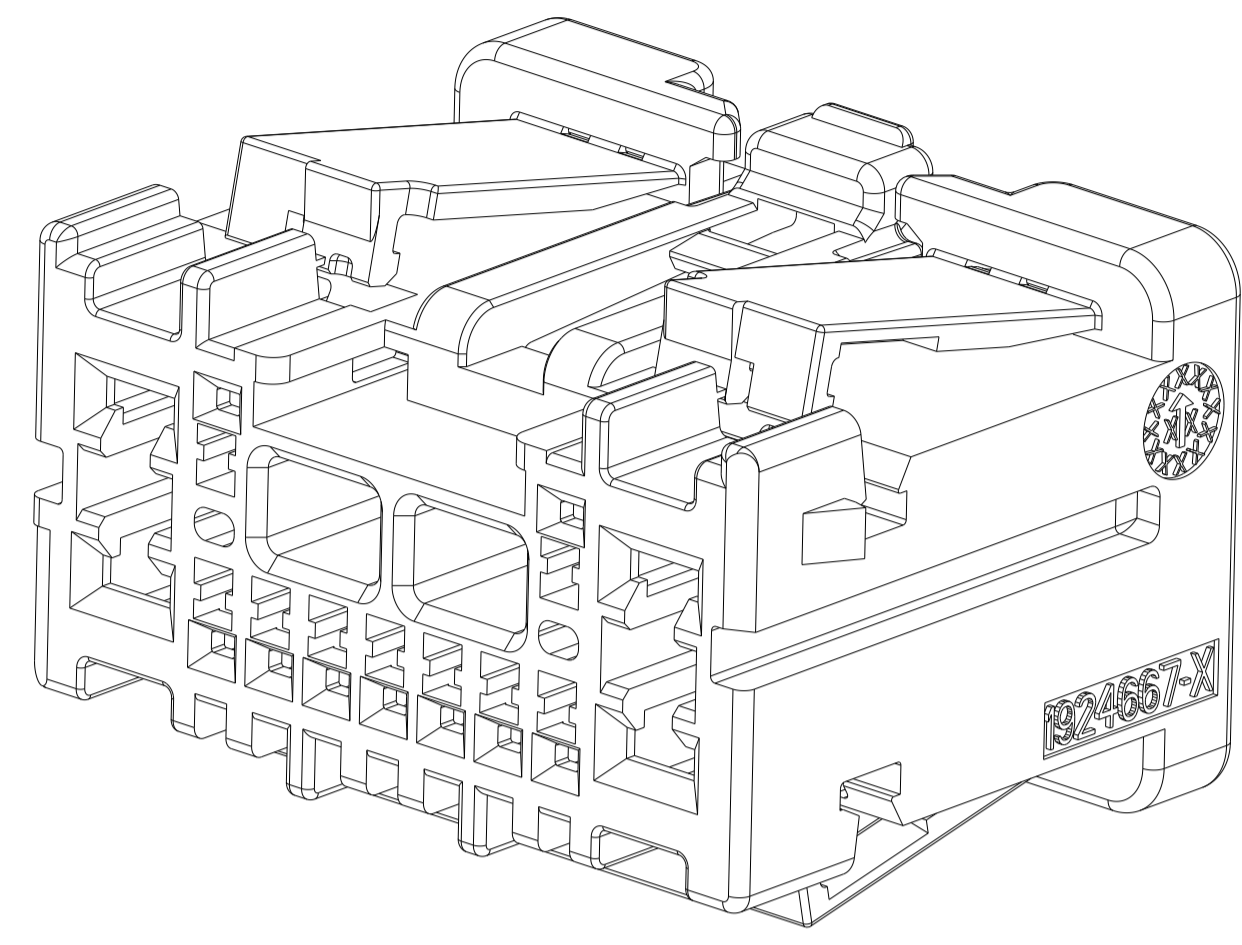
1924667-2
KEYING OPTION "B" ⚠



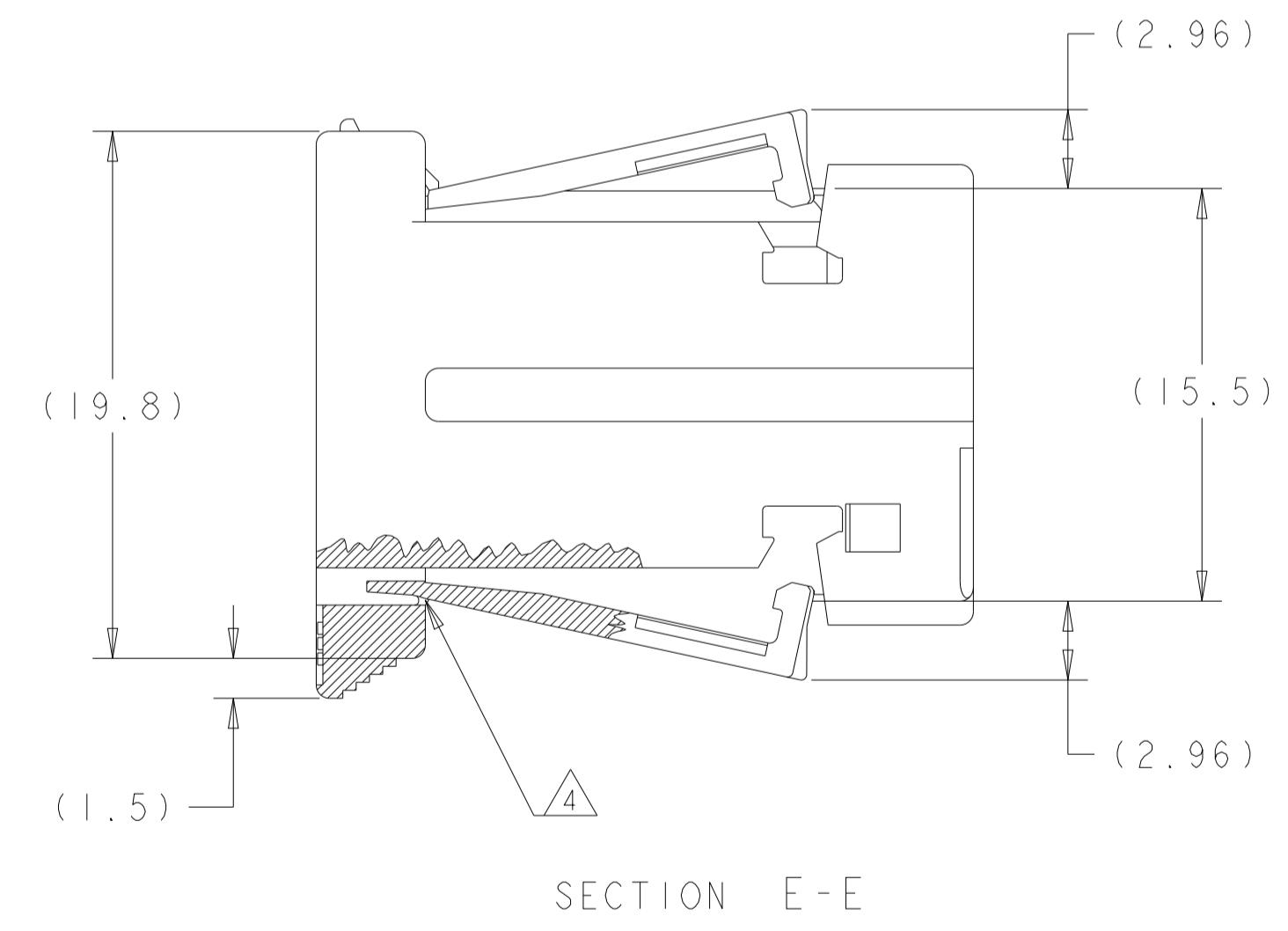
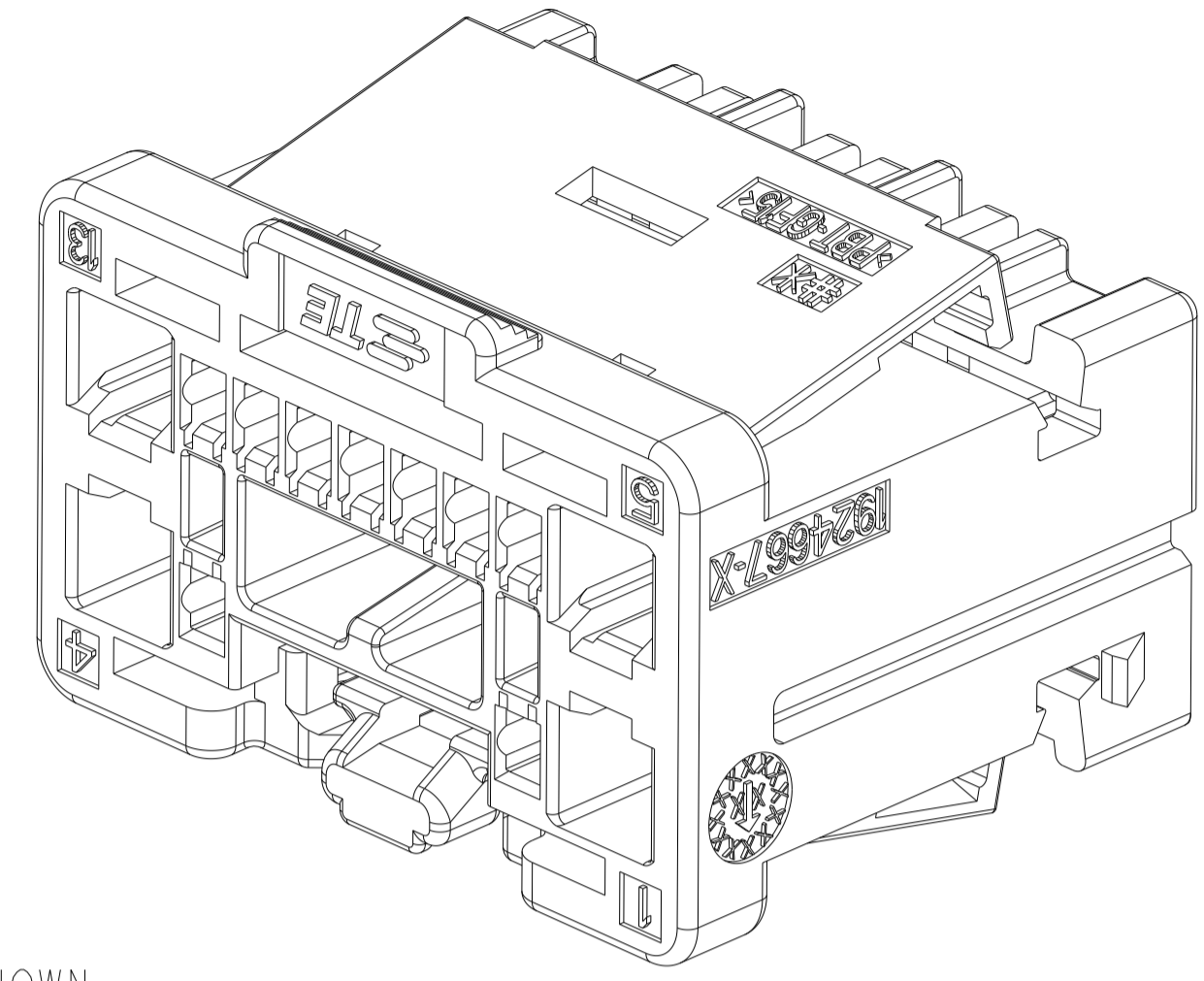
1924667-3
KEYING OPTION "C" ⚠



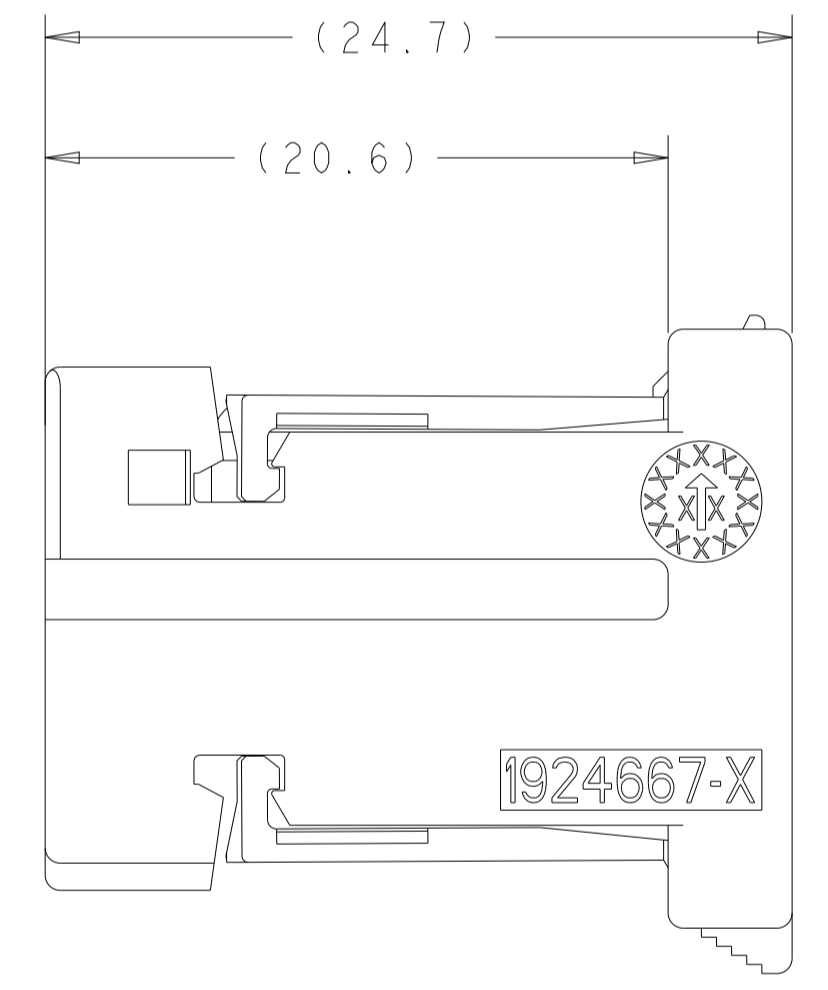
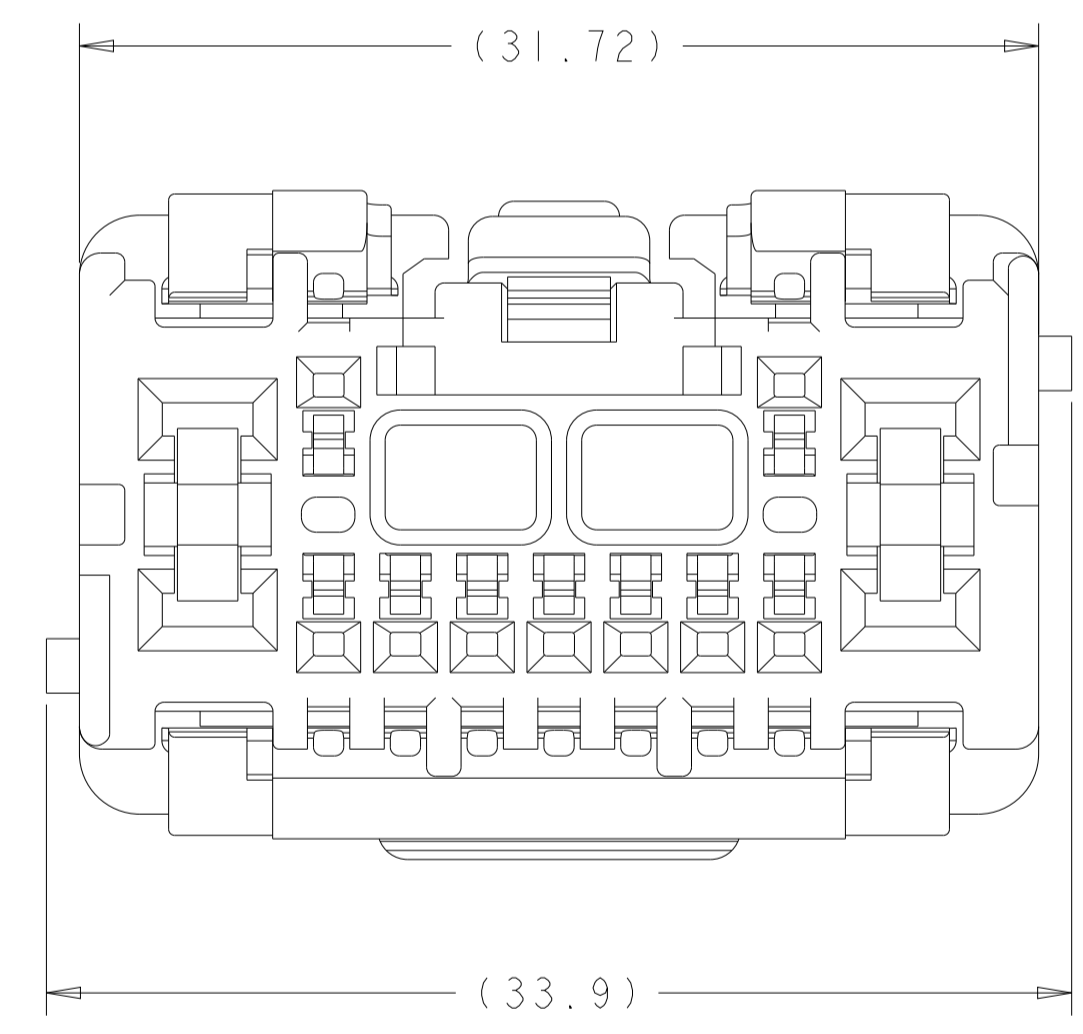
1924667-4
KEYING OPTION "D" ⚠



SECONDARY LOCKS SHOWN
IN OPEN POSITION
(SHIPPING POSITION)



SECTION E-E



SIDE VIEW WITH
SECONDARY LOCK CLOSED

NOTES:

- MATERIAL:
PLUG HOUSING: PBT 15% GLASS FILLED
COLOR: BLACK
- OPTIONAL CPA AVAILABLE.
- MATING RECEPTACLES:
1326030 TIN PLATING, 2.8 CONTACT
1924955 TIN PLATING, 0.64 CONTACT

⚠ WHEN SECONDARY LOCK IS TRANSITIONED FROM THE OPEN TO THE CLOSED POSITION THE PLASTIC ATTACHING THE SECONDARY LOCK IS ALLOWED/ASSUMED TO BREAK AWAY IN THE AREA SHOWN (TYPICAL).

⚠ PROPOSED DESIGN - NOT TOOLED.

D	1924667-4	⚠
C	1924667-3	⚠
B	1924667-2	⚠
A	1924667-1	
KEYING OPTION	TE PART NUMBER	

THIS DRAWING IS A CONTROLLED DOCUMENT.

DMN	M. HITCHCOCK	12 JUL 2007
CHK	A. VASBINDER	12 JUL 2007
APVD	A. VASBINDER	12 JUL 2007
NAME	13-WAY UNSEALED 1-PIECE (9X 0.64, 4X 2.8)	
PRODUCT SPEC	-	
APPLICATION SPEC	408-10292	
SIZE	CAGE CODE	DRAWING NO
A1	00779	1924667
WEIGHT	-	
Customer Drawing	SCALE	4:1
	SHEET	1 OF 1
	REV	D1

STE TE Connectivity