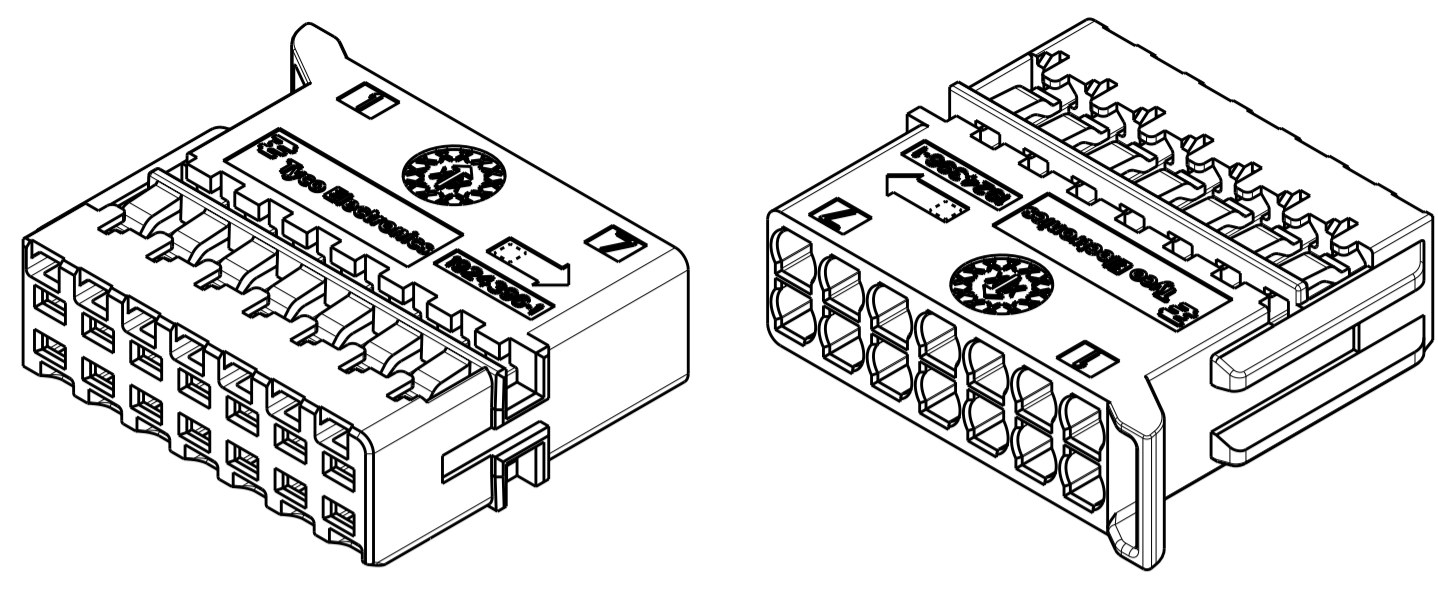


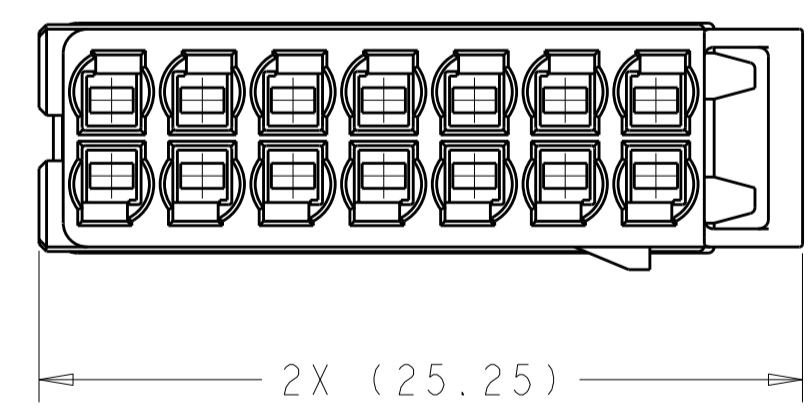
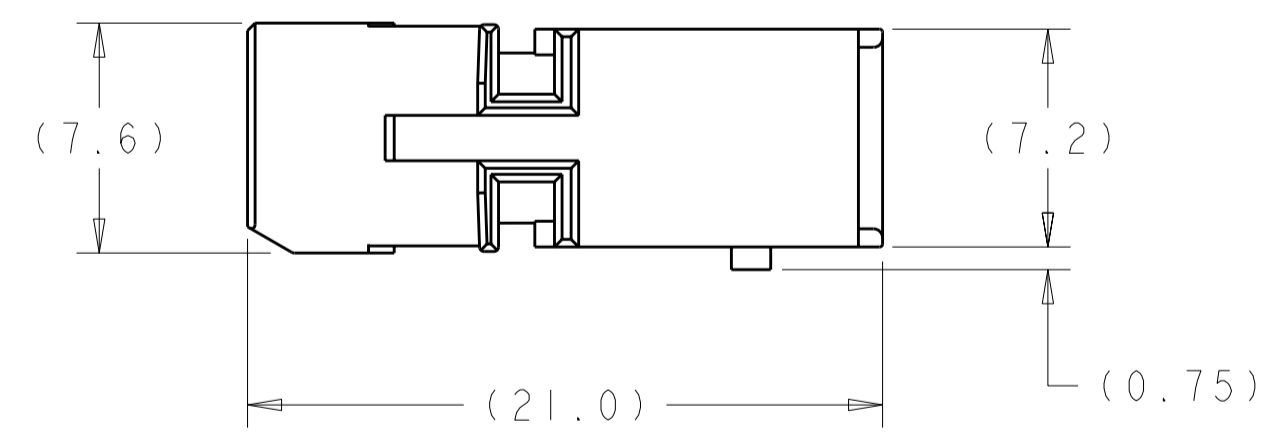
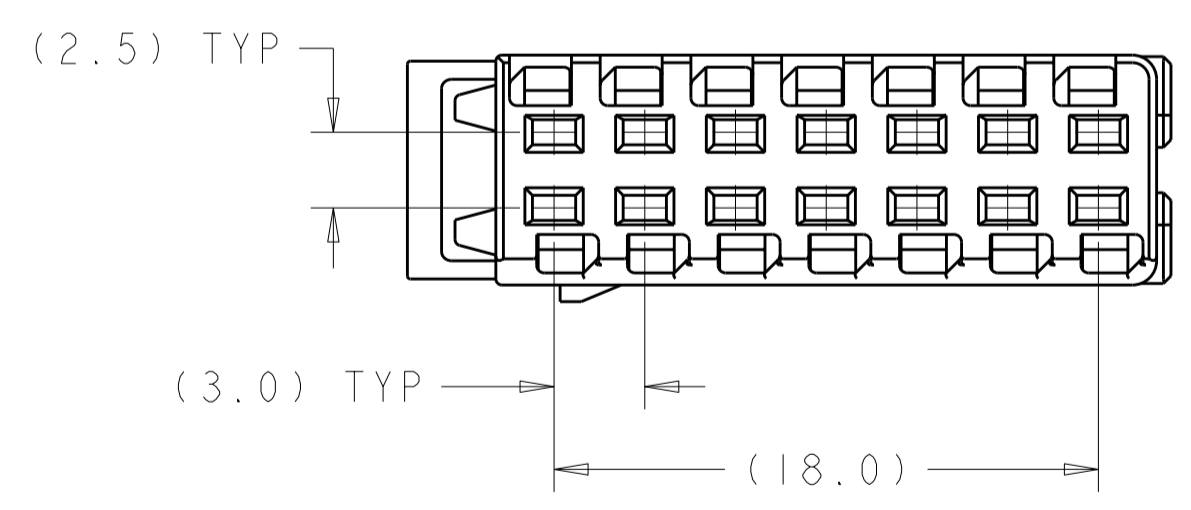
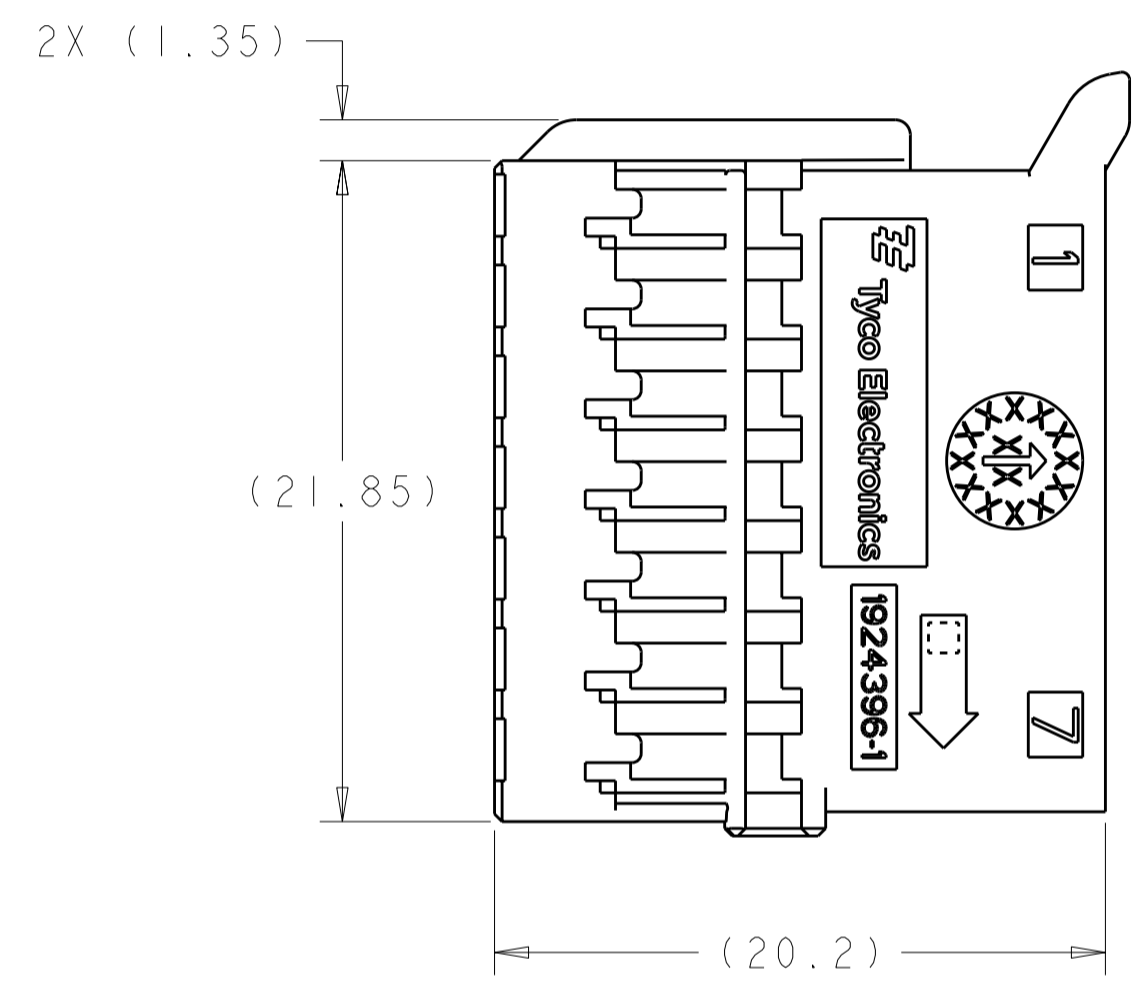
THIS DRAWING IS UNPUBLISHED. RELEASED FOR PUBLICATION 20
 © COPYRIGHT 20 BY - ALL RIGHTS RESERVED.

LOC	DIST	REVISIONS			
P	LTR	DESCRIPTION	DATE	DWN	APVD
		A	REVISED PER ECO-10-002458	04FEB2010	MBH RH
		AI	REVISED PER ECO-11-005811	19APR2011	DLD SLM



ISOMETRIC VIEWS
SCALE 3:1

- 1. NYLON, BLACK, GLASS FILLED.
- 2. INNER HOUSING TO BE USED WITH OUTER HOUSING 1924393-1, SOLD SEPARATELY.
- 3. INNER HOUSING WILL ACCEPT MCON 1.2mm CLEAN BODY, STANDARD CRIMP, TERMINALS SHOWN ON DRAWING 1534326, SOLD SEPERATELY.
- 4. REFERENCE DCX INTERFACE DETAIL DRAWING A 204 004 18 99.
- 5. THIS PRODUCT IS VALIDATED TO USCAR-2 REV 5 CLASS T2 SI VI.
- 6. NOTE DELETED.



1924396-1
PART NUMBER

THIS DRAWING IS A CONTROLLED DOCUMENT.		DWN D. J. HARDY 07SEP2007	TE Connectivity	
DIMENSIONS: mm		CHK G. MARTIN 07SEP2007		
TOLERANCES UNLESS OTHERWISE SPECIFIED:		APVD G. MARTIN 07SEP2007	NAME INNER HOUSING, PLUG, 14 POSITION, UNSEALED, MCON 1.2mm	
0 PLC ± 1 PLC ± 2 PLC ± 3 PLC ± 4 PLC ± ANGLES ± FINISH		PRODUCT SPEC -	SIZE A200779	DRAWING NO C-1924396
MATERIAL -		WEIGHT -	RESTRICTED TO -	
-		CUSTOMER DRAWING	SCALE 4:1	SHEET 1 OF 1 REV AI