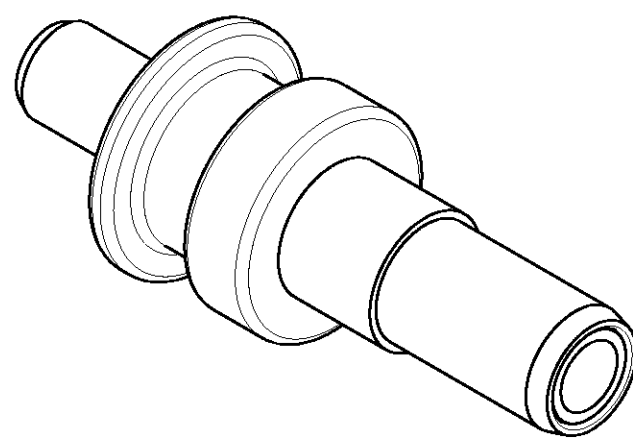
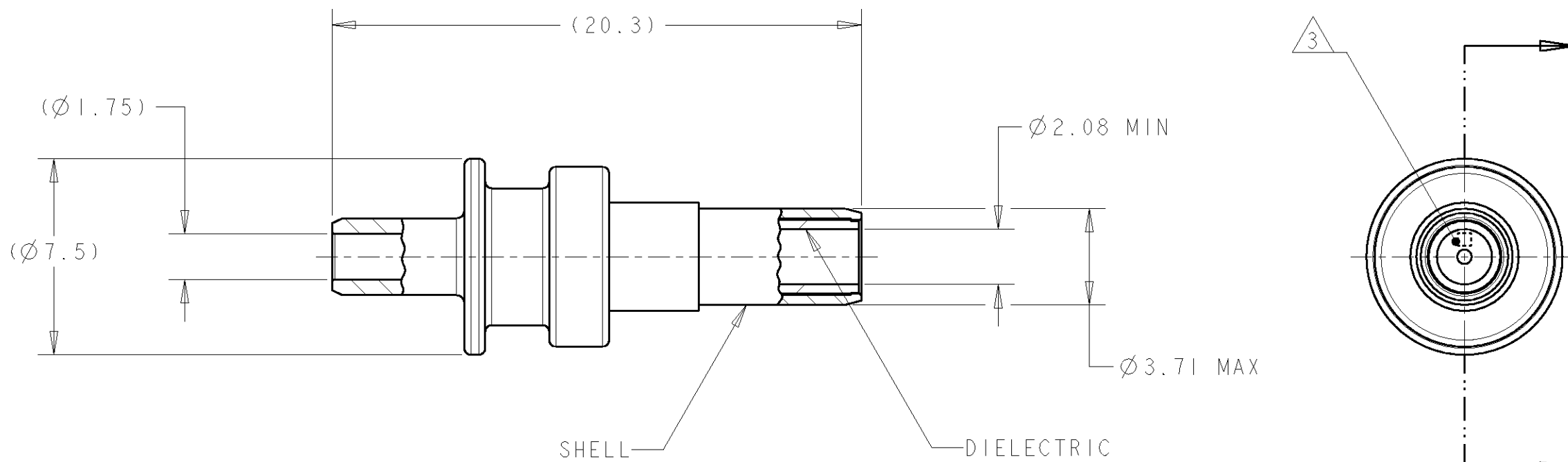


THIS DRAWING IS UNPUBLISHED. RELEASED FOR PUBLICATION 20  
 © COPYRIGHT 20 BY TYCO ELECTRONICS CORPORATION. ALL RIGHTS RESERVED.

LOC	DIST	REVISIONS			
P	LTR	DESCRIPTION	DATE	DWN	APVD
IN	00	A	INITIAL RELEASE	17OCT2006	DJH JWH
		B	REVISED PER ECR 07-005002	06JUN2007	DLD LLV
		C	ECR-09-025761	21DEC2009	KP LV

- 1 SHELL: ZINC.  
DIELECTRIC: POLYESTER PBT, CURRY.
- 2 SHELL: 2.0µm MIN TIN OVER 1.25µm MIN NICKEL, BOTH OVER 5.08µm MIN COPPER.
- 3 JACK SUBASSEMBLY INTERFACE PER DIN 72594-1,  
ROAD VEHICLES - RADIO FREQUENCY INTERFACE - DIMENSIONS AND ELECTRICAL REQUIREMENTS.
- 4. SEE INSTRUCTION SHEET 408-10028.
- 5. THIS PRODUCT HAS NOT COMPLETED VALIDATION TESTING ON I.5C-2V CABLE.



ISOMETRIC VIEW

1924129-1  
PART NUMBER

<small>THIS DRAWING IS A CONTROLLED DOCUMENT FOR TYCO ELECTRONICS CORPORATION IT IS SUBJECT TO CHANGE AND THE CONTROLLING ENGINEERING ORGANIZATION SHOULD BE CONTACTED FOR THE LATEST REVISION.</small>		DWN 09OCT2006 D. J. HARDY CHK 17OCT2006 J. W. HALL APVD 17OCT2006 J. W. HALL PRODUCT SPEC - APPLICATION SPEC 114-13157 WEIGHT -		<b>Tyco Electronics</b> Tyco Electronics Harrisburg, PA 17105-3608	
DIMENSIONS: mm 		TOLERANCES UNLESS OTHERWISE SPECIFIED: 0 PLC ±- 1 PLC ±- 2 PLC ±- 3 PLC ±- 4 PLC ±- ANGLES ±-		NAME JACK SUBASSEMBLY, 1.5D-2VS OR 1.5C-2V, FAKRA	
MATERIAL 1		FINISH 2		SIZE A3 CAGE CODE 00779 DRAWING NO C-1924129 RESTRICTED TO -	
CUSTOMER DRAWING				SCALE 5:1 SHEET 1 OF 1 REV C	