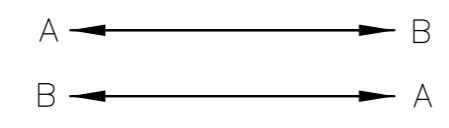
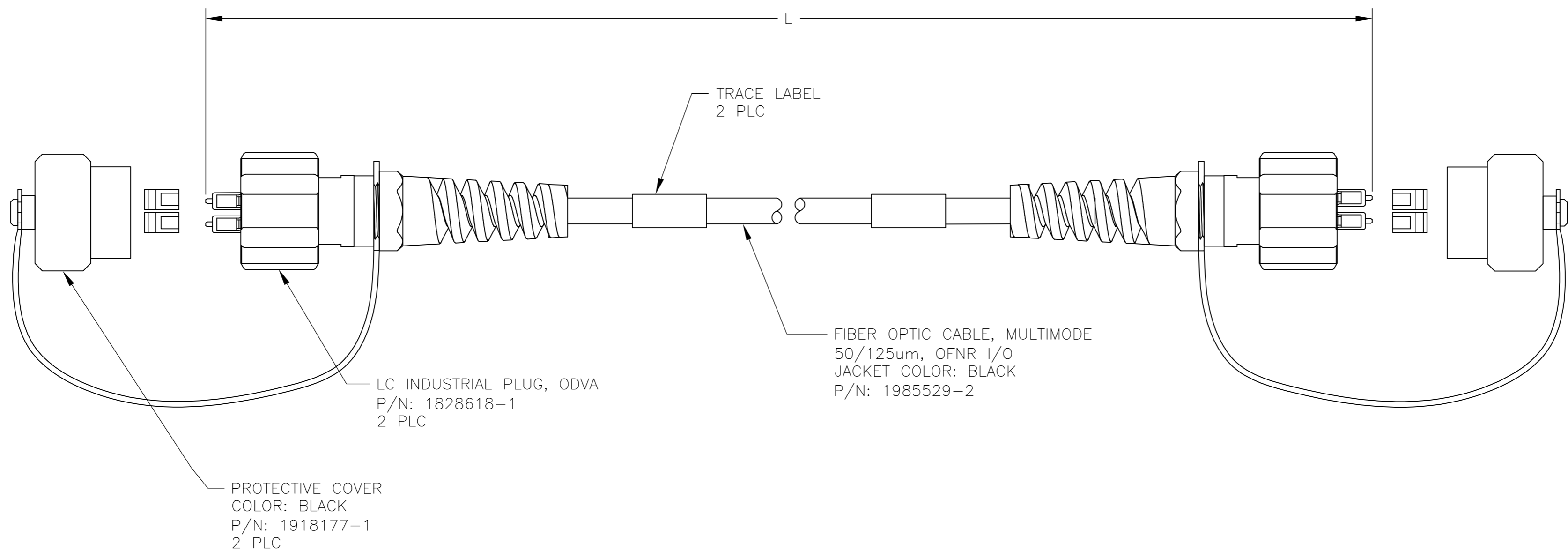


THIS DRAWING IS UNPUBLISHED. RELEASED FOR PUBLICATION  
 © COPYRIGHT - By - ALL RIGHTS RESERVED.

LOC	DIST	REVISIONS			
P	LTR	DESCRIPTION	DATE	DWN	APVD
CE	16				
	D	ECR-14-011707	13AUG2014	HZ	RZ

1. MAXIMUM CONNECTOR INSERTION LOSS IS 0.5dB PLUS CABLE ATTENUATION OF 1.5dB/km AT 1300nm. MEASURE AGAINST A REFERENCE LEAD
2. TEST DATA PROVIDED WITH EACH ASSEMBLY.
3. PRODUCT AND PROCESSING MUST MEET REQUIREMENTS OF TYCO ELECTRONICS STANDARD 230-702.



FIBER PATH DETAIL


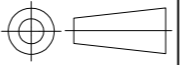
THIS DRAWING IS A CONTROLLED DOCUMENT.		DWN J.DUNCAN 08SEP06	TE Connectivity															
DIMENSIONS: METERS [INCHES]		CHK J.DUNCAN 08SEP06																
TOLERANCES UNLESS OTHERWISE SPECIFIED:		APVD F.McCORKEL 08SEP06	NAME CABLE ASSEMBLY, FIBER OPTIC, 50/125, 2 FIBER BREAKOUT CABLE, SEALED LC DUPLEX (ODVA), BOTH ENDS															
<table border="1"> <tr><td>0 PLC</td><td>± -</td></tr> <tr><td>1 PLC</td><td>± -</td></tr> <tr><td>2 PLC</td><td>± -</td></tr> <tr><td>3 PLC</td><td>± -</td></tr> <tr><td>4 PLC</td><td>± -</td></tr> <tr><td>ANGLES</td><td>± -</td></tr> <tr><td>FINISH</td><td>-</td></tr> </table>		0 PLC	± -	1 PLC	± -	2 PLC	± -	3 PLC	± -	4 PLC	± -	ANGLES	± -	FINISH	-	PRODUCT SPEC -	APPLICATION SPEC -	RESTRICTED TO -
0 PLC	± -																	
1 PLC	± -																	
2 PLC	± -																	
3 PLC	± -																	
4 PLC	± -																	
ANGLES	± -																	
FINISH	-																	
MATERIAL -	WEIGHT -	SIZE A2	CAGE CODE 00779	DRAWING NO 1918819														
CUSTOMER DRAWING		SCALE NTS	SHEET 1 of 2	REV D														

1918819

THIS DRAWING IS UNPUBLISHED. RELEASED FOR PUBLICATION  
 © COPYRIGHT - By - ALL RIGHTS RESERVED.

LOC	DIST	REVISIONS					
		P	LTR	DESCRIPTION	DATE	DWN	APVD
CE	16	-	-	SEE SHEET 1	-	-	-

MAX IL (dB)	L METERS [INCHES]	PART NUMBER
0.61	76.00±0.76 [2992.1±29.9]	7-1918819-6
0.61	75.00±0.75 [2953.0±30.0]	7-1918819-5
0.59	61.00±0.61 [2400.0±24.0]	6-1918819-1
0.57	50.00±0.50 [1969.0±20.0]	5-1918819-0
0.56	40.00±0.40 [1574.80±15.75]	4-1918819-0
0.56	39.00±0.35 [1535.43±13.78]	3-1918819-9
0.56	38.00±0.35 [1496.06±13.78]	3-1918819-8
0.56	37.00±0.35 [1456.69±13.78]	3-1918819-7
0.55	36.00±0.35 [1417.32±13.78]	3-1918819-6
0.55	35.00±0.35 [1377.95±13.78]	3-1918819-5
0.55	34.00±0.30 [1338.58±11.81]	3-1918819-4
0.55	33.00±0.30 [1299.21±11.81]	3-1918819-3
0.55	32.00±0.30 [1259.84±11.81]	3-1918819-2
0.55	31.00±0.30 [1220.47±11.81]	3-1918819-1
0.55	30.00±0.30 [1181.10±11.81]	3-1918819-0
0.54	29.00±0.30 [1141.73±11.81]	2-1918819-9
0.54	28.00±0.30 [1102.36±11.81]	2-1918819-8
0.54	27.00±0.30 [1062.99±11.81]	2-1918819-7
0.54	26.00±0.30 [1023.62±11.81]	2-1918819-6
0.54	25.00±0.30 [984.25±11.81]	2-1918819-5
0.54	24.00±0.30 [944.88±11.81]	2-1918819-4
0.53	23.00±0.30 [905.51±11.81]	2-1918819-3
0.53	22.00±0.30 [866.14±11.81]	2-1918819-2
0.53	21.00±0.30 [826.77±11.81]	2-1918819-1
0.53	20.00±0.30 [787.40±11.81]	2-1918819-0
0.53	19.00±0.30 [748.03±11.81]	1-1918819-9
0.53	18.00±0.30 [708.66±11.81]	1-1918819-8
0.53	17.00±0.30 [669.29±11.81]	1-1918819-7
0.52	16.00±0.30 [629.92±11.81]	1-1918819-6
0.52	15.00±0.15 [590.55±5.91]	1-1918819-5
0.52	14.00±0.15 [551.18±5.91]	1-1918819-4
0.52	13.00±0.15 [511.81±5.91]	1-1918819-3
0.52	12.00±0.15 [472.44±5.91]	1-1918819-2
0.52	11.00±0.15 [433.07±5.91]	1-1918819-1
0.52	10.00±0.15 [393.70±5.91]	1-1918819-0
0.51	9.00±0.15 [354.33±5.91]	1918819-9
0.51	8.00±0.15 [314.96±5.91]	1918819-8
0.51	7.00±0.08 [275.59±3.15]	1918819-7
0.51	6.00±0.08 [236.22±3.15]	1918819-6
0.51	5.00±0.08 [196.85±3.15]	1918819-5
0.51	4.00±0.08 [157.48±3.15]	1918819-4
0.50	3.00±0.05 [118.11±1.97]	1918819-3
0.50	2.00±0.05 [78.74±1.97]	1918819-2
0.50	1.00±0.05 [39.37±1.97]	1918819-1

THIS DRAWING IS A CONTROLLED DOCUMENT.		DWN J.DUNCAN 08SEP06	 TE Connectivity	
DIMENSIONS: METERS [INCHES]		CHK J.DUNCAN 08SEP06		
TOLERANCES UNLESS OTHERWISE SPECIFIED:		APVD F.McCORKEL 08SEP06	NAME CABLE ASSEMBLY, FIBER OPTIC, 50/125, 2 FIBER BREAKOUT CABLE, SEALED LC DUPLEX (ODVA), BOTH ENDS	
		PRODUCT SPEC -	SIZE A2	
MATERIAL		APPLICATION SPEC -	CAGE CODE 00779	DRAWING NO 1918819
FINISH		WEIGHT -	RESTRICTED TO -	SCALE NTS
CUSTOMER DRAWING			SHEET 2 OF 2	REV D