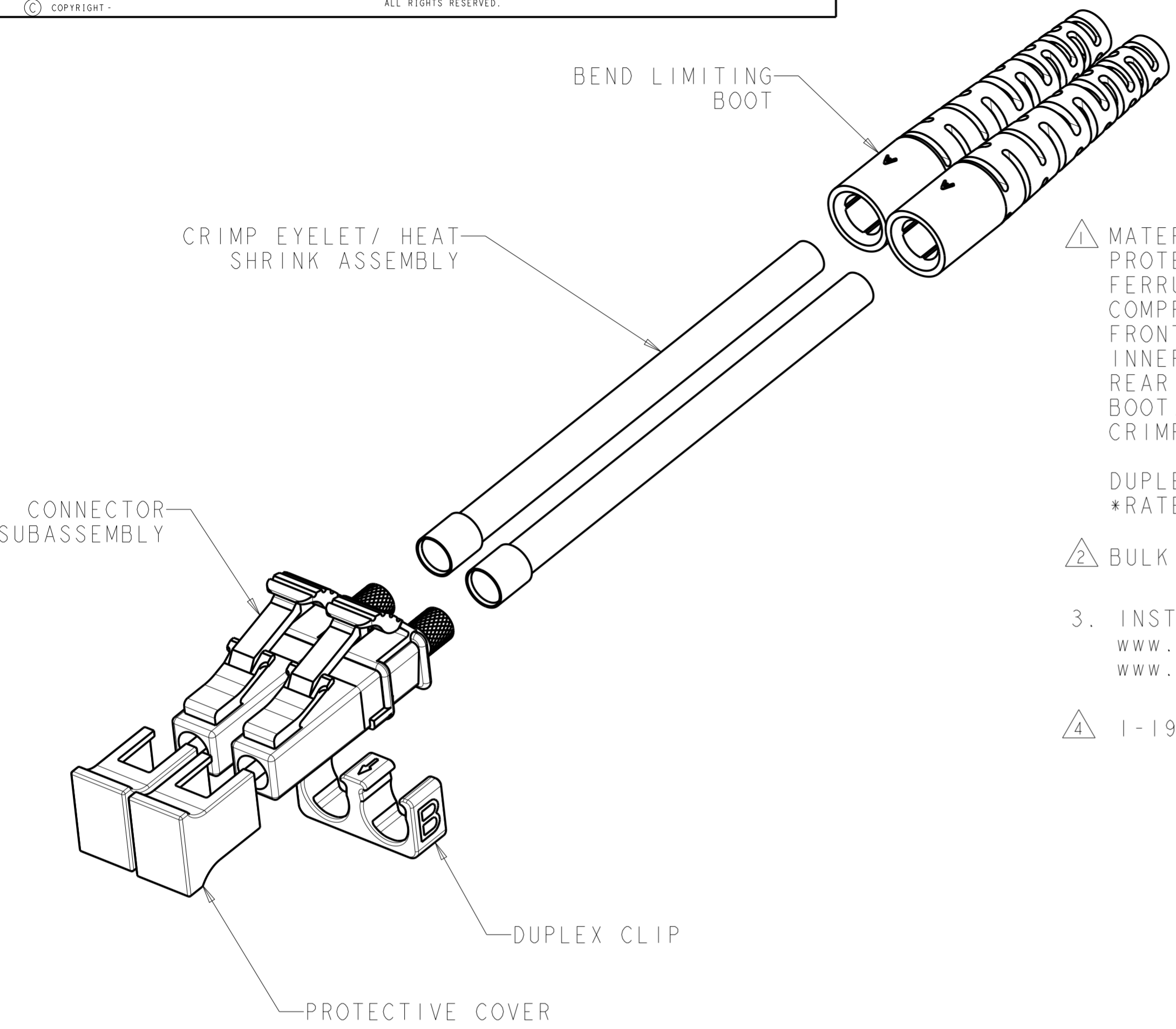


THIS DRAWING IS UNPUBLISHED. RELEASED FOR PUBLICATION  
 © COPYRIGHT - ALL RIGHTS RESERVED.

LOC	DIST	REVISIONS			
P	LTR	DESCRIPTION	DATE	DWN	APVD
HG	-	F	ECR-14-016330	10NOV2014	HZ RZ

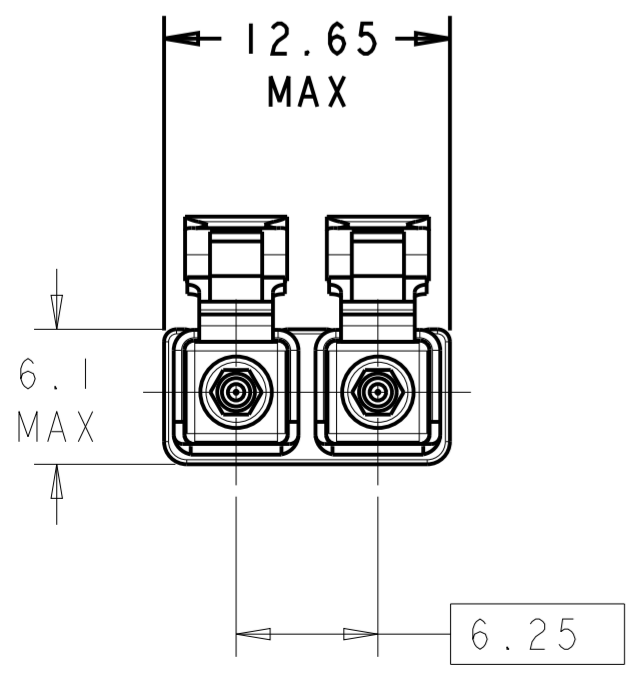
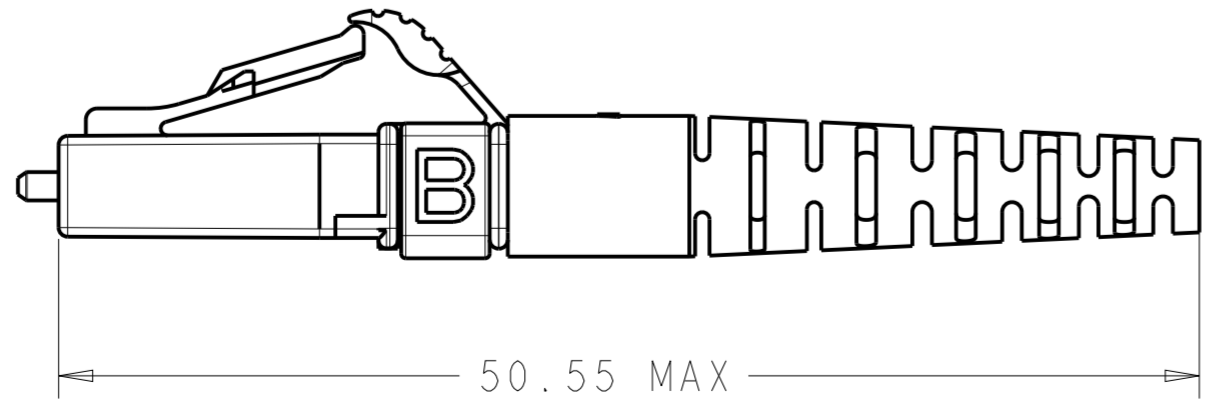
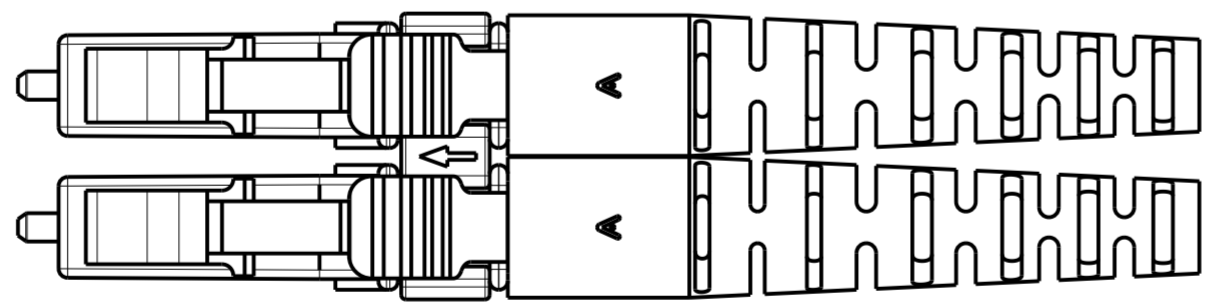


1 MATERIAL  
 PROTECTIVE COVER: TPE, COLOR: BLACK, UL94 HB\*  
 FERRULE SUBASSEMBLY: ZIRCONIA/METAL  
 COMPRESSION SPRING: STAINLESS STEEL  
 FRONT HOUSING: PEI, COLOR: BEIGE, UL94 V-0\*  
 INNER TUBING: PTFE, COLOR: CLEAR, UL VW-1  
 REAR BODY: METAL  
 BOOT: PP, UL94 V-0\*, SEE TABLE FOR COLOR.  
 CRIMP EYELET/HEAT SHRINK ASSY: ALUM. ALLOY, HEAT SHRINK: POLYOLEFIN, UL VW-1, COLOR: WHITE AND YELLOW  
 DUPLEX CLIP: PEI, COLOR: BEIGE, UL94 V-0\*  
 \*RATED AT QUALIFYING THICKNESS.

2 BULK PACKAGED.

3. INSTRUCTION SHEET: 408-8675 AVAILABLE FOR DOWNLOAD AT  
[www.tycoelectronics.com/documents](http://www.tycoelectronics.com/documents) OR  
[www.ampnetconnect.com/foguide](http://www.ampnetconnect.com/foguide).

4 1-1918373-0 DOESN'T CONTAIN CRIMP EYELET/ HEAT SHRINK ASSEMBLIES AND BOOTS.



HEAT SHRINK COLOR	BOOT COLOR	PART NUMBER
-	-	1-1918373-0
WHITE/YELLOW	WHITE	1918373-9
WHITE	BLUE	1918373-8
WHITE/YELLOW	BEIGE	1918373-7
WHITE	BLACK	1918373-6
WHITE	AQUA	1918373-5
WHITE	BLACK	1918373-4
WHITE	AQUA	1918373-3
WHITE	BEIGE	1918373-2
WHITE	BEIGE	1918373-1

THIS DRAWING IS A CONTROLLED DOCUMENT.

DIMENSIONS:	TOLERANCES UNLESS OTHERWISE SPECIFIED:	DWN B. BRIGGS 21APR2006	TE Connectivity
mm	0 PLC ±	CHK D. ROHDE 21APR2006	
	1 PLC ±	APVD D. BAECHTLE 21APR2006	
	2 PLC ±	PRODUCT SPEC	
	3 PLC ±	APPLICATION SPEC	NAME KIT, CONNECTOR, LC, DUPLEX, MM, 1.6-2.0mm JACKET
	4 PLC ±	WEIGHT	SIZE A2
MATERIAL	ANGLES ±	CUSTOMER DRAWING	CAGE CODE -
	FINISH	SCALE 3:1	DRAWING NO. C-1918373
		SHEET 1 OF 1	RESTRICTED TO -
		REV F	